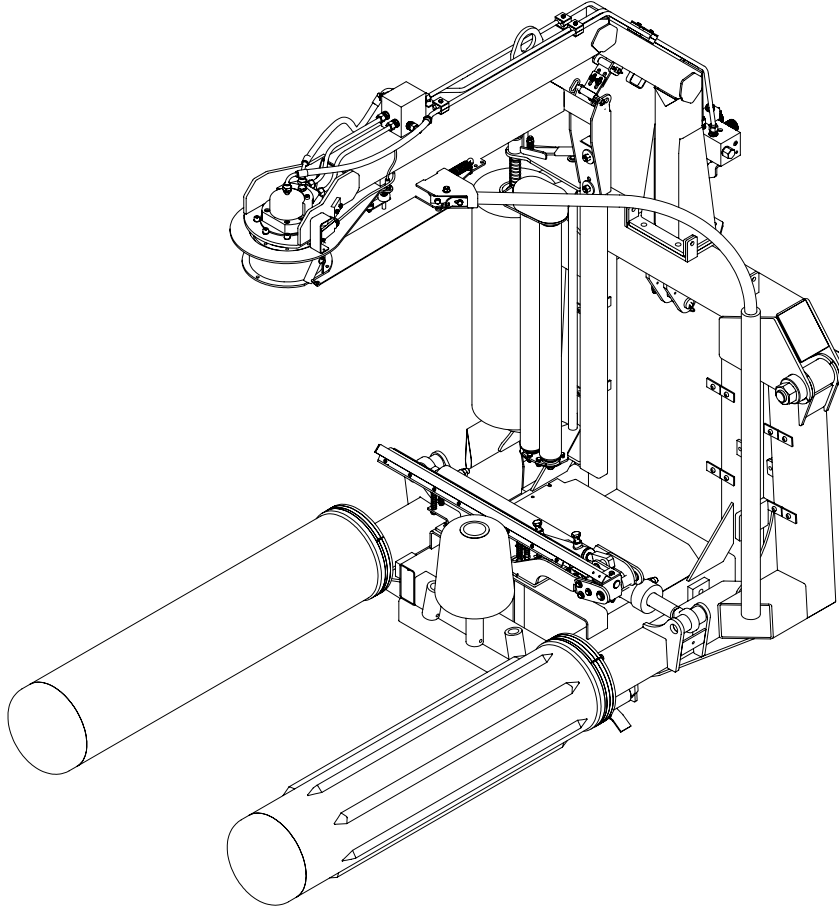


- SPARE PARTS LIST



We recommend that when you need spare parts, you should use only original parts.

When ordering spare Parts use the following:

- Drawings are marked with a position number.
- On the accompanying table you will find the position number, its equivalent part number and description. The entire part number and description must always be relayed on ordering.
- **IMPORTANT!**
When ordering always give the serial number on the wrapping machine and specify the Model of Machine.

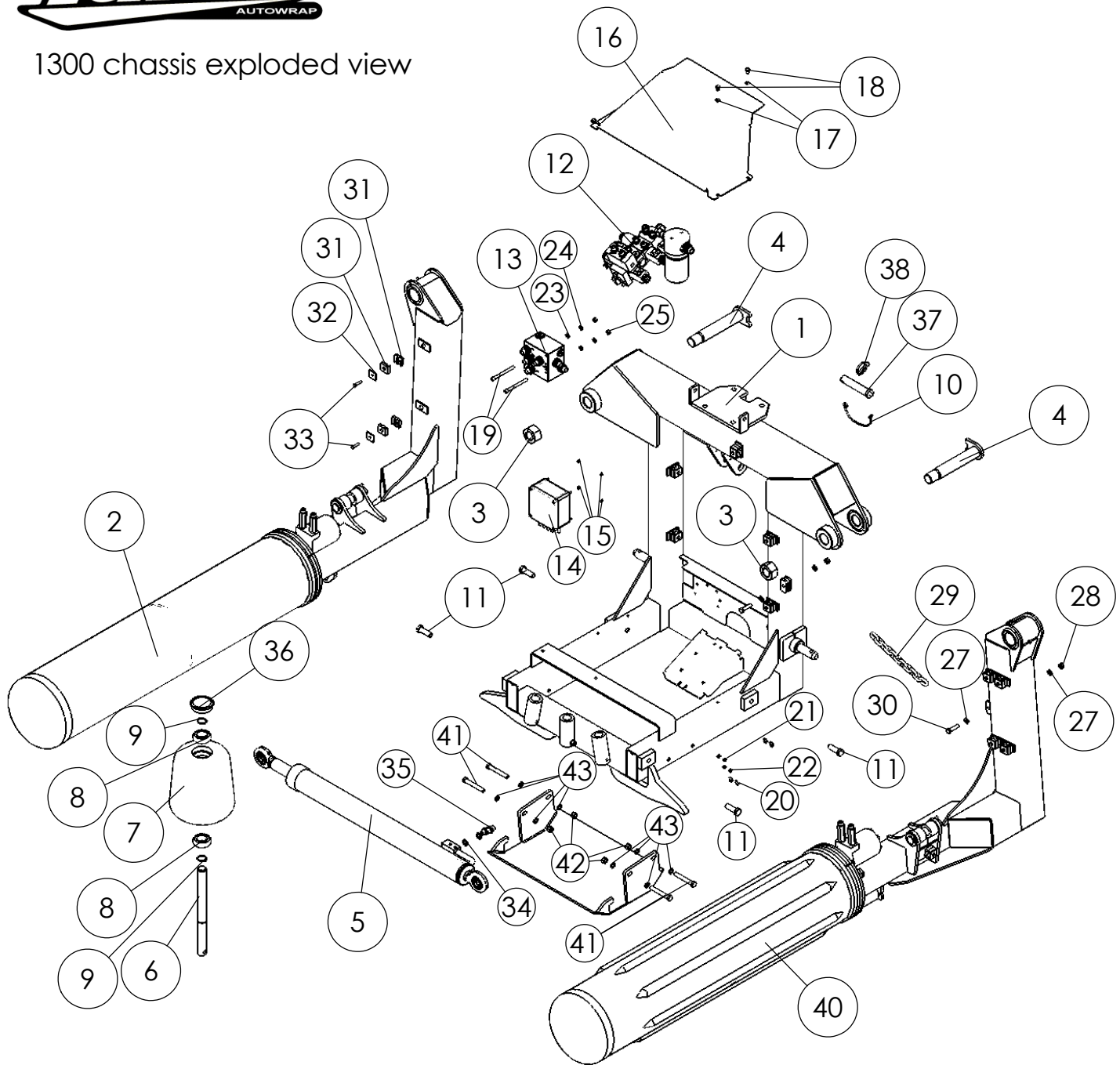
All orders must go through your local Tanco Dealer. To prevent confusion all orders must be faxed or e-mailed to Tanco Autowrap.



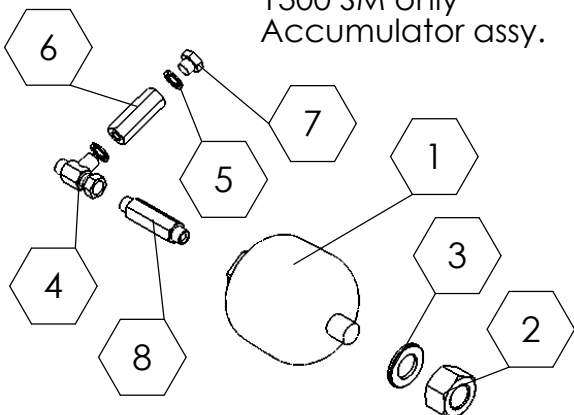
TABLE OF CONTENTS

| | <u>Page:</u> |
|--|--------------|
| 1. Chassis 1300 | |
| 1.1. Chassis 1300 | |
| 1.1.1. Exploded View Main Chassis | 4 |
| 1.1.2. Part List Chassis | 5 |
| 1.1.3. Exploded View Roller Arm Assembly | 6 |
| 1.1.4. Parts List Roller Arm | 7 |
| 2. Cut and Start | |
| 2.1. Exploded View | 8 |
| 2.2. Parts List Cut and Start | 9 |
| 3. Tower | |
| 3.1. Exploded View | 10 |
| 3.2. Tower Parts List | 11 |
| 4. Wrap Arm | |
| 4.1. Exploded View | 12 |
| 4.2. Wrap arm Parts List | 13 |
| 5. Dispenser | |
| 5.1. Dispenser Exploded View | 14 |
| 5.2. Dispenser Parts List | 15 |
| 5.3. Dispenser Roller Insert Exploded | 16 |
| 5.3. Dispenser Roller Insert Parts list | 17 |
| 6. Hydraulics | |
| 6.1. Adjustment block and 1300 S entry Block | 18 |
| 6.2. Adjustment block Parts List | 19 |
| 6.3. 1300 EH Control block exploded | 20 |
| 6.4. 1300 EH Control block Parts list | 21 |
| 6.5. Assembly block exploded | 22 |
| 6.6. Assembly block parts list | 23 |
| 6.7. Hydraulic Hoses 1300 | 24-28 |
| 7. Electrics | |
| 7.1. Junction Box 1300 | 29 |
| 7.2. 1300 EH controller | 30 |
| 7.3. 1300 S controller | 31 |
| 8. Safety Decals | |
| 8.1. Safety Decals | 32 |
| 8.2. Safety Decals parts list | 33 |
| 9. Brackets | |
| 9.1. Attachment brackets | 34 |
| 9.2. Attachment brackets parts list | 35 |
| 9.3. Attachment brackets | 36 |
| 9.4. Attachment brackets parts list | 37 |

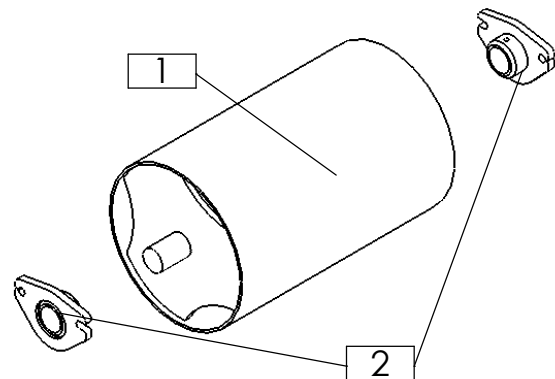
1300 chassis exploded view



1300 SM only
Accumulator assy.



Ground Roller (Optional)





1300 chassis part list

| ITEM NO. | PartNo | DESCRIPTION | QTY. |
|----------|----------------------------------|----------------------------|------|
| 1 | | 1300 Chassis | 1 |
| 2 | Rollerarm right (compl.) | Triangle Bracket | 1 |
| 3 | 34235400 | M36 HEX | 2 |
| 4 | B20-51 | main pin | 2 |
| 5 | 34001485-TAN | Cylinder | 1 |
| 6 | 34130258 | Plastic Roller Shaft | 1 |
| 7 | H20-78 | Rubber Roller | 1 |
| 8 | 34320508 | Support Roller Bearing | 2 |
| 9 | 34240708 | Circlip (E30) | 2 |
| 10 | 34105635?? | 3 point chain | 1 |
| 11 | 34111500 | Bolt M16 x 50mm | 4 |
| 12 | 35810012 | Inlet Conrol valve | 1 |
| 13 | 1808350 | assembly block 006 | 1 |
| 14 | 1009001 | RDS Junction Box | 1 |
| 15 | Z23-04 | M4 Locknut | 4 |
| 16 | 1301110 | Valve cover | 1 |
| 17 | Z12-02-08 | M8 Spring Washer | 4 |
| 18 | Z26-081S | M8 x 12mm bolt | 4 |
| 19 | Z16-6-08 | M8 x 100 Allen Head | 2 |
| 20 | Z26-019S | Bolt M6 x 16 | 4 |
| 21 | Z10-02-06 | Washer M6 | 4 |
| 22 | Z12-02-06 | M6 Spring Washer | 4 |
| 23 | 34302121 | M8 Flat washer | 2 |
| 24 | Z10-02-08 | Washer M8 | 2 |
| 25 | 34230400 | M8 Nut | 2 |
| 26 | Z26-0671B | M10 x 65 hex bolt | 1 |
| 27 | 34302122 | M10 Washer | 5 |
| 28 | 34230900 | M10 Locknut | 3 |
| 29 | 34811343 | 11 links chain | 1 |
| 30 | 34110017 | M10 x 45 hex bolt | 2 |
| 31 | 34260110 | Plastic Pipe Clamp | 22 |
| 32 | 34260167 | Pipe Clamp Tops | 11 |
| 33 | Z26-022S | M6 x 30 Bolt | 11 |
| 34 | Z01-04-02 | 3/8" BSP Dowty Washer | 2 |
| 35 | Z01-06-06-06 | 3/8" BSP Male/Male Adaptor | 2 |
| 36 | 34450447 | Platic Cap | 1 |
| 37 | Z29-0671B | top link pin | 1 |
| 38 | 34200201 | linch pin | 1 |
| 39 | Pipe clamp(complete) | Triangle Bracket | 2 |
| 40 | Rollerarm left without subassies | Roller arm | 1 |
| 41 | Z26-091B | M12 x 90 Hex Bolt | 4 |
| 42 | 34231300 | M12 Locknut | 4 |
| 43 | 1808168 | M12 Washer | 8 |
| 44 | 1301360 | Ground Skid | 1 |

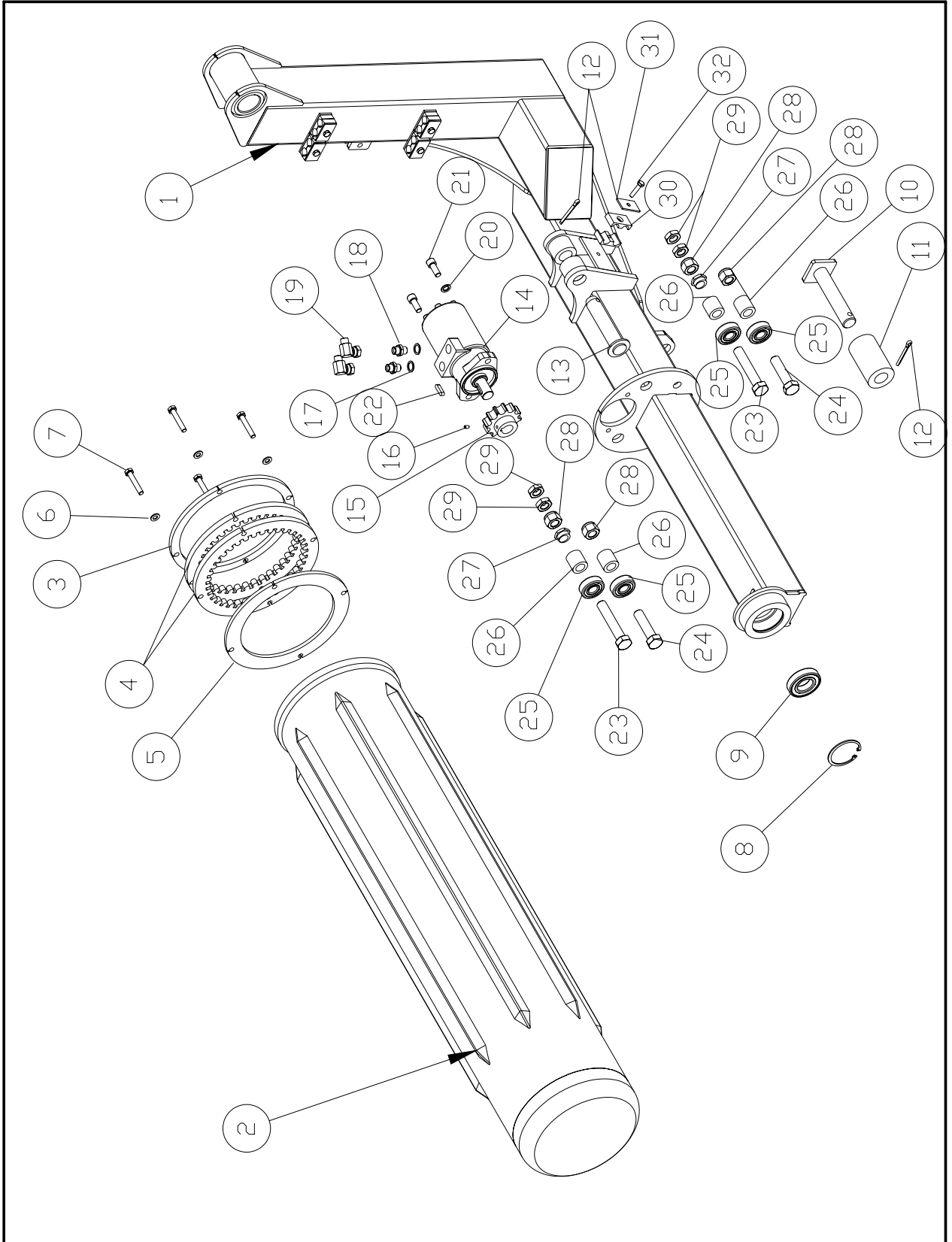
1300 SM Accumulator assy.

| ITEM NO. | PartNo | DESCRIPTION | QTY. |
|----------|-------------|-----------------------------|------|
| 1 | | | 1 |
| 2 | Z001-243 | M28x 1.5 Pitch Hex Nut | 1 |
| 3 | Z10-02-30 | 1" 1/8 Heavy Washer | 1 |
| 4 | Z01-12-0022 | Tee MMF 3/8" | 1 |
| 5 | Z01-04-02 | 3/8" BSP Dowty Washer | 3 |
| 6 | Z01-03-0172 | 3/8" non-return valve | 1 |
| 7 | Z01-06-NB06 | 3/8" Male Blank | 1 |
| 8 | | Fitting 3/8" by 3/8" (long) | 1 |

Ground Roller (Optional)

| ITEM NO. | PartNo | DESCRIPTION | QTY. |
|----------|---------|----------------|------|
| 1 | 1301310 | Ground Roller | 1 |
| 2 | 1301350 | Roller Bearing | 2 |

1.1.3. Roller arm



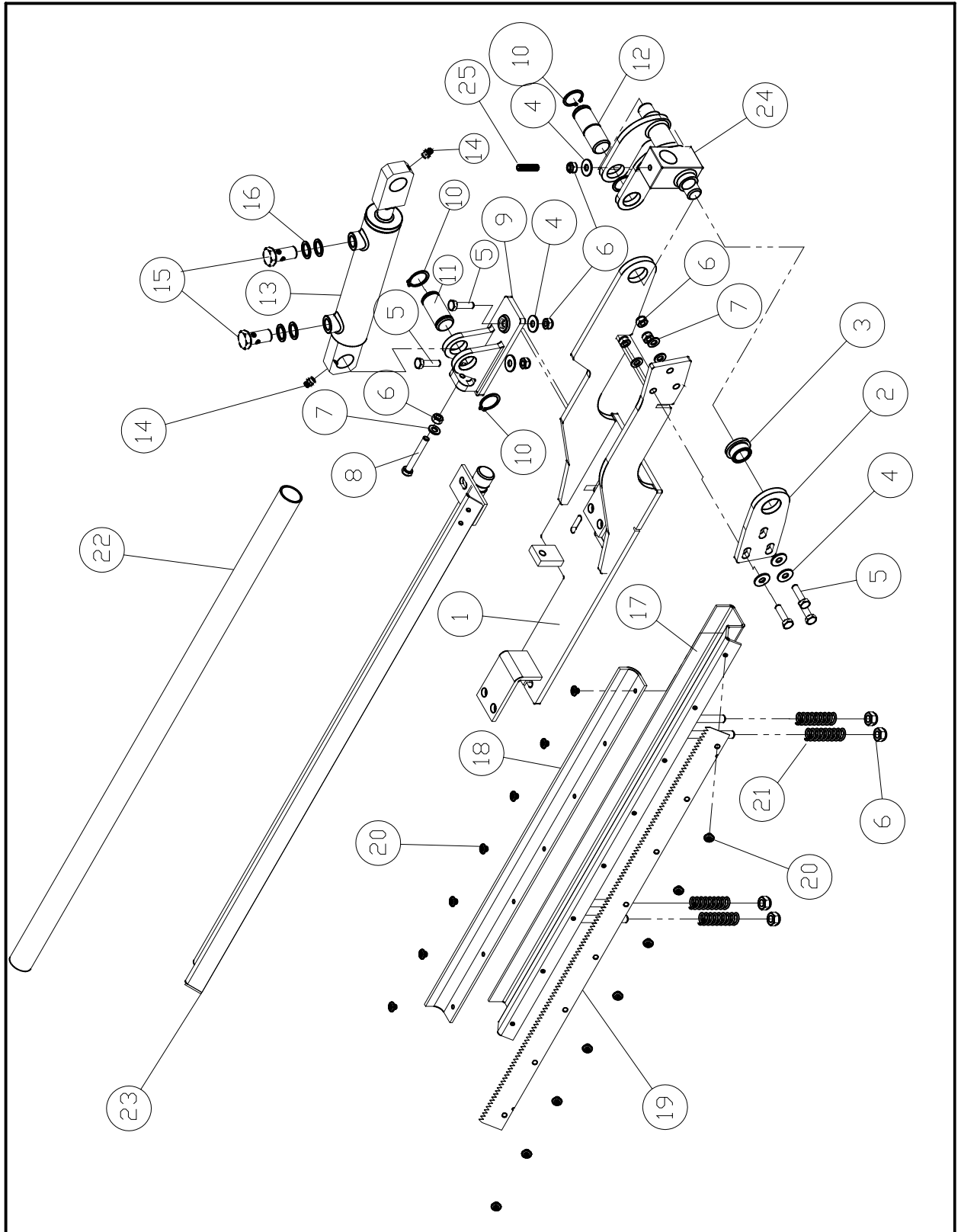


Tanco Auto wrap 1300
Spare parts list

1.1.4. Part List Roller Arm

| ITEM | PART NO. | QUANTITY | DESCRIPTION | Dimension |
|------|--------------|----------|---------------------------|-----------|
| 1 | 34611480 | 1 | Roller arm Left | |
| | 34611479 | 1 | Roller Arm Right | |
| 2 | 34911049 | 1 | Roller Grippped | |
| | 34911048 | 1 | Roller- non Grippped | |
| 3 | 34360523 | 2 | Shield Ring | |
| 4 | 1302001 | 4 | Drive Ring | 12.5 mm |
| 5 | 34360523 | 2 | Middle Ring | |
| 6 | Z12-02-10 | 8 | M 10 Spring washer | |
| 7 | 34110018 | 8 | M10 x 60 Bolt | |
| 8 | 34240100 | 2 | Cir Clip | I-72 |
| 9 | 34321521 | 2 | Roller Support Bearing | |
| 10 | 34105719 | 2 | Pin for Support Roller | |
| 11 | 34730054 | 2 | Support Roller | |
| 12 | 34220400 | 2 | Split Pin | |
| 13 | 34105725 | 2 | Pin for Squeeze cylinder | |
| 14 | 1308800 | 2 | 400 cc Drive motor | |
| 14 b | 1308801 | * | Seal kit for Motor | |
| 15 | 34810042 | 2 | Drive Gear | |
| 16 | 34119081 | 2 | M8 Grub Screw | |
| 17 | Z01-04-03 | 4 | 1/2" Dowty Washers | |
| 18 | Z01-06-06-08 | 4 | 1/2"-3/8" Adaptors | |
| 19 | Z01-14-015 | 4 | 3/8"-3/8" M-F Elbows | |
| 20 | Z12-02-12 | 4 | M 12 Spring Washer | |
| 21 | 34110029 | 4 | M 12 Allen Headed bolt | M12 x 30 |
| 22 | 34270111 | 2 | 8 x 7 x 35 Key steel | |
| 23 | 34112110 | 4 | M 20 x 110 Bolt | |
| 24 | 34119182 | 4 | M20 x 80 Bolt | |
| 25 | 34321529 | 8 | Bearing | 361204 R |
| 26 | 34105718 | 8 | Spacer | 6206 2RS |
| 27 | 34351006 | 4 | Eccentric Boss | A 30 |
| 28 | 34233000 | 8 | M 20 Locknut | |
| 29 | 34232901 | 8 | M 20 Half nuts | |
| 30 | Z01-24-2618 | 10 | Plastic Hose Clamps (set) | 18 mm |
| 31 | Z01-24-28 | 10 | Steel Top Clamp | |
| 32 | Z26-042B | 10 | M8 * 35 Bolt | |

2.1. Cut & Start





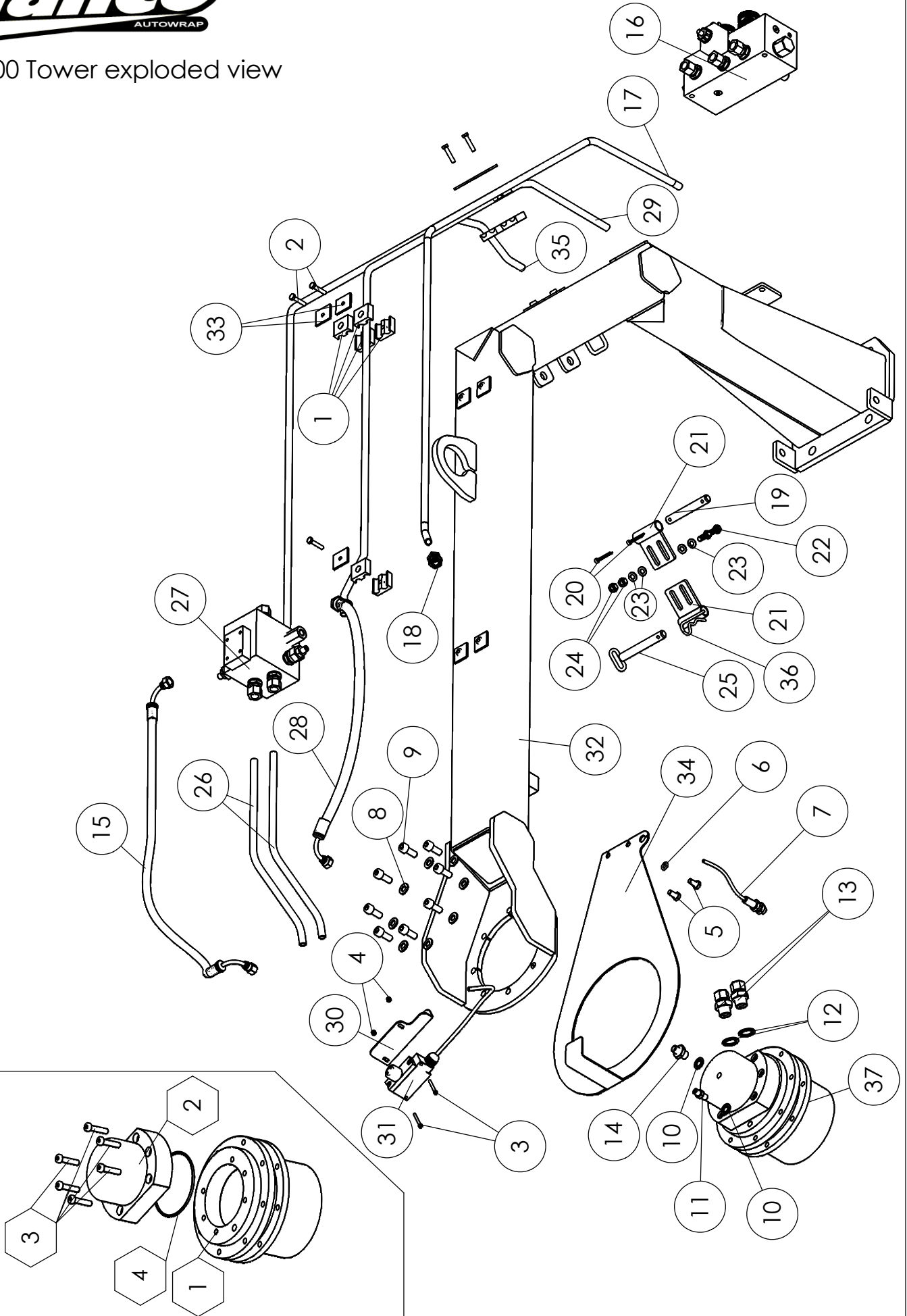
Tanco Auto wrap 1300
Spare parts list

2.2. Cut and Start Parts List

| ITEM | PART NO. | QUANTITY | DESCRIPTION | Dimension |
|------|------------|----------|-----------------------|--------------------|
| | 34920607 | | C&S complete | |
| 1 | 34670195 | 1 | C&S Base Frame | |
| 2 | 34920597 | 1 | Fastening bracket | |
| 3 | 34321518 | 1 | Brass Bearing | 20/28 x 16 -35 x 4 |
| 4 | Z11-02-081 | 4 | M 8 Mud Washer | |
| 5 | 34112700 | 7 | M8 x 30 bolt | |
| 6 | 34230500 | 8 | M8 Locknut | |
| 7 | 34302121 | 8 | M 8 Flat Washer | |
| 8 | 34110003 | 1 | M 8 Bolt | M8 x 45 |
| 9 | 34920525 | 1 | Pivot Casting Base | |
| 10 | 34240704 | 4 | Cir clip | A 25 |
| 11 | 34105631 | 1 | Bottom Pin for C&S | |
| 12 | 34105632 | 1 | Top Pin for C&S | 25 mm |
| 13 | 1308151 | 1 | C&S Cylinder | 40/20 |
| 13a | 34043800 | 1 | Seal Kit for cylinder | |
| 14 | Z39-66 | 2 | M6 Grease nipple | |
| 15 | Z01-21-06 | 2 | 3/8" Banjo Bolt | |
| 16 | Z01-04-02 | 4 | 3/8" Dowty washer | |
| 17 | 34920585 | 1 | Pressure Plate | |
| 18 | 34450428 | 1 | Rubber strip | |
| 19 | 34911039 | 1 | Knife blade | |
| 20 | 34150007 | 15 | Pop Rivet | |
| 21 | 34430301 | 4 | Spring | |
| 22 | 34480009 | 1 | Plastic sleeve | 32.2 x 1.9 |
| 23 | 34611422 | 1 | Cutter Arm | |
| 24 | 34920524 | 1 | Pivot Casting Top | |
| 25 | 34119142 | 1 | Stud Screw | M8 x 35 |



1300 Tower exploded view





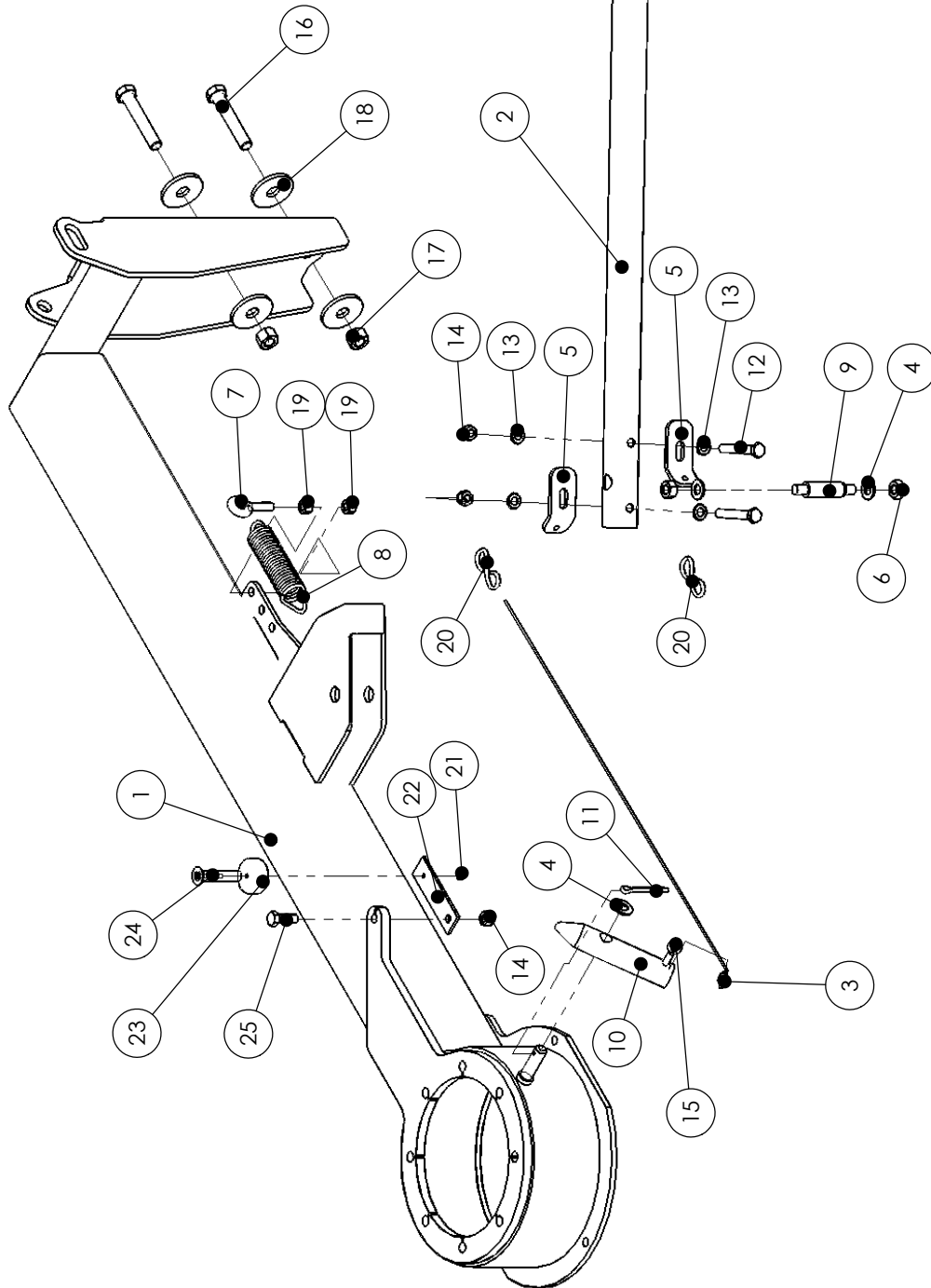
1300 Tower part list

| ITEM NO. | PartNo | DESCRIPTION | QTY. |
|----------|--------------|-----------------------------------|------|
| 1 | 34260110 | Plastic Pipe Clamp | 10 |
| 2 | Z26-022S | M6 x 30 Bolt | 5 |
| 3 | 34119078 | M4 x 40 Bolt | 2 |
| 4 | Z23-04 | M4 Locknut | 2 |
| 5 | Z26-038S | Bolt M8 x 16 | 2 |
| 6 | Z12-02-08 | M8 Spring Washer | 2 |
| 7 | 1309203 | RDS Sensor 4m | 1 |
| 8 | 34302122 | M10 Washer | 8 |
| 9 | M22LK17 | M10 x 25mm Socket Head Cap Screw | 8 |
| 10 | Z01-04-01 | 1/4" BSP Dowty Washer | 2 |
| 11 | 1308620 | M10 - 1.8" BSP Male/Male Adaptor | 1 |
| 12 | Z01-04-03 | 1/2" BSP Dowty Washer | 2 |
| 13 | 1308506 | 1/2" x 12L Adaptor | 2 |
| 14 | Z01-06-04-06 | 1/4" x 3/8" BSP Male/Male Adaptor | 1 |
| 15 | 1308169 | 1/4" Brake Hose | 1 |
| 16 | 1508020 | adjustment block | 1 |
| 17 | 1308553 | 12L Pipe (Tank) | 1 |
| 18 | 34061899L | 3/8" x 12L Adaptor | 1 |
| 19 | 34105677 | Retainer Hinge Pin | 1 |
| 20 | 34220200 | Split Pin (4 x 50) | 2 |
| 21 | 34251440 | Wrap arm lock | 2 |
| 22 | Z26-040S | M8 x 25 Hex Set | 2 |
| 23 | Z10-02-08 | Washer M8 | 4 |
| 24 | Z23-08 | Nut M8 | 2 |
| 25 | 34105676 | Wrap Arm Locking Pin | 1 |
| 26 | 1303010 | 12L Hydraulic Pipe (Short) | 2 |
| 27 | 1308150 | Tower Valve Block | 1 |
| 28 | 1308501 | 3/8" Hose 520 long | 1 |
| 29 | 1308553 | 12L Pipe (feed) | 1 |
| 30 | 1303520 | Switch mount | 1 |
| 31 | 34950179 | emergency switch | 1 |
| 32 | 1303006 | Tower 1300 2006 | 1 |
| 33 | 34260107 | Pipe Clamp Tops | 5 |
| 34 | 1303512 | Slide plate | 1 |
| 35 | 1308552 | 12L Pipe (Return) | 1 |
| 36 | Z36-02 | 4 mm R-Clip | 1 |
| 37 | 1308600 | Motor & Gearbox complete | 1 |

Motor & Gearbox Assembly

| ITEM NO. | PartNo | DESCRIPTION | QTY. |
|----------|-------------|------------------------------|------|
| 1 | 1308601 | Gearbox CTM 1016 | 1 |
| 2 | 1308606 | BRZL Motor | 1 |
| 3 | Z13-6-08x35 | M8 x 35mm socket headed bolt | 6 |
| 4 | 1308604 | Motor Seal Kit | 1 |
| all | 1308600 | Complete Motor | 1 |

4.1 Wrap Arm: Exploded View

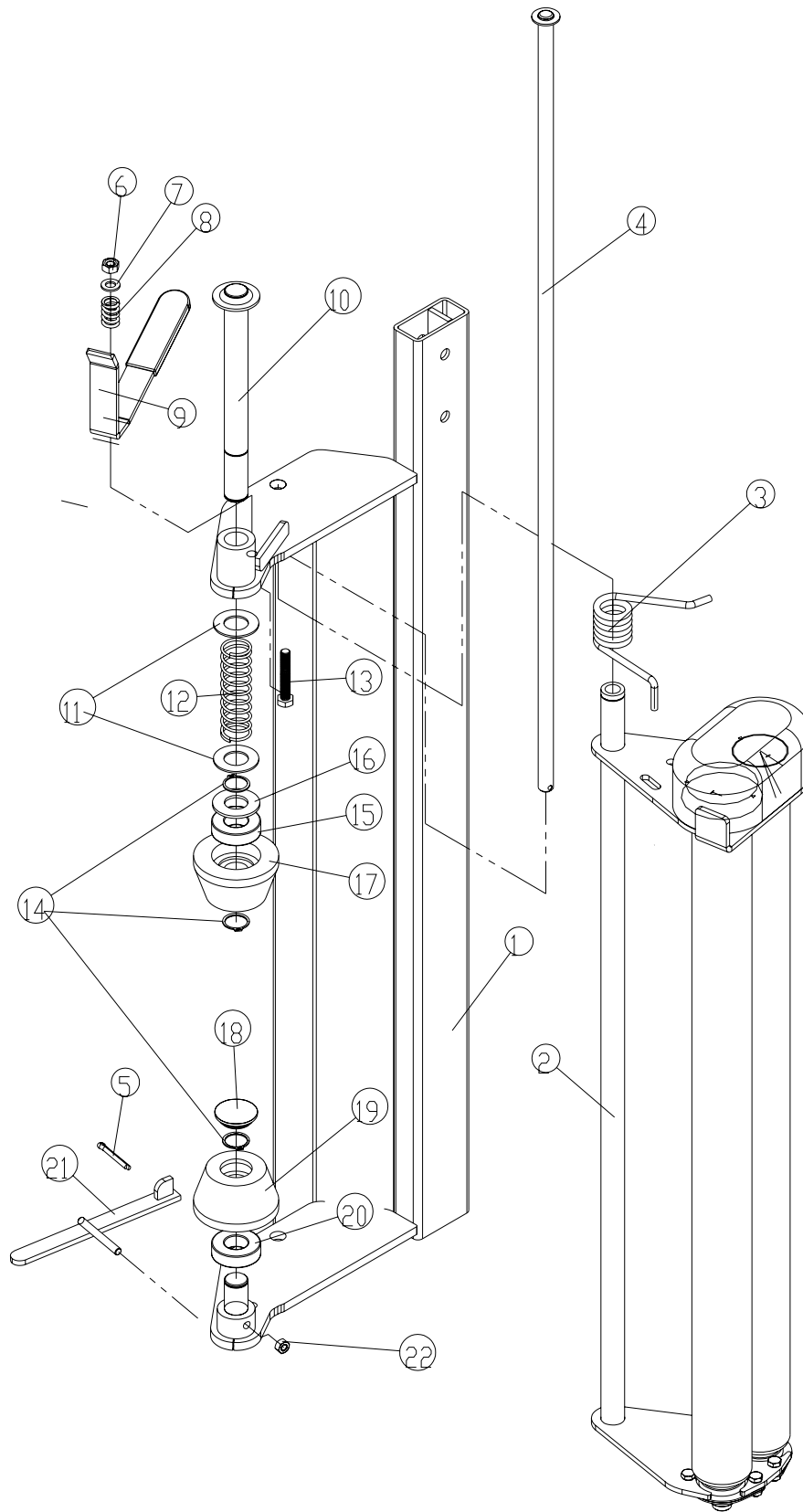




4.2. Wrap Arm Parts List

| ITEM | PART NO. | QUANTITY | DESCRIPTION | Dimension |
|------|----------|----------|-------------------------|------------------|
| 1 | 1304000 | 1 | Wrap Arm | |
| 2 | 34611357 | 1 | Emergency stop arm | |
| 2a | 34480020 | 1 | Foam Padding | |
| 3 | 34911102 | 1 | Releasing Wire | |
| 4 | 34302122 | 3 | Washer | 10 mm |
| 5 | 34670152 | 1 | Spring Bracket | |
| 6 | 34230900 | 2 | Locknut | M10, DIN 985 |
| 7 | 34119043 | 1 | Eye Bolt | M8 x 25, DIN 933 |
| 8 | 34430300 | 1 | Spring | |
| 9 | 34105651 | 1 | Hinge Bolt | |
| 10 | 34911101 | 1 | Rocker Arm | 25 mm Nylon |
| 11 | 34220200 | 1 | Split Pin | 4 x 36 |
| 12 | Z26-047B | 1 | M 8 Bolt | M8 x 60, DIN 933 |
| 13 | 34302121 | 2 | Washer | 8 mm |
| 14 | 34230500 | 1 | Locknut | M8, DIN 984 |
| 15 | 34120311 | 1 | Hinge Screw | M6 x 45 |
| 16 | 34117500 | 2 | M12 x 70 Bolt | |
| 17 | 34231300 | 2 | M12 Locknut | |
| 18 | 34302135 | 4 | M12 Heavy Washer | 13 x 40 x 2 |
| 19 | 34230400 | 1 | M8 Nut | |
| 20 | 34660111 | 1 | S Hook | 35 mm x 4 |
| 21 | Z23-06 | 1 | M6 locknut | |
| 22 | 1304001 | 1 | Magnet mounting bracket | SS |
| 23 | 1309201 | 1 | RDS Magnet | |
| 24 | Z26-022S | 1 | M6 x 30 Bolt | |
| 25 | Z26-040S | 1 | M8 x 25 SET | |

5.1. Dispenser: Exploded View



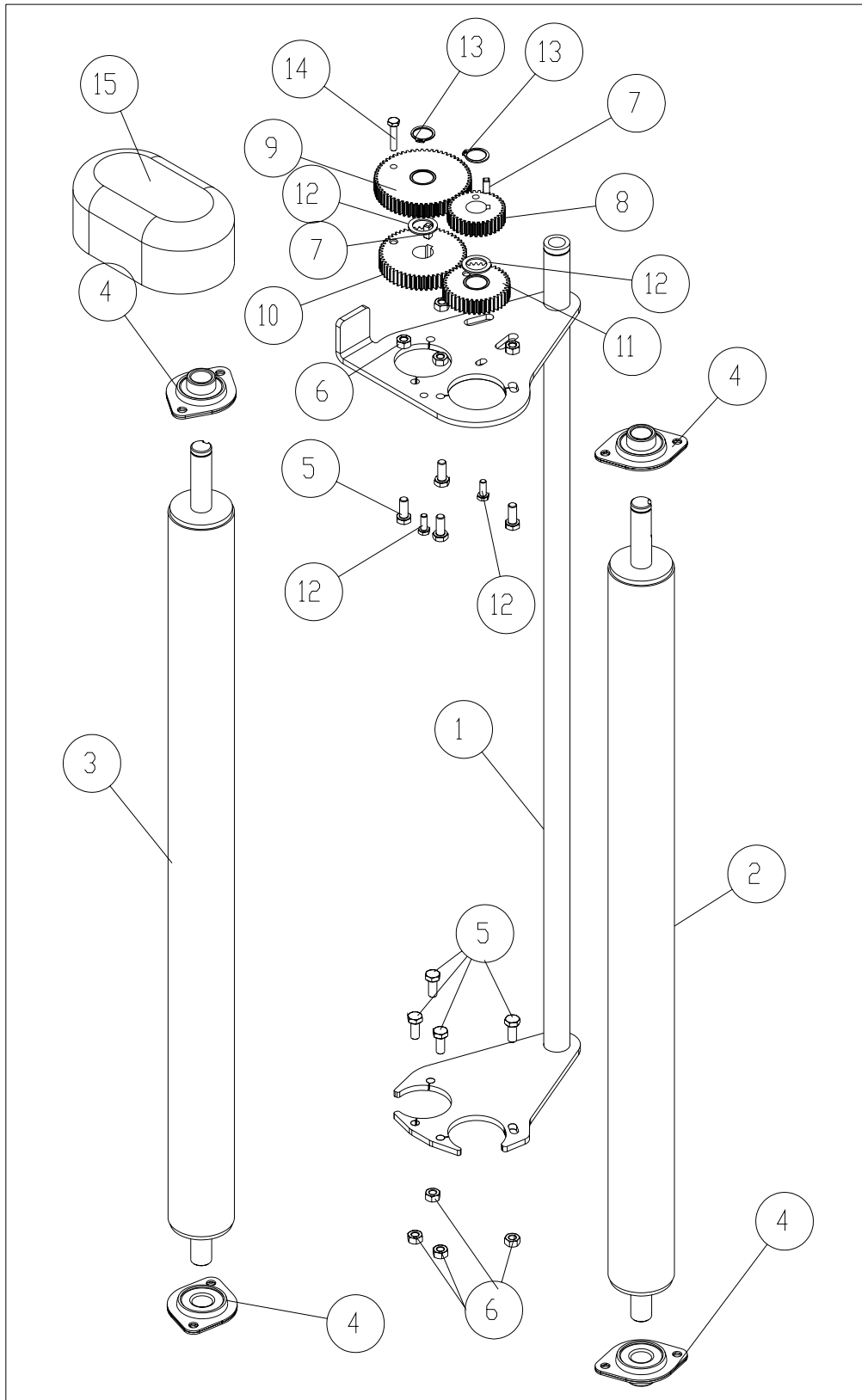


Tanco Auto wrap 1300
Spare parts list

5.2. Dispenser Parts list

| ITEM | PART NO. | QUANTITY | DESCRIPTION | Dimension |
|------|----------|----------|-----------------------------|-----------|
| | 1505000 | 1 | Complete Dispenser | |
| 1 | 1505001 | 1 | Dispenser Frame | |
| 2 | 1305100 | 1 | Roller sub-assembly | |
| 3 | 1305034 | 1 | Torsional spring | |
| 4 | 1305030 | 1 | Pivot pin | |
| 5 | 1305033 | 1 | Split pin | |
| 6 | Z23-10 | 1 | M.10 Locknut | |
| 7 | 34302122 | 2 | M 10 flat washer | |
| 8 | 1305027 | 1 | Top latch Spring | |
| 9 | 1305026 | 1 | Top latch | |
| 10 | 1305022 | 1 | Top shaft | |
| 11 | 1305020 | 2 | 25mm dia. flat washer | |
| 12 | 1305021 | 1 | Top shaft Spring | |
| 13 | 1305025 | 1 | M10 x 60 Hex bolt | |
| 14 | 1305017 | 3 | Cir-clip for shaft OD 25 mm | |
| 15 | 34302122 | 2 | M 10 flat washer | |
| 16 | 1305020 | 2 | 25mm dia. flat washer | |
| 17 | 1305019 | 1 | Upper cone | |
| 18 | 1305018 | 1 | Plastic cap 1 1/4" | |
| 19 | 1305016 | 1 | Bottom cone | |
| 20 | 1305015 | 2 | Bearing | |
| 21 | 1305010 | 1 | Dispenser latch bottom | |
| 22 | Z23-08 | 1 | M.8 Locknut | |

5.3. Dispenser Roller Insert: Exploded



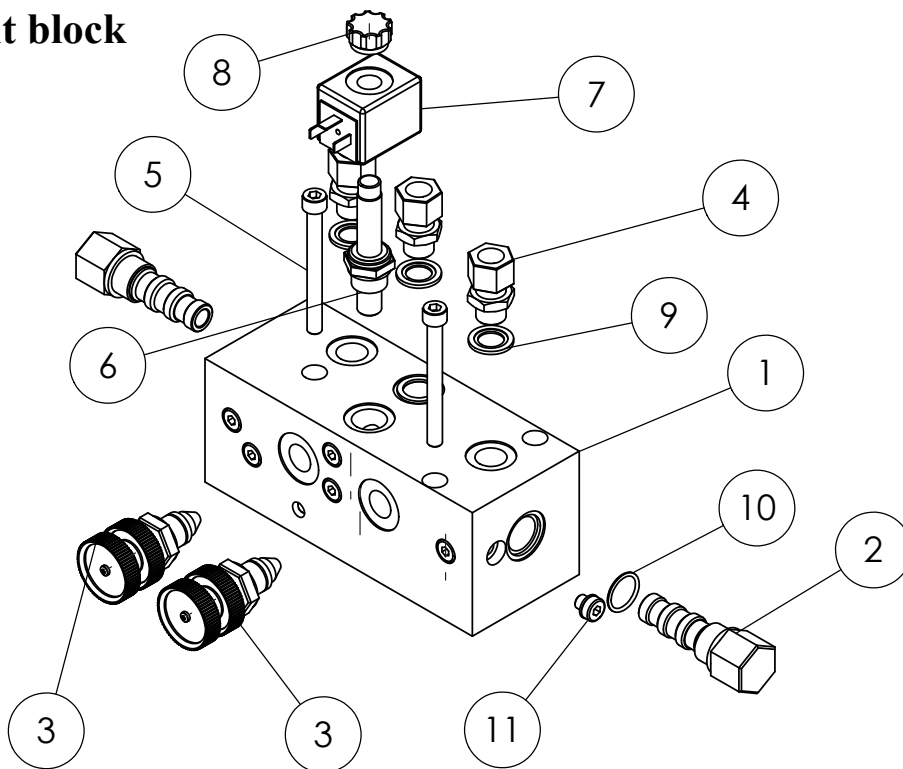


5.4. Dispenser Roller insert: Parts list

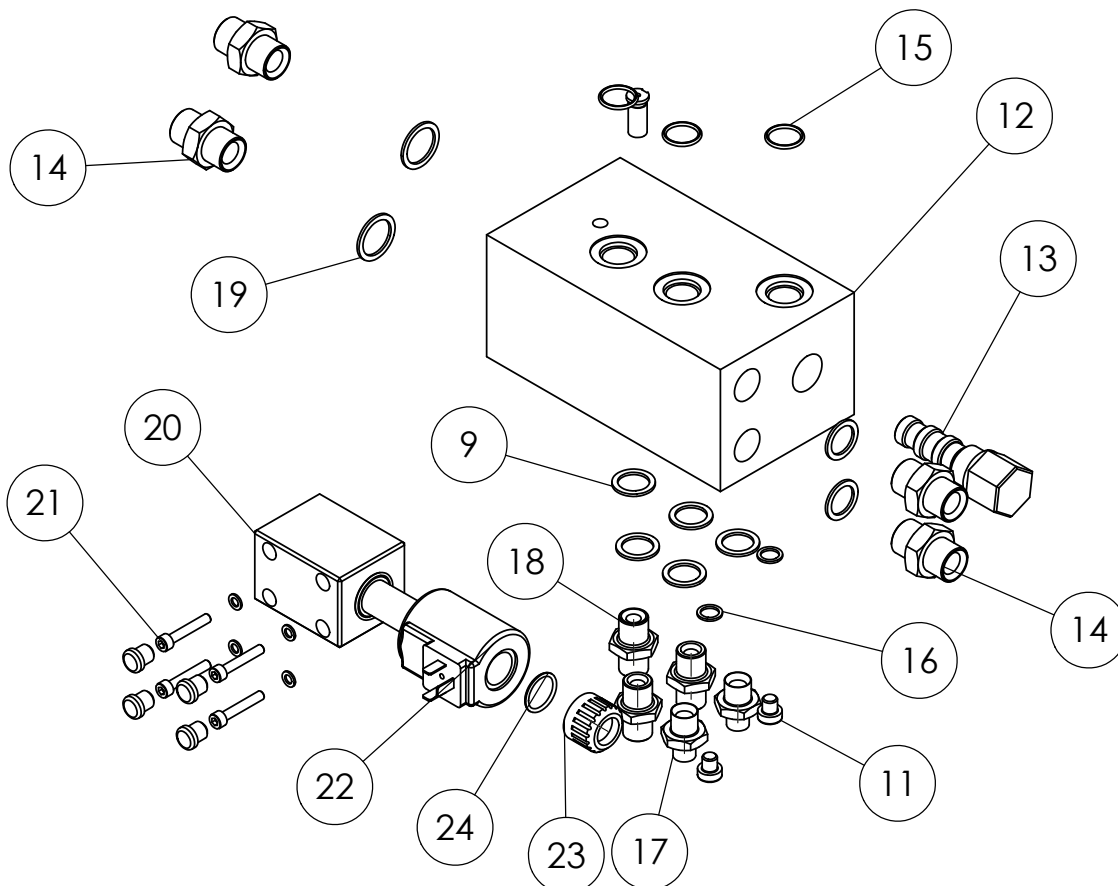
| ITEM | PART NO. | QUANTITY | DESCRIPTION | Dimension |
|------|----------|----------|----------------------------------|---------------|
| | 1305100 | 1 | Dispenser Roller insert complete | |
| 1 | 1305110 | 1 | Insert Frame | |
| 2 | 1305120 | 1 | Inner Roller | |
| 3 | 1305121 | 1 | Outer Roller | |
| 4 | 1305122 | 4 | Bearing | RHP SLF20A |
| 5 | Z26-039S | 8 | M8 * 20 Bolt | |
| 6 | Z23-08 | 8 | M8 Locknut | |
| 7 | 1305123 | 2 | 6 mm square key steel | 15 mm long |
| 8 | 1305101 | 1 | 60 t gear | 16 mm |
| 9 | 1305102 | 1 | 35 t gear | 16 mm |
| 10* | 1305105 | 1 | 54 t gear | 16 mm |
| 11* | 1305106 | 1 | 41 t gear | 16 mm |
| 10 | 1305103 | | 58 t Gear | 16 mm |
| 11 | 1305104 | | 37 t Gear | 16 mm |
| 13 | 1305124 | 2 | 20 mm external cir-clip | |
| 11 | 1305125 | 1 | Gearbox cover | |
| 12 | Z26-018S | 2 | M6 * 16 mm bolt | |

* Indicates optional 33 % Stretch gears

6.1 Adjustment block



1300 S Entry Block





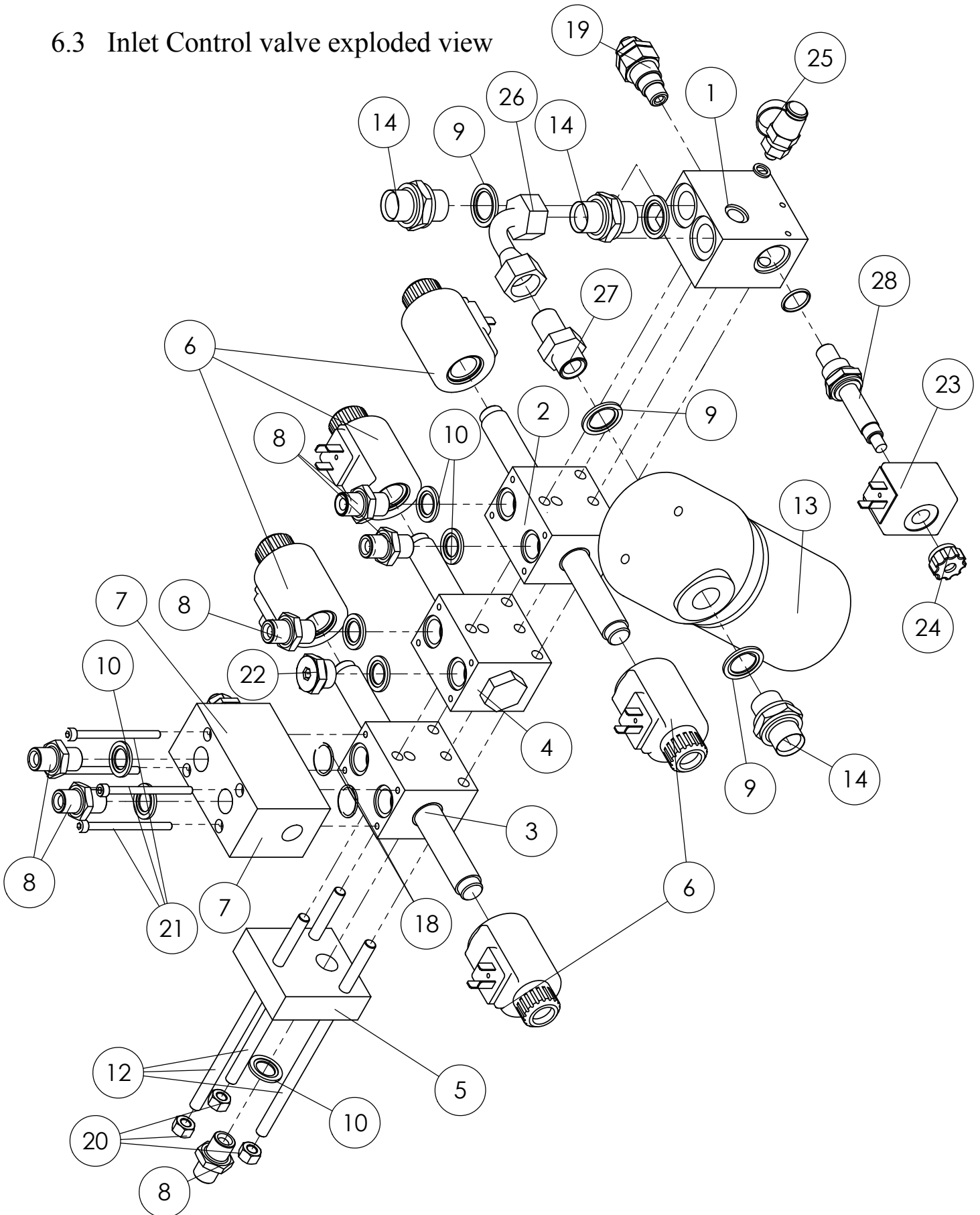
Tanco Auto wrap 1300
Spare parts list

6.2 Adjustment Block and 1300 S Inlet Block Parts list

| ITEM NO. | PART NUMBER | QTY. | DESCRIPTION | DIMENSION |
|---------------|--------------------|------|---------------------------------|-----------|
| | 1508000 | | Adjusting block complete | |
| | 1308260 | | 1300 S Adjusting block complete | |
| 2 | 1308207 | 1 | Adjusting block empty | |
| 2 | 1308251 | 2 | Pressure compensator valve | |
| 3 | 1308252 | 2 | Flow control valve | |
| 4 | 34061899 | 3 | Fitting 3/8" to 12 L | |
| 5 | 34119028 | 3 | M8 x 80 socket headed bolt | |
| 6 | 1508002 | 1 | 2-Speed Valve | |
| 6* | 1308261 | 1 | N/Closed valve | |
| 7 | 1308202 | 1 | 12 V Coil for 2-Speed/Master | |
| 8 | 1308205 | 2 | Plastic nut for 2-Speed/Master | |
| 9 | Z01-04-02 | 8 | 3/8"BSP Dowty Washer | |
| 10 | 1308219 | 1 | Seal kit adjustment block | |
| 11 | 1308115 | 6 | 1/8" Male Plug | |
| 1300 S | Entry Block | | | |
| 12* | 1308750 | | 1300 S Entry Block complete | |
| | 1308751 | 1 | 1300 S Entry Block empty | |
| 13* | 1308752 | 1 | P/O Diverter valve | |
| 14* | Z01-06-08-08 | 4 | 1/2" to 1/2" M/M Fitting | |
| 15* | | 1 | 1300 S entry Block seal kit | |
| 16* | 1308224 | 2 | 1/8" copper washer | |
| 17* | Z01-06-04-06 | 2 | 3/8 to 1/4" M/M fitting | |
| 18* | Z01-06-06-06 | 3 | 3/8 to 3/8" M/M fitting | |
| 19* | Z01-04-03 | 4 | 1/2" Copper Washer | |
| 20* | 1308753 | 1 | 1300 S Cetop Diverter valve | |
| 21* | 1308221 | 4 | M5 x 30 socket head bolt | |
| 22* | 34087321 | 1 | 12V DC Coil | |
| 23* | 1308220 | 1 | Plastic Nut For 12V DC Coil | |
| 24* | 13082232 | 1 | Solenoid Seal Kit | |

* indicates 1300 S model only

6.3 Inlet Control valve exploded view



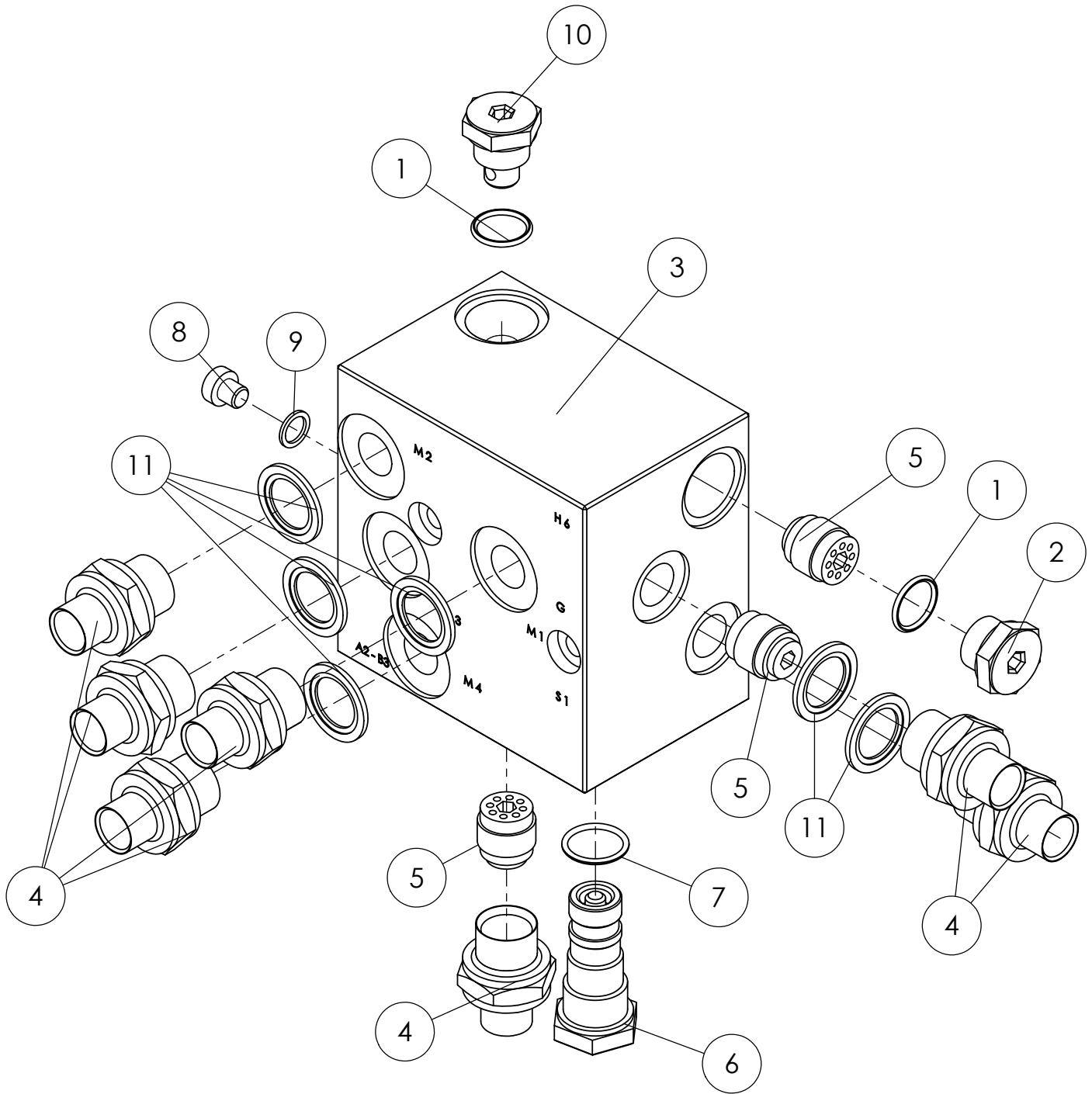


6.4 Inlet Control valve part list

| ITEM NO. | PartNo | DESCRIPTION | Default/QTY. |
|----------|--------------|--|--------------|
| 1 | 1308731 | Entry Block (<45l/min) | 1 |
| 2 | 1308704 | 2 Dir Spool Valve (c/w solenoid) (oc) | 1 |
| 3 | 1308702 | 2 Dir. Spool Valve (c/w Solenoid) (cc) | 1 |
| 4 | 1308703 | 1 Dir. Spool Valve (cw solenoid) | 1 |
| 5 | 1308706 | End Plate | 1 |
| 6 | 34087521 | Solenoid | 5 |
| 7 | 1308720 | single overcenter valve | 1 |
| 8 | Z01-06-06-06 | 3/8" x 3/8" Adaptor | 6 |
| 9 | Z01-04-03 | 1/2" BSP Dowty Washer | 5 |
| 10 | Z01-04-02 | 3/8" BSP Dowty Washer | 7 |
| 11 | 1308714 | Entry & Control Block Seal Kit | 1 |
| 12 | 1308713 | Tie Rod | 3 |
| 13 | 1308070 | Filter | 1 |
| 14 | Z01-06-08-08 | 1/2" x 1/2" Adaptor | 3 |
| 15 | 1308714 | Entry & Control Block Seal Kit | 8 |
| 17 | 1308714 | 19mm O- ring | 2 |
| 18 | 1308714 | Entry & Control Block Seal Kit | 2 |
| 19 | 1308732 | Pressure relief valve | 1 |
| 20 | Z23-08 | Nut M8 | 3 |
| 21 | 1308715 | M5 x 60mm Socket Head Bolt | 4 |
| 22 | Z01-06-MB08 | 1/2" Male Blank | 1 |
| 23 | 1308202 | Solenoid | 1 |
| 24 | 1508002 | nut for magnet (c/w 28) | 1 |
| 25 | 1308710 | 1/4" Test Point | 1 |
| 26 | Z01-14-018S | 1/2" Swept Elbow | 1 |
| 27 | Z01-06-05-08 | 1/2" Bulkhead adaptor | 1 |
| 28 | 1308708 | Master valve | 1 |

| | | | |
|-----|---------|----------------|--|
| 13* | 1308071 | Filter Element | |
|-----|---------|----------------|--|

Assembly Block exploded view

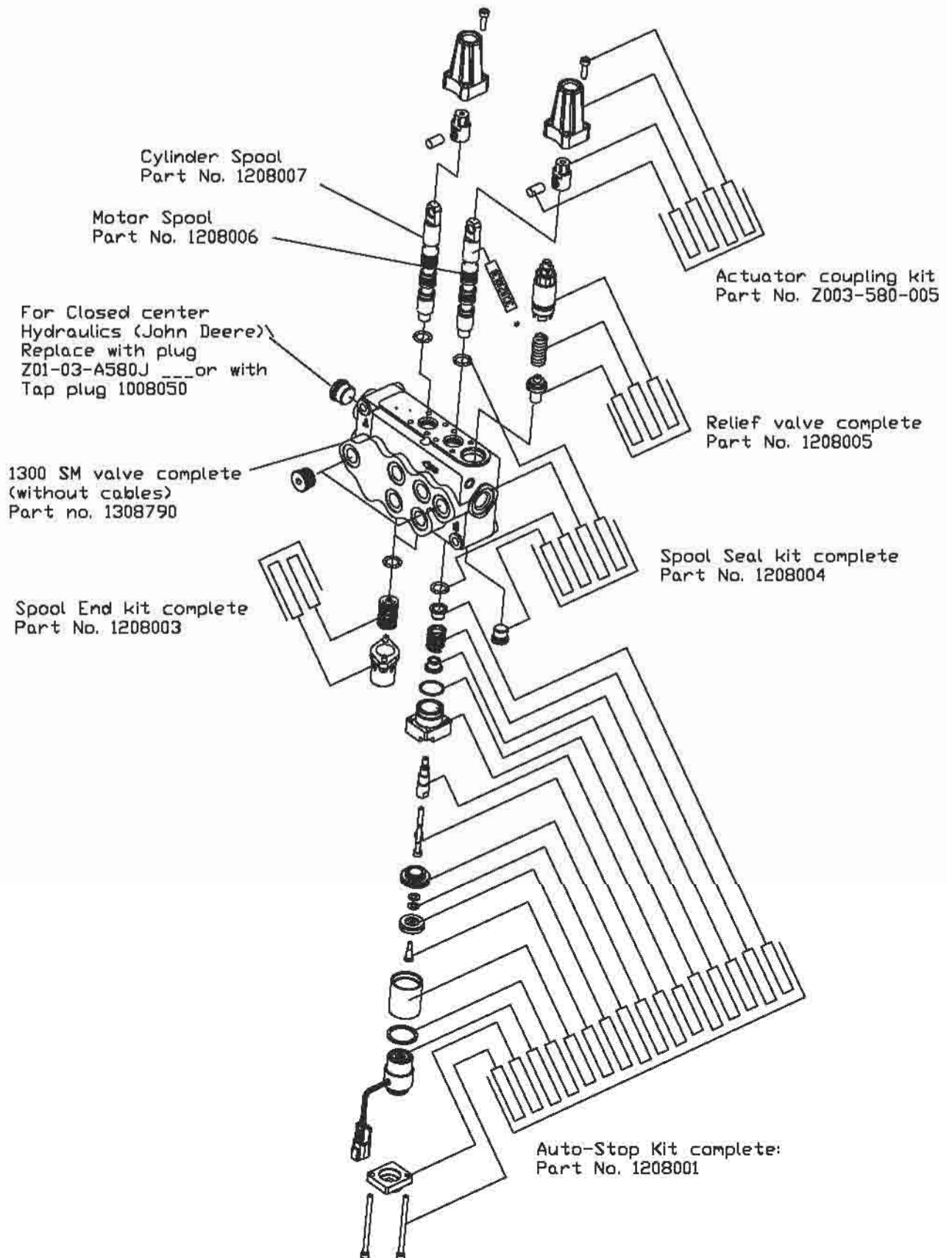




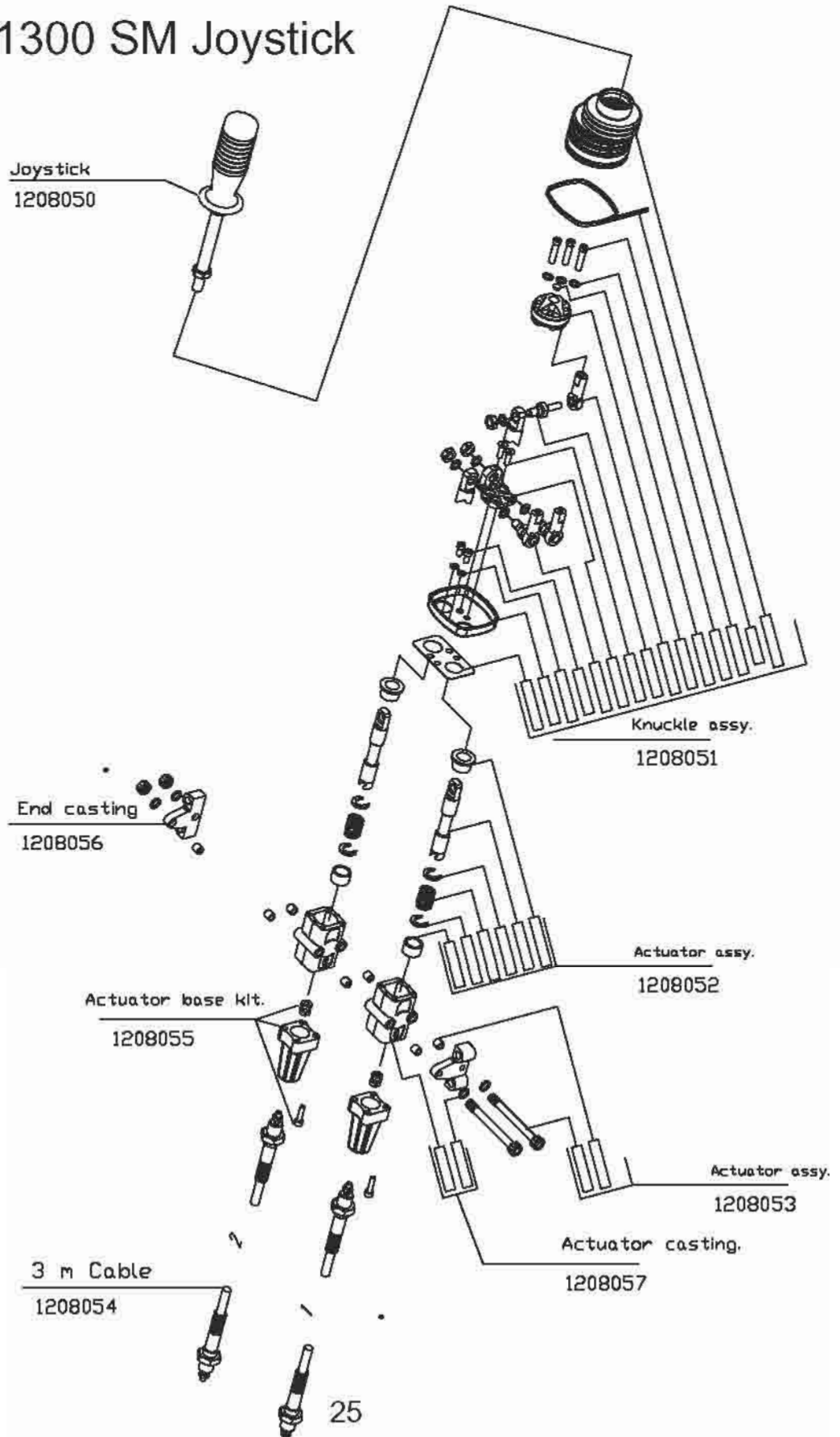
Assembly Block part list

| ITEM NO. | PartNo | DESCRIPTION | QTY. |
|----------|--------------|------------------------|------|
| 1 | comes with 2 | 19mm O- ring | 2 |
| 2 | Z01-06-MB08 | 1/2" Male Blank | 1 |
| 3 | 1308351 | Assembly block empty | 1 |
| 4 | Z01-06-06-08 | 1/2" x 3/8" Adaptor | 7 |
| 5 | 1308302 | 1.5 bar check valve | 3 |
| 6 | 1508106 | P/O check valve | 1 |
| 7 | comes with 8 | O-Ring 21mm | 1 |
| 8 | 1308115 | 1/8" BSP Male plug | 1 |
| 9 | Z01-04 | 1/8" BSP Dowty washer | 1 |
| 10 | 1308230 | 1/2" Plug 5 mm orifice | 1 |
| 11 | Z01-04-03 | 1/2" BSP Dowty Washer | 6 |

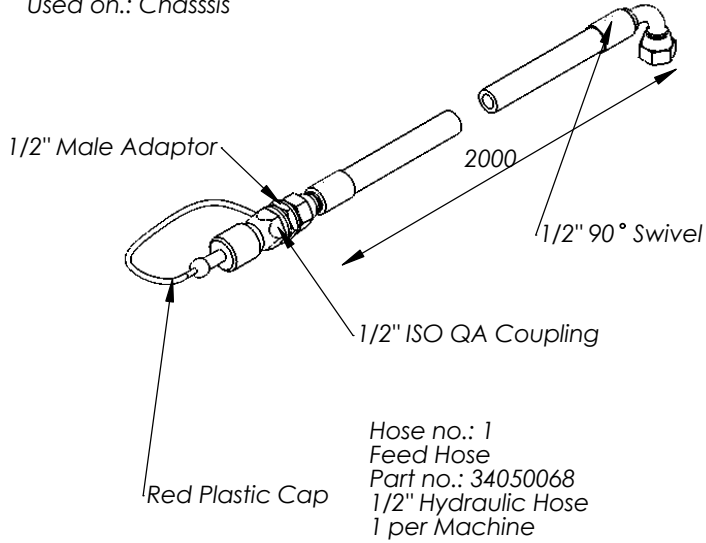
6.7 1300 SM control valve



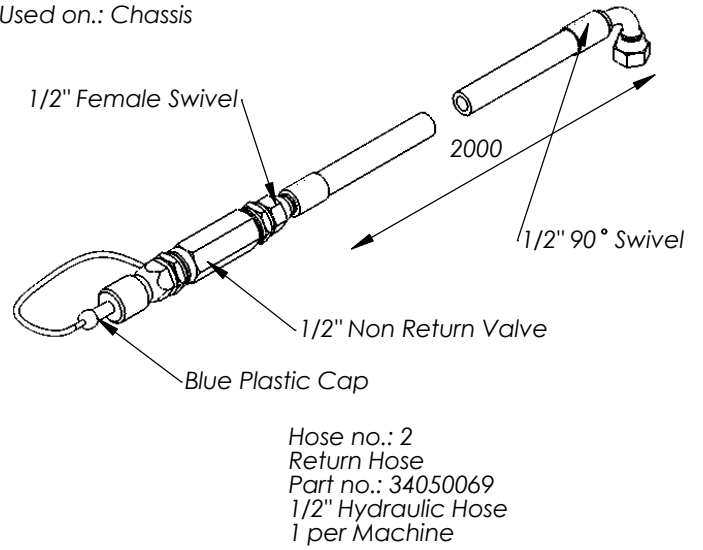
6.7 1300 SM Joystick



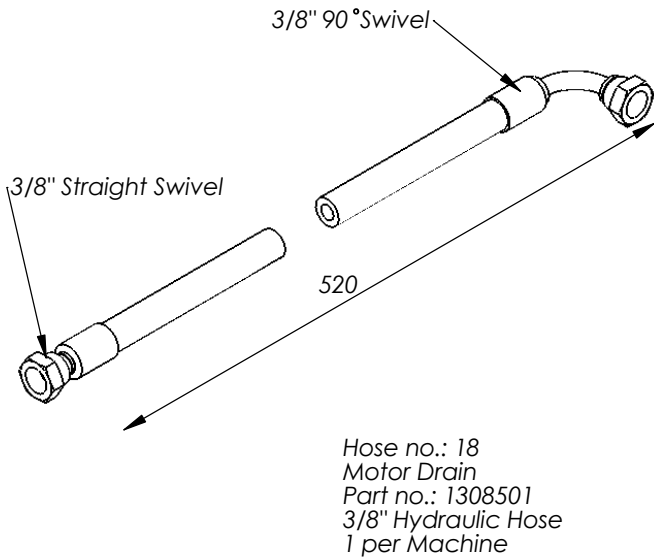
Used on.: Chassis



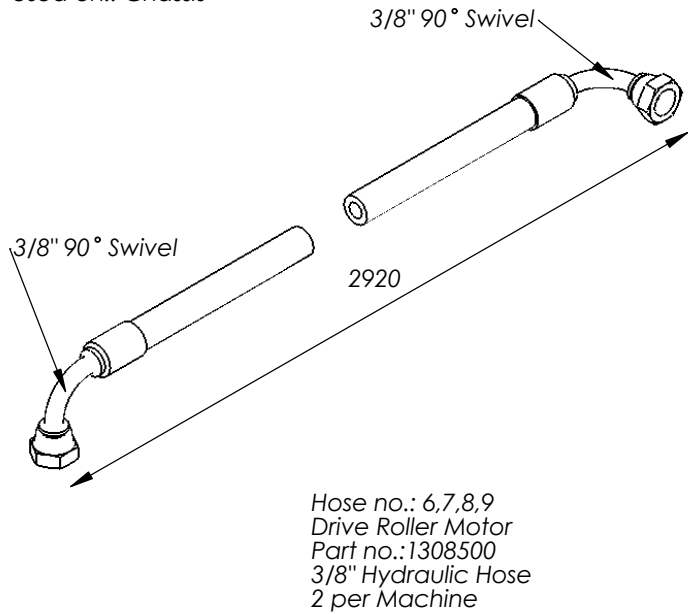
Used on.: Chassis



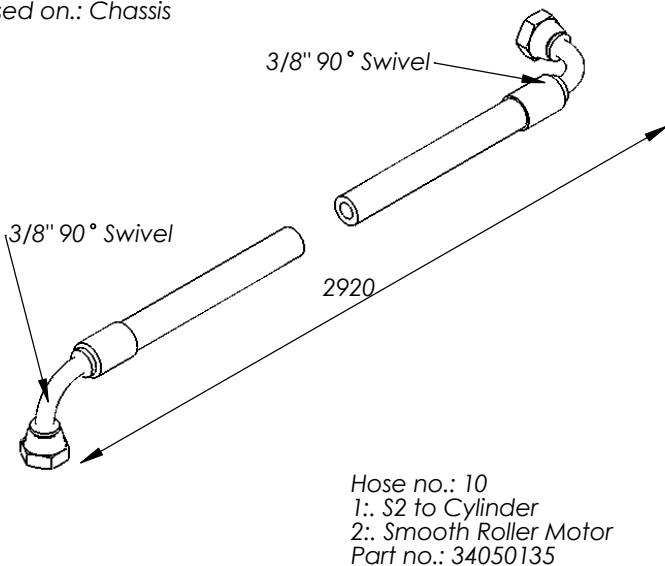
Used on.: Tower



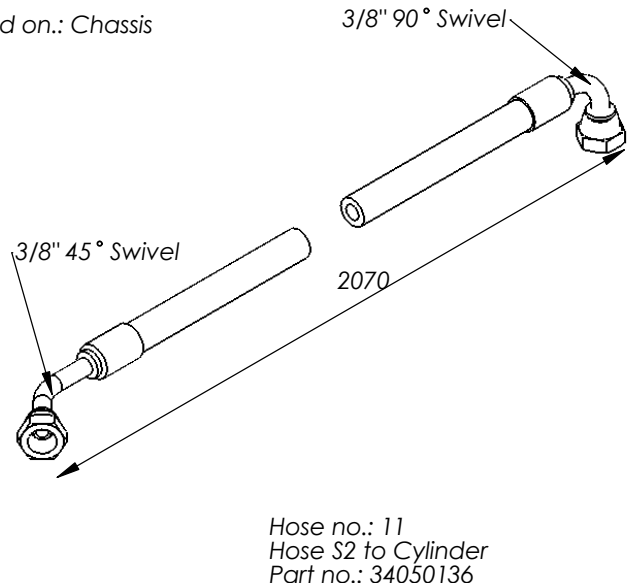
Used on.: Chassis



Used on.: Chassis



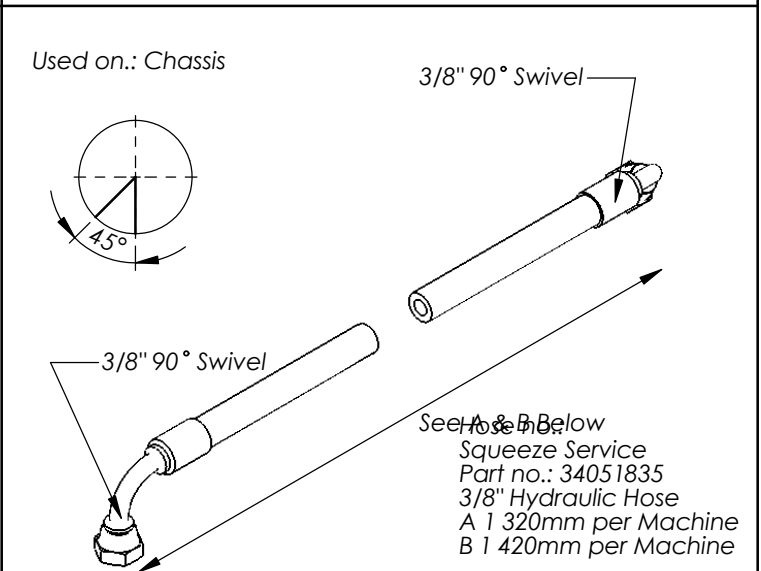
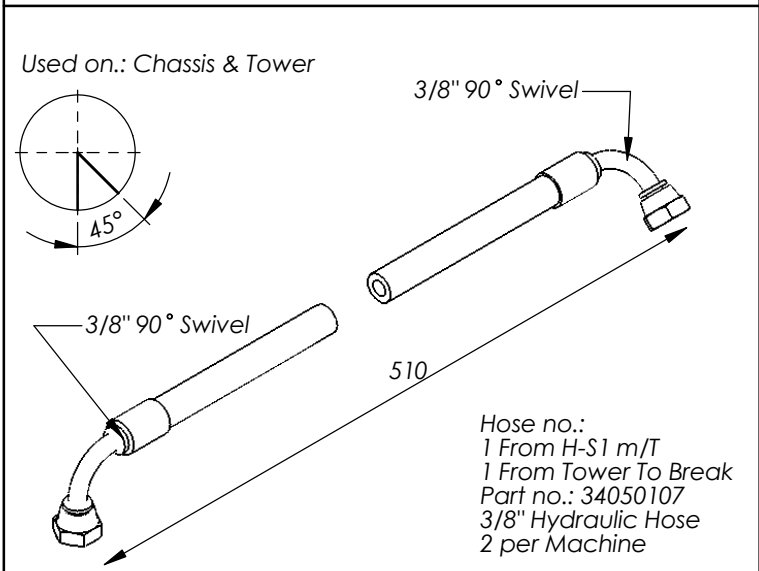
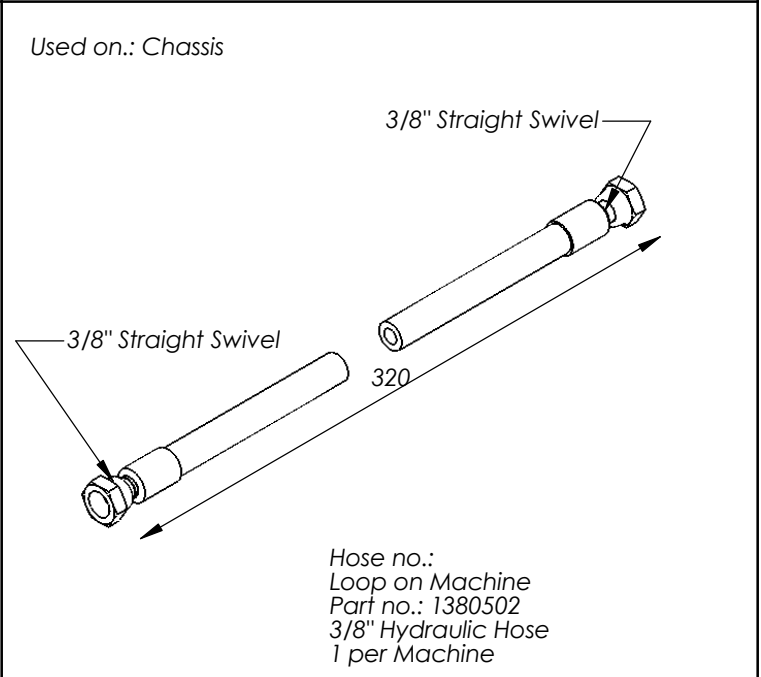
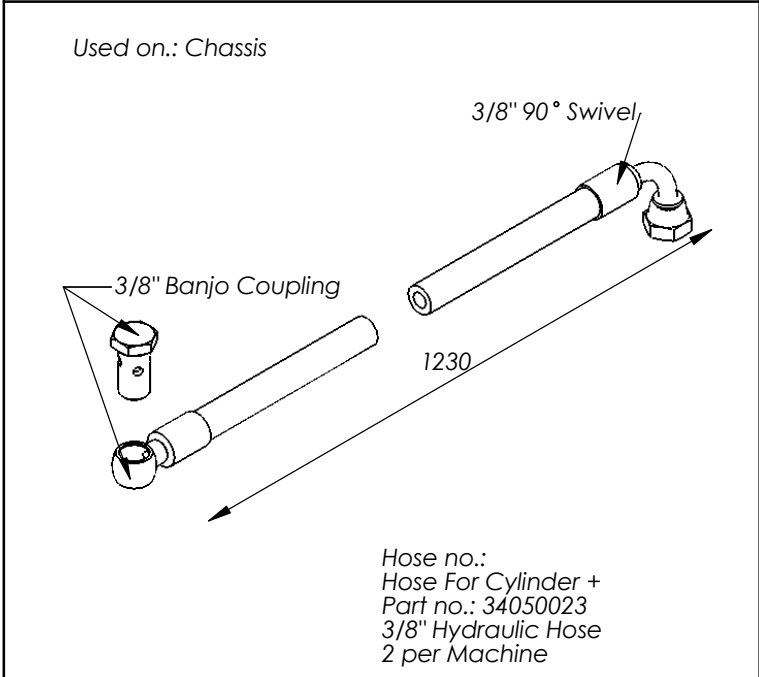
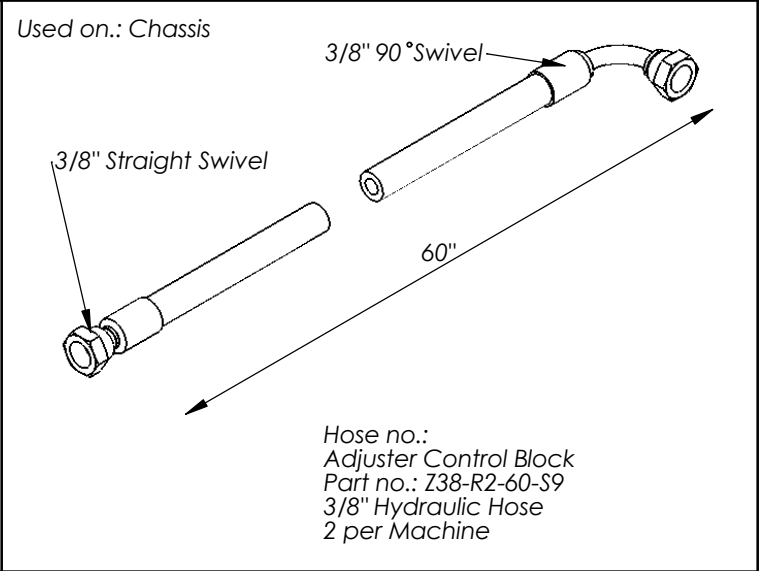
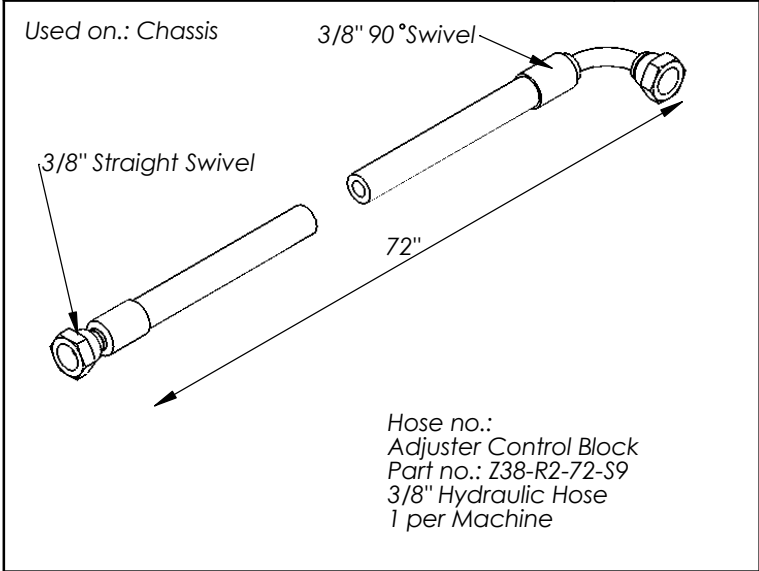
Used on.: Chassis





Hydraulic Hose Kit
Machine.: 1300
Model.: EH

Sheet 2 of 3

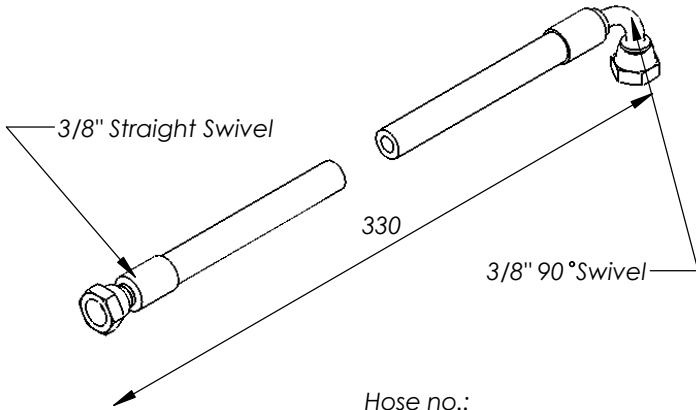




Hydraulic Hose Kit
Machine.: 1300
Model.: EH (Double Drive Rollers)

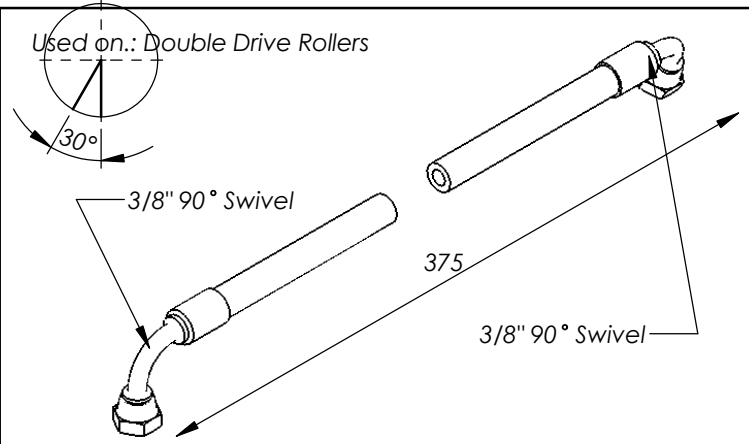
Sheet 3 of 3

Used on.: Double Drive Rollers



Hose no.:
 Double Drive Hose
 Part no.: 1308503
 3/8" Hydraulic Hose
 1 per Machine

Used on.: Double Drive Rollers



Hose no.:
 Double Drive
 Part no.: 1308504
 3/8" Hydraulic Hose
 1 per Machine

Used on.:

Hose no.:
 Desc
 Part no.:
 X/Y" Hydraulic Hose
 Z per Machine

Used on.:

Hose no.:
 Desc
 Part no.:
 X/Y" Hydraulic Hose
 Z per Machine

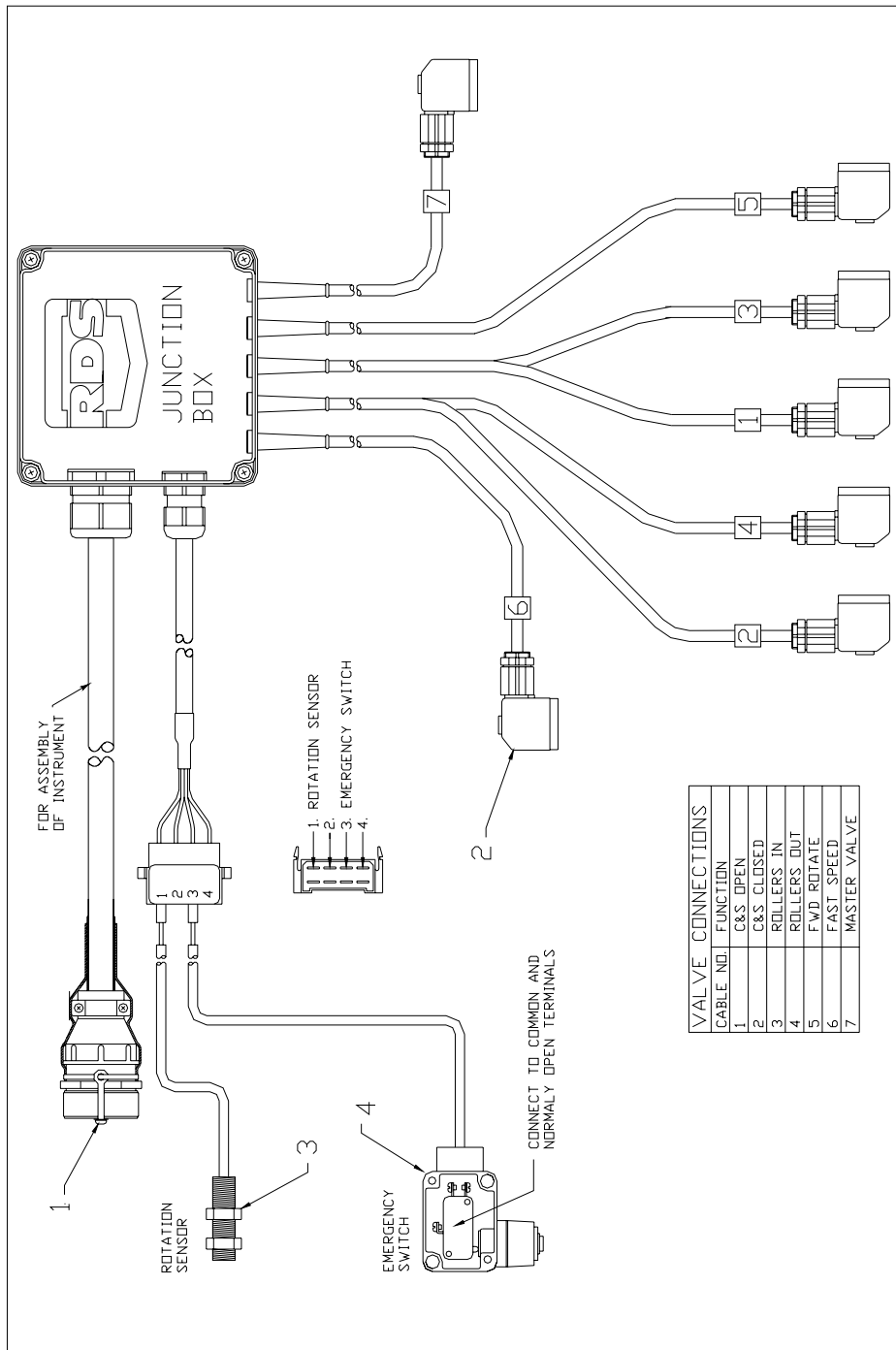
Used on.:

Hose no.:
 Desc
 Part no.:
 X/Y" Hydraulic Hose
 Z per Machine

Used on.:

Hose no.:
 Desc
 Part no.:
 X/Y" Hydraulic Hose
 Z per Machine

7.1 Junction Box.



| VALVE CONNECTIONS | |
|-------------------|--------------|
| CABLE NO. | FUNCTION |
| 1 | C&S OPEN |
| 2 | C&S CLOSED |
| 3 | ROLLERS IN |
| 4 | ROLLERS OUT |
| 5 | FWD ROTATE |
| 6 | FAST SPEED |
| 7 | MASTER VALVE |

| ITEM | PART NO. | QUANTITY | DESCRIPTION |
|------|----------|----------|--|
| | 1309004 | 1 | 1300 Junction Box complete |
| 1 | 1309003 | 1 | Com Cable (3m) c/w 24 pin plug |
| 2 | 1309005 | 7 | Hirshmann c/w screw, gland and 0.7 m cable |
| 3 | 1309203 | 1 | RDS Sensor (4 m cable) |
| 4 | 34950179 | 1 | Emergency stop switch |

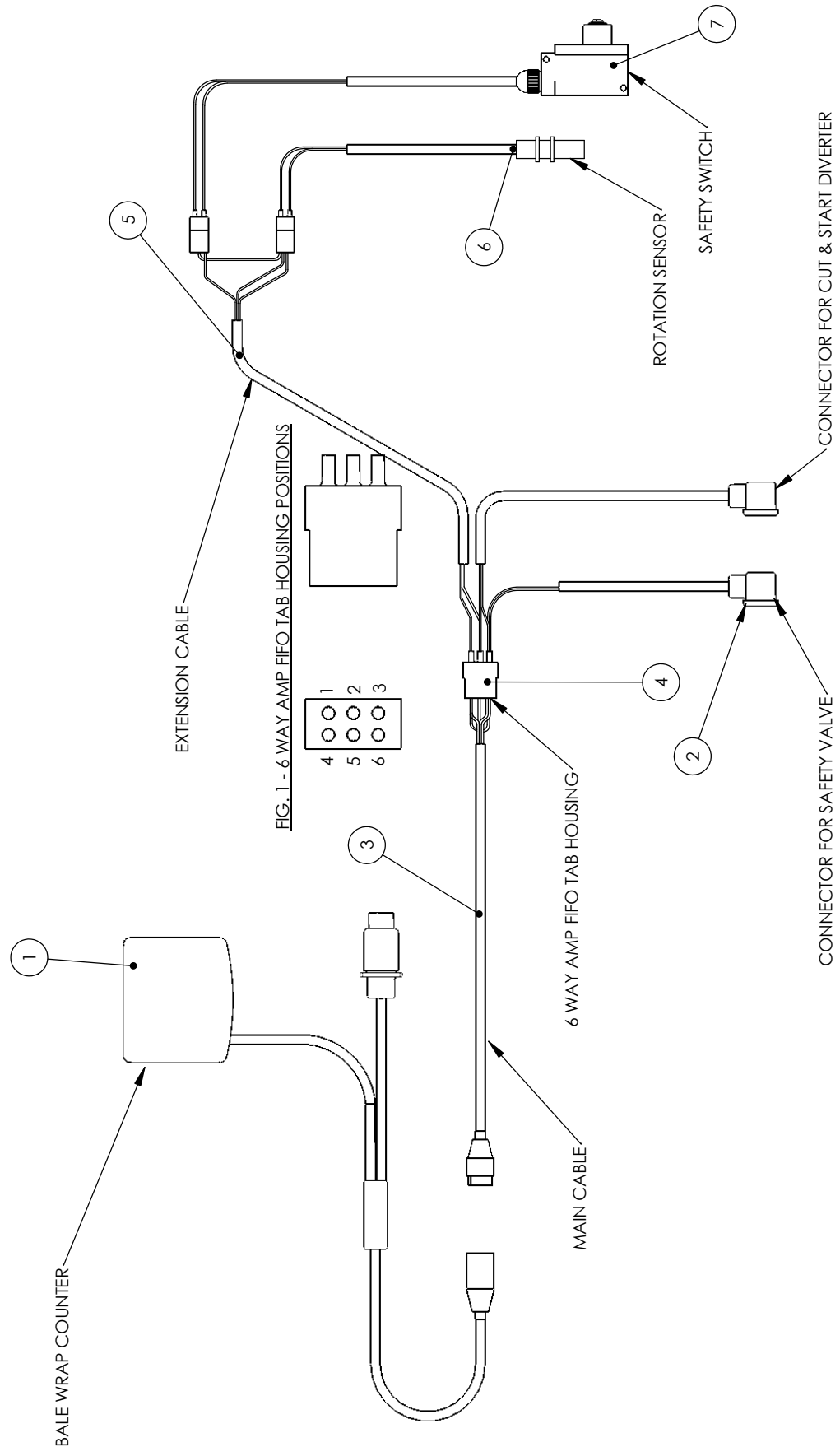
7.2. EH Controller



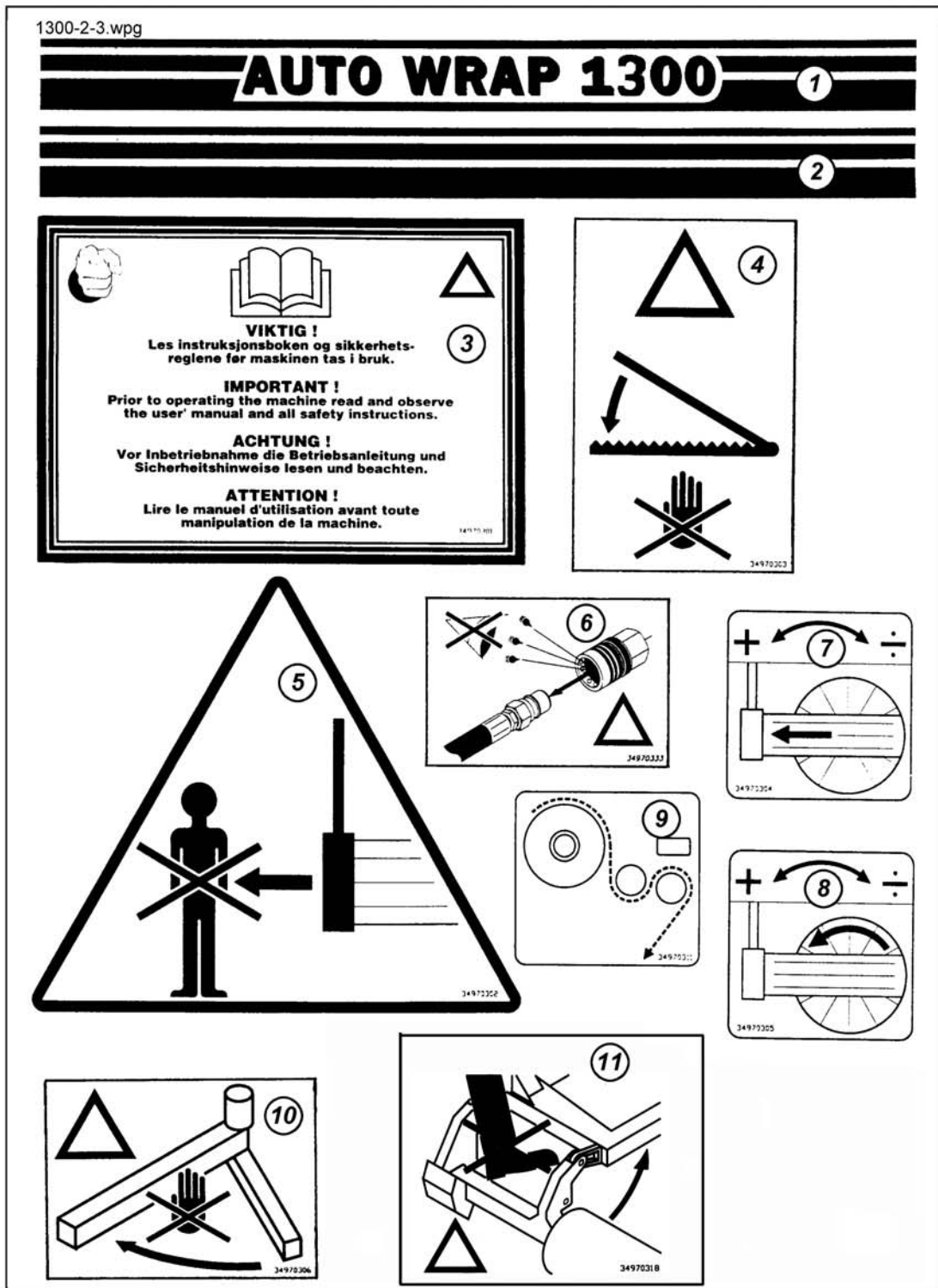
| ITEM | PART NO. | QUANTITY | DESCRIPTION |
|------|----------|----------|---------------------------------------|
| 1 | 1309006 | 1 | RA Control Unit |
| 2 | 1309001 | | RA Faceplate RDS |
| 3 | 1309009 | 1 | 2 pin connector Female + 2 spade pins |
| 4 | 1309011 | 1 | Controller mounting bracket EH |
| 5 | 1309012 | 1 | Controller suction cup |
| | 1309100 | | 1300 Extension Cable (3m) |
| | 1309007 | | EH Battery Cable (3m) |
| | 1309010 | | 2 pin connector male + 2 female pins |

7.3 1300 S controller

| ITEM NO. | PART NUMBER | DESCRIPTION | QTY. |
|----------|-------------|-----------------------------|------|
| 1 | 1309400 | 1300 S Bale wrap counter | 1 |
| 2 | 1309005 | Hishmann and cable | 1 |
| 3 | 1309205 | 8 way - 6 way adaptor cable | 1 |
| 4 | 1309206 | 6 Way Amp FIFO Tab Housing | 1 |
| 5 | 1309202 | Input Extension Lead | 1 |
| 6 | 34950179 | Arm Rotation Sensor | 1 |
| 7 | 34950179 | Emergency switch | 1 |
| 8 | 1309204 | Battery cable- combo socket | 1 |



8.1. Safety Decals



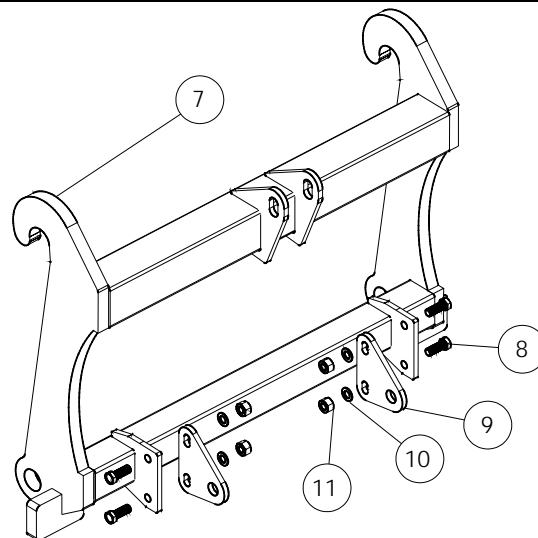
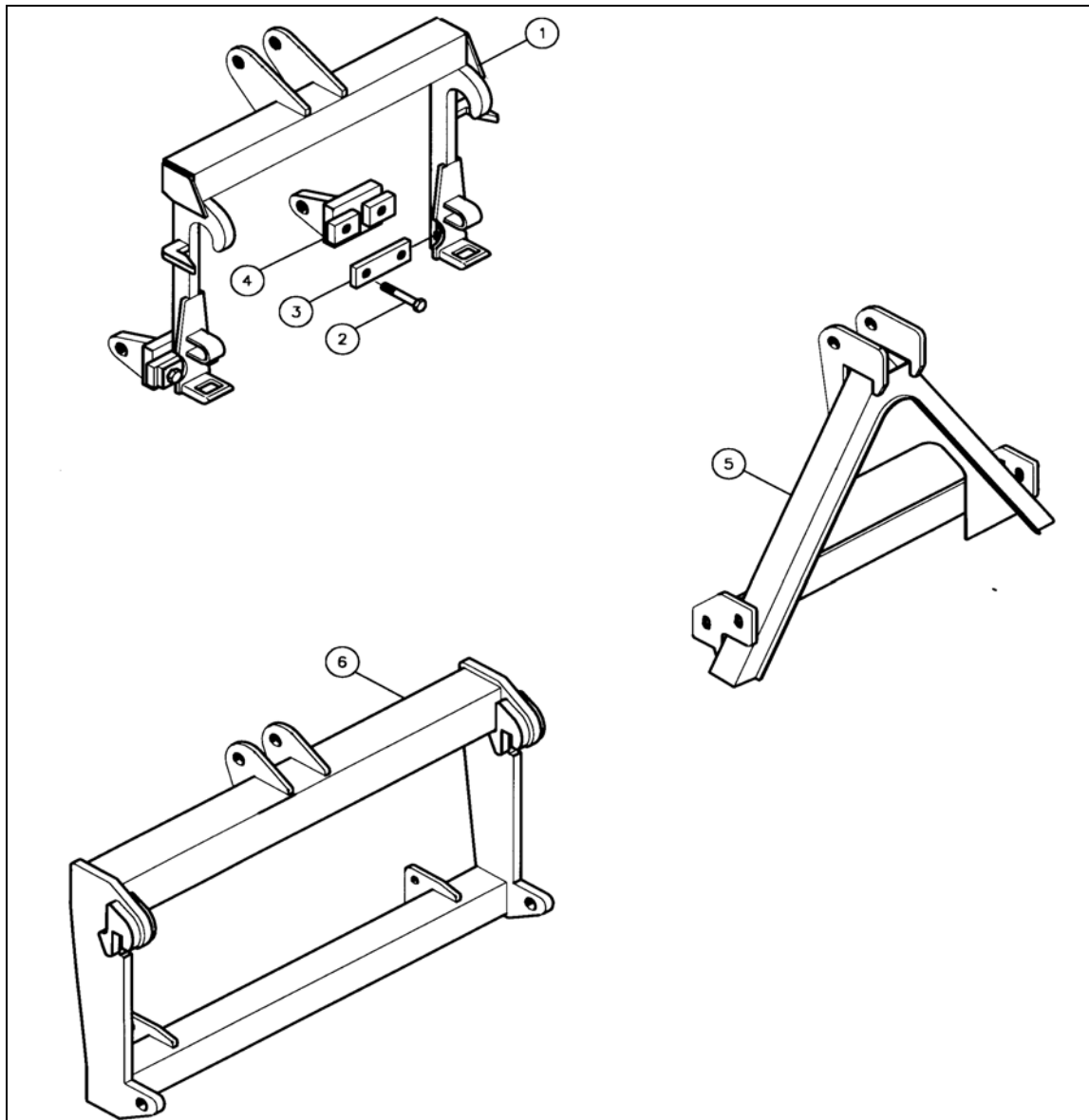


Tanco Auto wrap 1300
Spare parts list

8.2. Safety Decals part list

| ITEM | PART NO. | QUANTITY | DESCRIPTION |
|------|----------|----------|--------------------------------|
| 1 | 34970356 | 2 | Decal, stripes with text |
| 2 | | | |
| 3 | 34970301 | 1 | Important! Prior to operate... |
| 4 | 34970303 | 1 | Danger, cutter |
| 5 | 34970302 | 1 | Danger, prestretcher |
| 6 | 34970333 | 1 | Danger, hydraulic oil |
| 7 | 34970304 | 1 | Adjustment, wrap.arm speed |
| 8 | 34970305 | 1 | Adjustment, roller speed |
| 9 | 34970311 | 1 | Prestrecher, mounting film |
| 10 | 34970306 | 2 | Danger, wrapping arm/tower |
| 11 | 34970317 | 2 | Danger, roller arms |

9.1. Attachment brackets

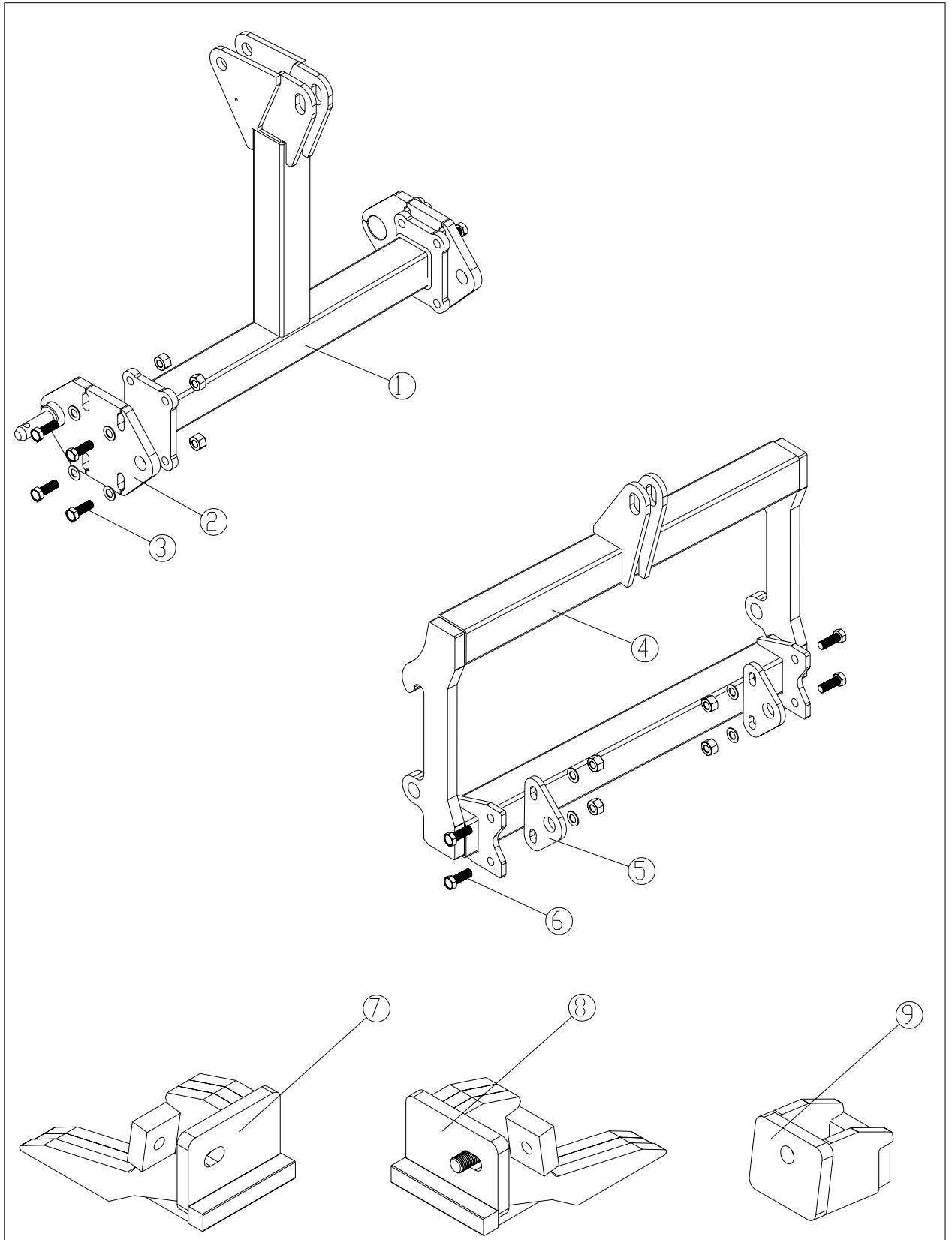




9.2. Attachment brackets parts list

| ITEM | PART NO. | QTY | DESCRIPTION |
|----------|-----------------|----------|------------------------------------|
| | 35810031 | | Trima bracket Kit |
| 1 | | 1 | Trima bracket Frame |
| 2 | 34115600 | 1 | Bolt |
| 3 | 34251490 | 1 | Locking bar |
| 4 | 34251489 | 3 | Locking bar holder |
| | | | |
| 5 | 35810030 | 1 | Triangle bracket Kit |
| | 34611552 | 1 | Triangle Frame |
| | 34611553 | 2 | Bolt on bracket |
| | 34310800 | 4 | M16 Spring washer |
| | 34110051 | 4 | M16 x 45 Bolt |
| | 34232100 | 4 | M16 Locknut |
| | | | |
| 6 | 35810034 | 1 | Volvo bracket Kit |
| | 34611544 | 1 | Volvo Bracket Frame |
| | 34611543 | 2 | Bolt-on bracket |
| | 34119176 | 4 | M16 x 60 Bolt |
| | 34302105 | 4 | M16 Flat washer |
| | 34232100 | 4 | M16 Locknut |
| | | | |
| | 35810035 | 1 | Industrial Euro Bracket Kit |
| 7 | 34611545 | 1 | Industrial Euro Bracket |
| 9 | 34611543 | 2 | Bolt-on bracket |
| 8 | 34119176 | 4 | M16 x 60 Bolt |
| 10 | 34302105 | 4 | M16 Flat washer |
| 11 | 34232100 | 4 | M16 Locknut |

9.3. Attachment brackets





9.4. Attachment Brackets part list

| ITEM | PART NO. | QTY | DESCRIPTION |
|------|-----------------|-----|---|
| | 35810029 | | 3-Point linkage bracket Kit (kat II) |
| 1 | 34611547 | 1 | 3-Point linkage Frame |
| 2 | 34611548 | 2 | Bolt-on plate |
| 3 | | 8 | Bolt assembly |
| | 34119176 | 1 | Bolt M16 x 60 |
| | 34232100 | 1 | Lock Nut M16 |
| | 34301000 | 1 | Flat Washer M16 |
| | | | |
| | 35810031 | | Alo bracket kit (Type 3) |
| 4 | 34611550 | 1 | Alo bracket |
| 5 | 34611551 | 2 | Bolt-on plate |
| 6 | | 4 | Bolt assembly |
| | 34110042 | 1 | Bolt M16 x 45 |
| | 34232100 | 1 | Lock Nut M16 |
| | 34301000 | 1 | Flat Washer M16 |
| | | | |
| | 35100335 | | Brackets for dia 150cm round bales |
| 7 | 34611527 | 1 | Roller arm support LHS |
| 8 | 34622526 | 1 | Roller arm support RHS |
| 9 | 34611528 | 2 | Roller arm stop |
| | 34111500 | 4 | Bolt M16 x 50 |
| | 34232100 | 4 | Lock Nut M16 |
| | 34301000 | 4 | Flat Washer M16 |