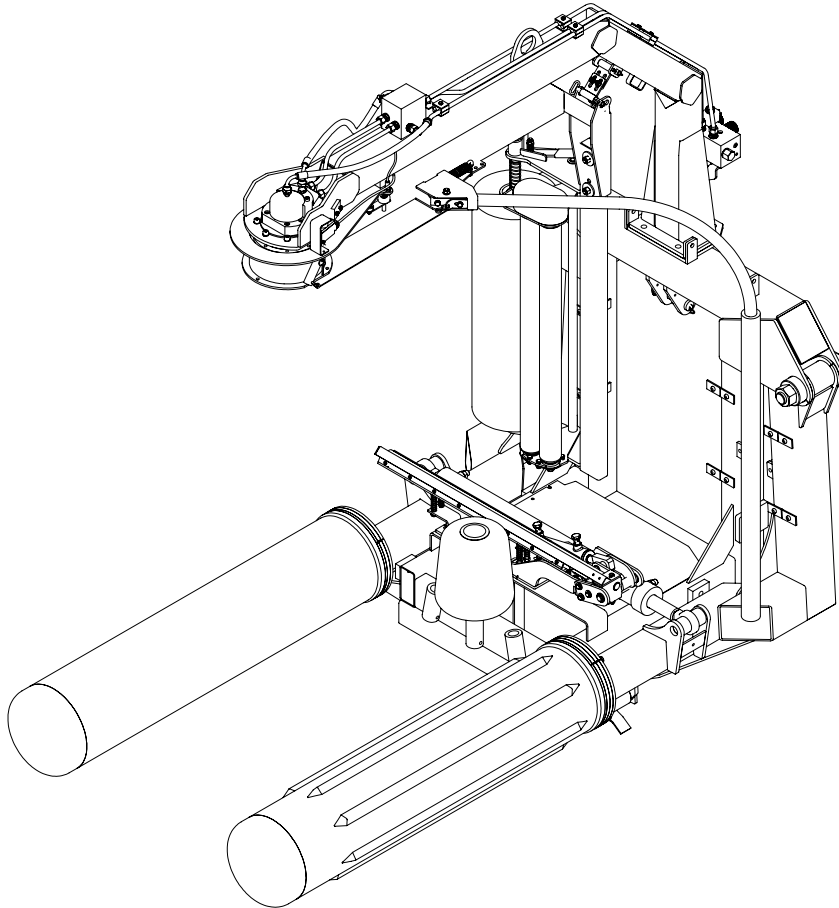


- SPARE PARTS LIST



We recommend that when you need spare parts, you should use only original parts.

When ordering spare Parts use the following:

- Drawings are marked with a position number.
- On the accompanying table you will find the position number, its equivalent part number and description. The entire part number and description must always be relayed on ordering.
- **IMPORTANT!**
When ordering always give the serial number on the wrapping machine and specify the Model of Machine.

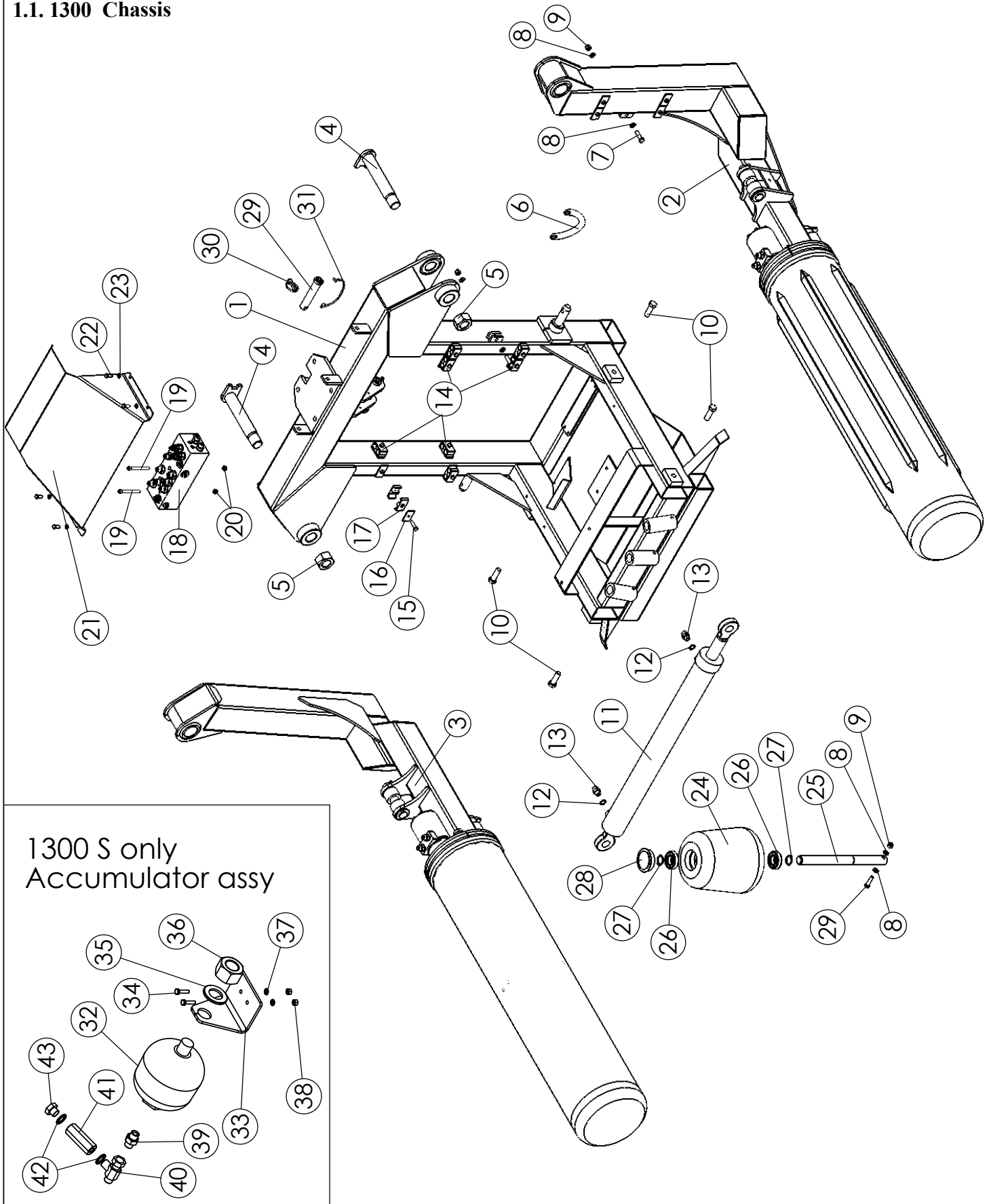
All orders must go through your local Tanco Dealer. To prevent confusion all orders must be faxed or e-mailed to Tanco Autowrap.



TABLE OF CONTENTS

	<u>Page:</u>
1. Chassis 1300	
1.1. Chassis 1300	
1.1.1. Exploded View Main Chassis	4
1.1.2. Part List Chassis	5
1.1.3. Exploded View Roller Arm Assembly	6
1.1.4. Parts List Roller Arm	7
2. Cut and Start	
2.1. Exploded View	8
2.2. Parts List Cut and Start	9
3. Tower	
3.1. Exploded View	10
3.2. Tower Parts List	11
4. Wrap Arm	
4.1. Exploded View	12
4.2. Wrap arm Parts List	13
5. Dispenser	
5.1. Dispenser Exploded View	14
5.2. Dispenser Parts List	15
5.3. Dispenser Roller Insert Exploded	16
5.3. Dispenser Roller Insert Parts list	17
6. Hydraulics	
6.1. Adjustment block and 1300 S entry Block	18
6.2. Adjustment block Parts List	19
6.3. 1300 EH Control block exploded	20
6.4. 1300 EH Control block Parts list	21
6.5. Assembly block exploded	22
6.6. Assembly block parts list	23
6.7. Hydraulic Hoses 1300	24-28
7. Electrics	
7.1. Junction Box 1300	29
7.2. 1300 EH controller	30
7.3. 1300 S controller	31
8. Safety Decals	
8.1. Safety Decals	32
8.2. Safety Decals parts list	33
9. Brackets	
9.1. Attachment brackets	34
9.2. Attachment brackets parts list	35
9.3. Attachment brackets	36
9.4. Attachment brackets parts list	37

1.1. 1300 Chassis





Tanco Auto wrap 1300
Spare parts list

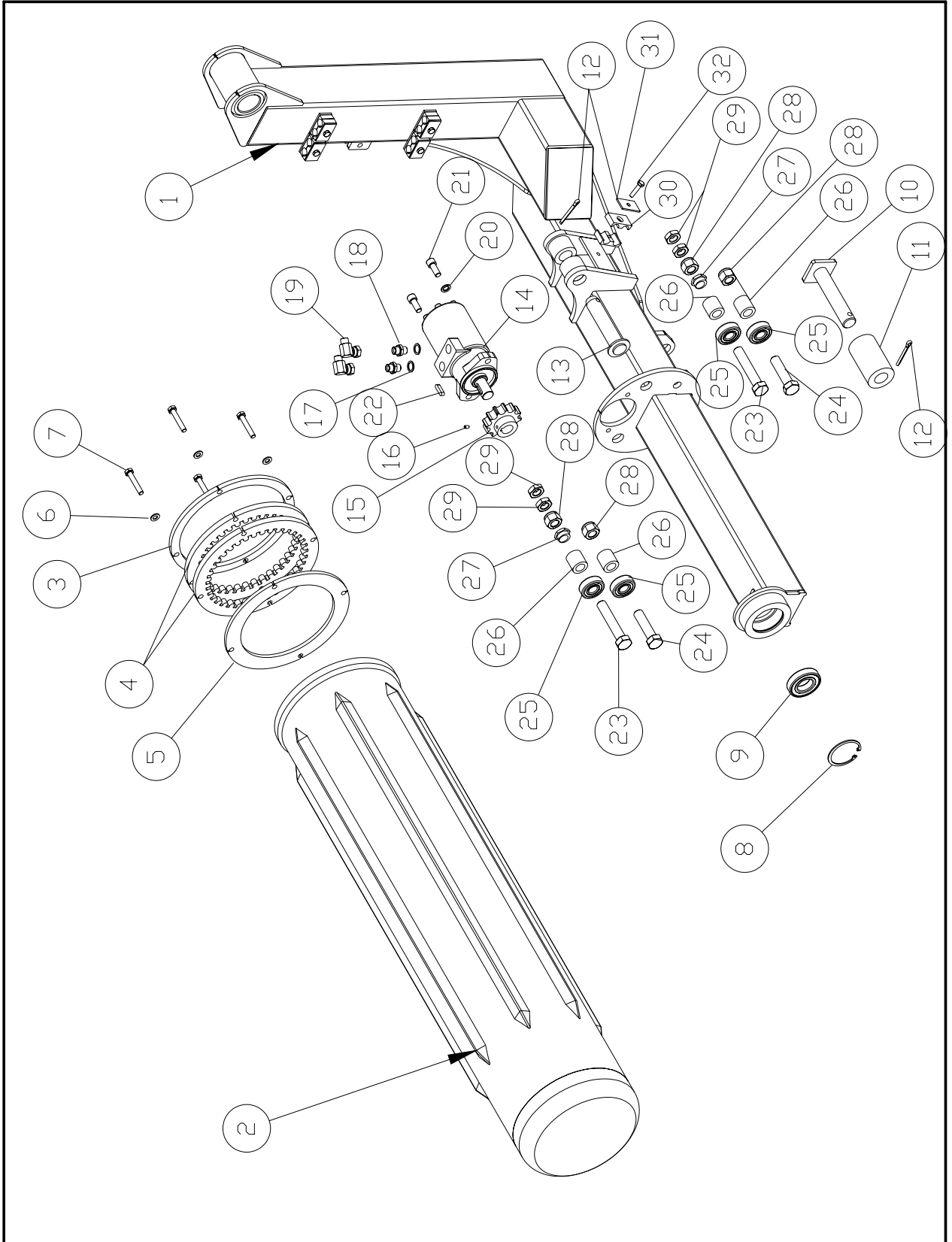
1.1.2. Part List Chassis

ITEM	PART NO.	QTY	DESCRIPTION	Dimension
1	1301000	1	CHASSIS	
2	see pg 6	1	Roller Arm Left Hand Side	
3	see pg 6	1	Roller Arm Right Hand Side	
4	34105720	2	Main Pivot Pin	
5	34235400	2	M36 Locknut	
6	34811343	2	11 Link Chain	
7	34110017	2	M10 * 45 Bolt	
8	34302122	6	M10 flat Washer	
9	34230900	3	M10 Locknut	
10	34111500	4	M16 * 50 Set Bolt	
11	34001485	1	Squeeze Cylinder	
	35042800		Seal Kit 70/40 DA	
12	34041700	2	3/8" Dowty Washer	
13	34060100	2	3/8"-3/8" M-M Fitting	
14	34260205	2	Clamps 6x25x60	
15	Z26-042B	8	M8 * 35 Bolt	
16	Z01-24-28	8	Steel Top Clamp	
17	Z01-24-2618	8	Plastic Hose Clamps (set)	
18	1308300	1	Assembly Block Complete	
19	Z13-6-08x100	2	M8 * 100 Allen headed Bolt	
20	Z23-08	2	M8 Locknuts	
21	1301100	1	Valve Cover	
22	34115100	4	M8 * 12 Bolt	
23	34302121	4	M8 Spring Washer	
24-29 *	34340140	1	Support Roller Complete	
24	34340141	1	Support Roller	
25	34130258	1	Support Roller Shaft	
26	34320508	2	Support Roller Bearing	6206 2RS
27	34240708	2	Cir Clip	A 30
28	34450447	1	Plastic Cap	
29	Z26-0671B	1	M10 x 65 bolt	
30	34200201	1	Lynch Pin	
31	34105635	1	Top Link Pin Complete	

1300 S Accumulator assy.

32	Z01-01-AWDA	1	Accumulator (50 bar)	
33	WD67-029	1	Accumulator mounting plate	
34	Z26-042B	2	M8 x 35 Bolt	
35	Z10-02-30	1	Washer	
36	Z001-243	1	M28 Nut	
37	Z10-02-08	2	M8 flat washer	
38	Z23-08	2	M8 Locknut	
39	Z01-06-06-06	1	3/8" x 3/8" M-M adaptor	
40	Z01-12-0022	1	3/8" M-M-F Tee	
41	Z01-03-0172	1	3/8" non-return valve	
42	Z01-04-02	2	3/8" Dowty washers	
43	Z01-06-NB06	1	3/8" Male Blank	

1.1.3. Roller arm



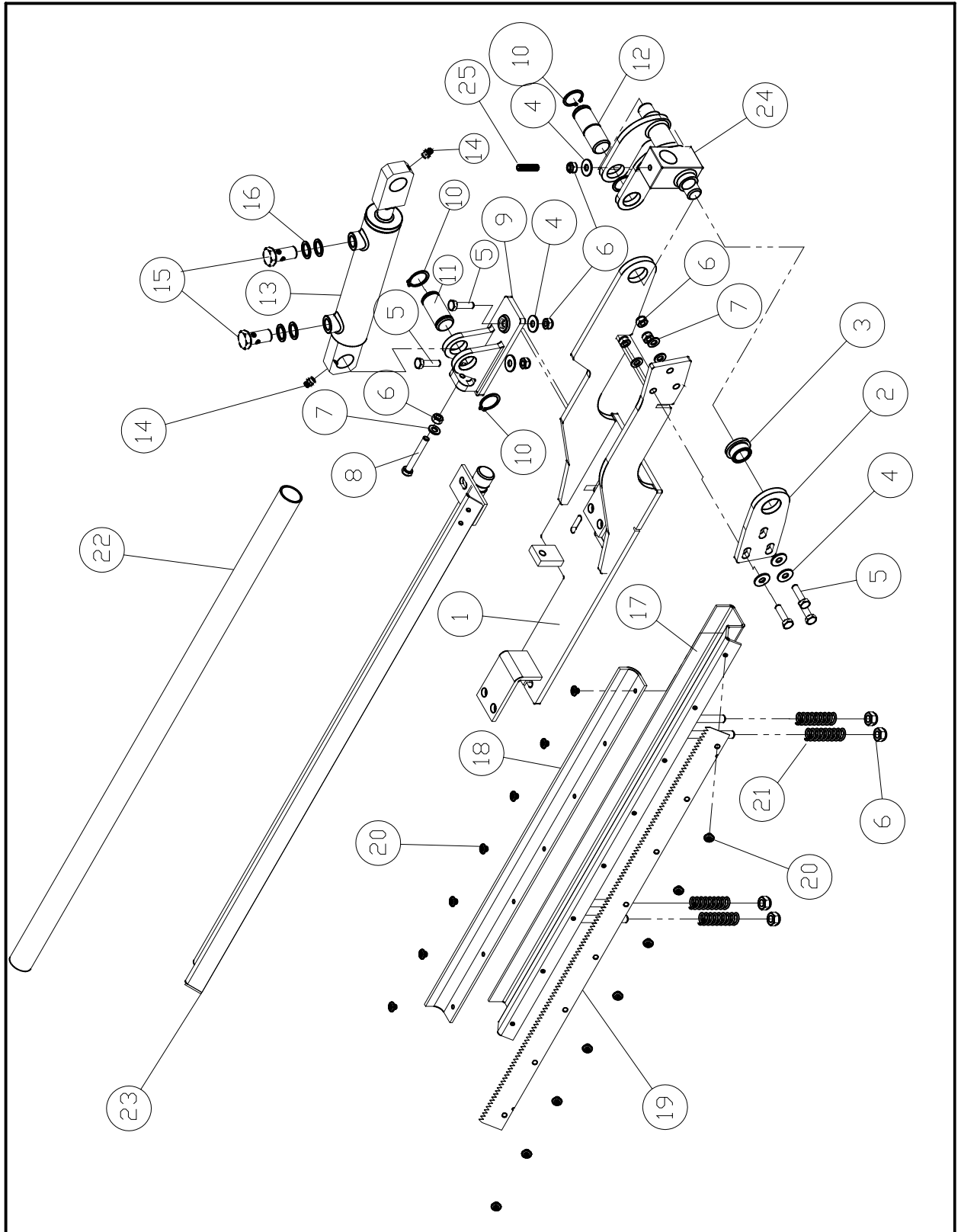


Tanco Auto wrap 1300
Spare parts list

1.1.4. Part List Roller Arm

ITEM	PART NO.	QUANTITY	DESCRIPTION	Dimension
1	34611480	1	Roller arm Left	
	34611479	1	Roller Arm Right	
2	34911049	1	Roller Grippped	
	34911048	1	Roller- non Grippped	
3	34360523	2	Shield Ring	
4	1302001	4	Drive Ring	12.5 mm
5	34360523	2	Middle Ring	
6	Z12-02-10	8	M 10 Spring washer	
7	34110018	8	M10 x 60 Bolt	
8	34240100	2	Cir Clip	I-72
9	34321521	2	Roller Support Bearing	
10	34105719	2	Pin for Support Roller	
11	34730054	2	Support Roller	
12	34220400	2	Split Pin	
13	34105725	2	Pin for Squeeze cylinder	
14	1308800	2	400 cc Drive motor	
14 b	1308801	*	Seal kit for Motor	
15	34810042	2	Drive Gear	
16	34119081	2	M8 Grub Screw	
17	Z01-04-03	4	1/2" Dowty Washers	
18	Z01-06-06-08	4	1/2"-3/8" Adaptors	
19	Z01-14-015	4	3/8"-3/8" M-F Elbows	
20	Z12-02-12	4	M 12 Spring Washer	
21	34110029	4	M 12 Allen Headed bolt	M12 x 30
22	34270111	2	8 x 7 x 35 Key steel	
23	34112110	4	M 20 x 110 Bolt	
24	34119182	4	M20 x 80 Bolt	
25	34321529	8	Bearing	361204 R
26	34105718	8	Spacer	6206 2RS
27	34351006	4	Eccentric Boss	A 30
28	34233000	8	M 20 Locknut	
29	34232901	8	M 20 Half nuts	
30	Z01-24-2618	10	Plastic Hose Clamps (set)	18 mm
31	Z01-24-28	10	Steel Top Clamp	
32	Z26-042B	10	M8 * 35 Bolt	

2.1. Cut & Start



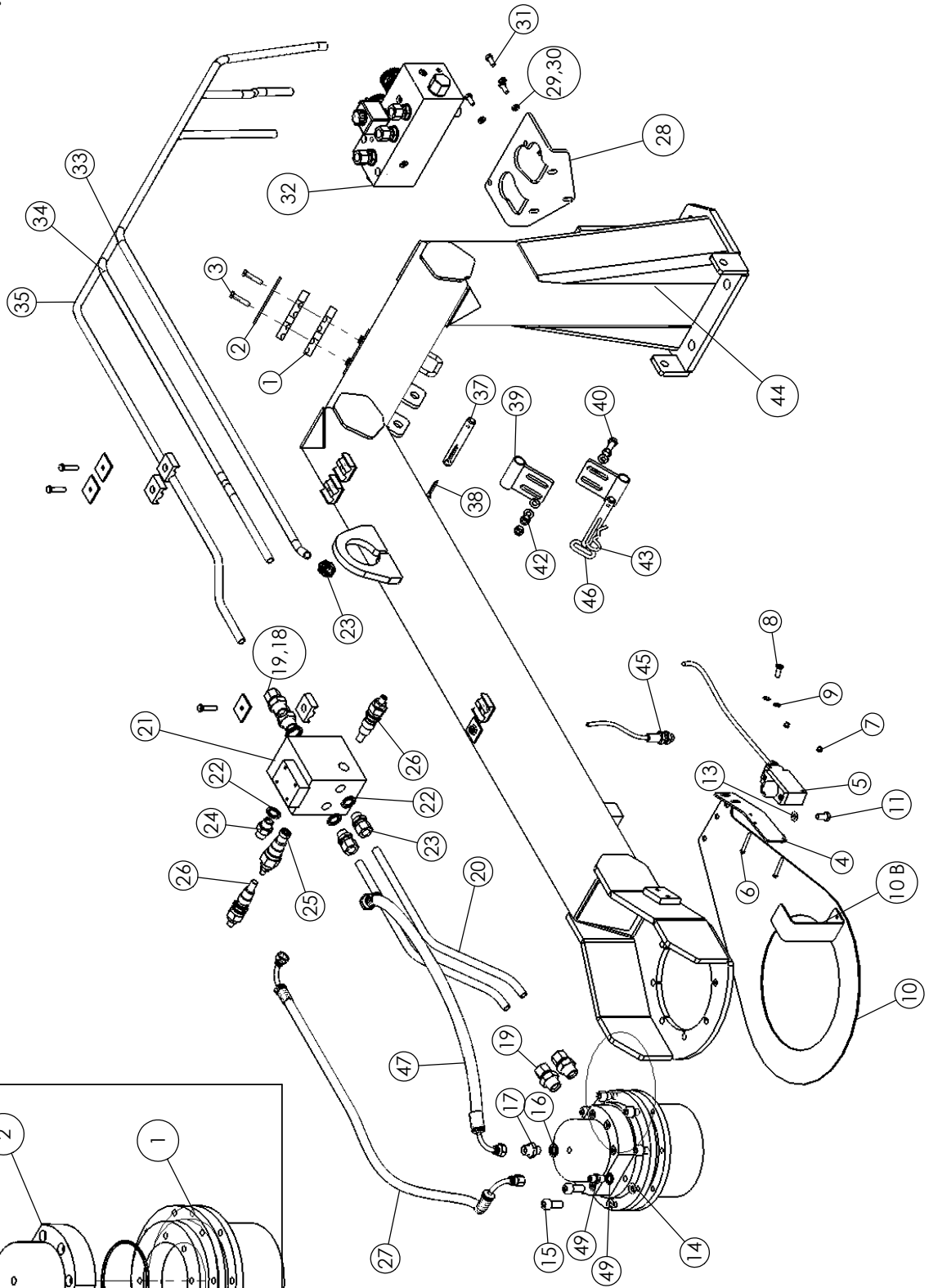


Tanco Auto wrap 1300
Spare parts list

2.2. Cut and Start Parts List

ITEM	PART NO.	QUANTITY	DESCRIPTION	Dimension
	34920607		C&S complete	
1	34670195	1	C&S Base Frame	
2	34920597	1	Fastening bracket	
3	34321518	1	Brass Bearing	20/28 x 16 -35 x 4
4	Z11-02-081	4	M 8 Mud Washer	
5	34112700	7	M8 x 30 bolt	
6	34230500	8	M8 Locknut	
7	34302121	8	M 8 Flat Washer	
8	34110003	1	M 8 Bolt	M8 x 45
9	34920525	1	Pivot Casting Base	
10	34240704	4	Cir clip	A 25
11	34105631	1	Bottom Pin for C&S	
12	34105632	1	Top Pin for C&S	25 mm
13	1308151	1	C&S Cylinder	40/20
13a	34043800	1	Seal Kit for cylinder	
14	Z39-66	2	M6 Grease nipple	
15	Z01-21-06	2	3/8" Banjo Bolt	
16	Z01-04-02	4	3/8" Dowty washer	
17	34920585	1	Pressure Plate	
18	34450428	1	Rubber strip	
19	34911039	1	Knife blade	
20	34150007	15	Pop Rivet	
21	34430301	4	Spring	
22	34480009	1	Plastic sleeve	32.2 x 1.9
23	34611422	1	Cutter Arm	
24	34920524	1	Pivot Casting Top	
25	34119142	1	Stud Screw	M8 x 35

3.1. Eh Tower



Motor and Gearbox
assembly

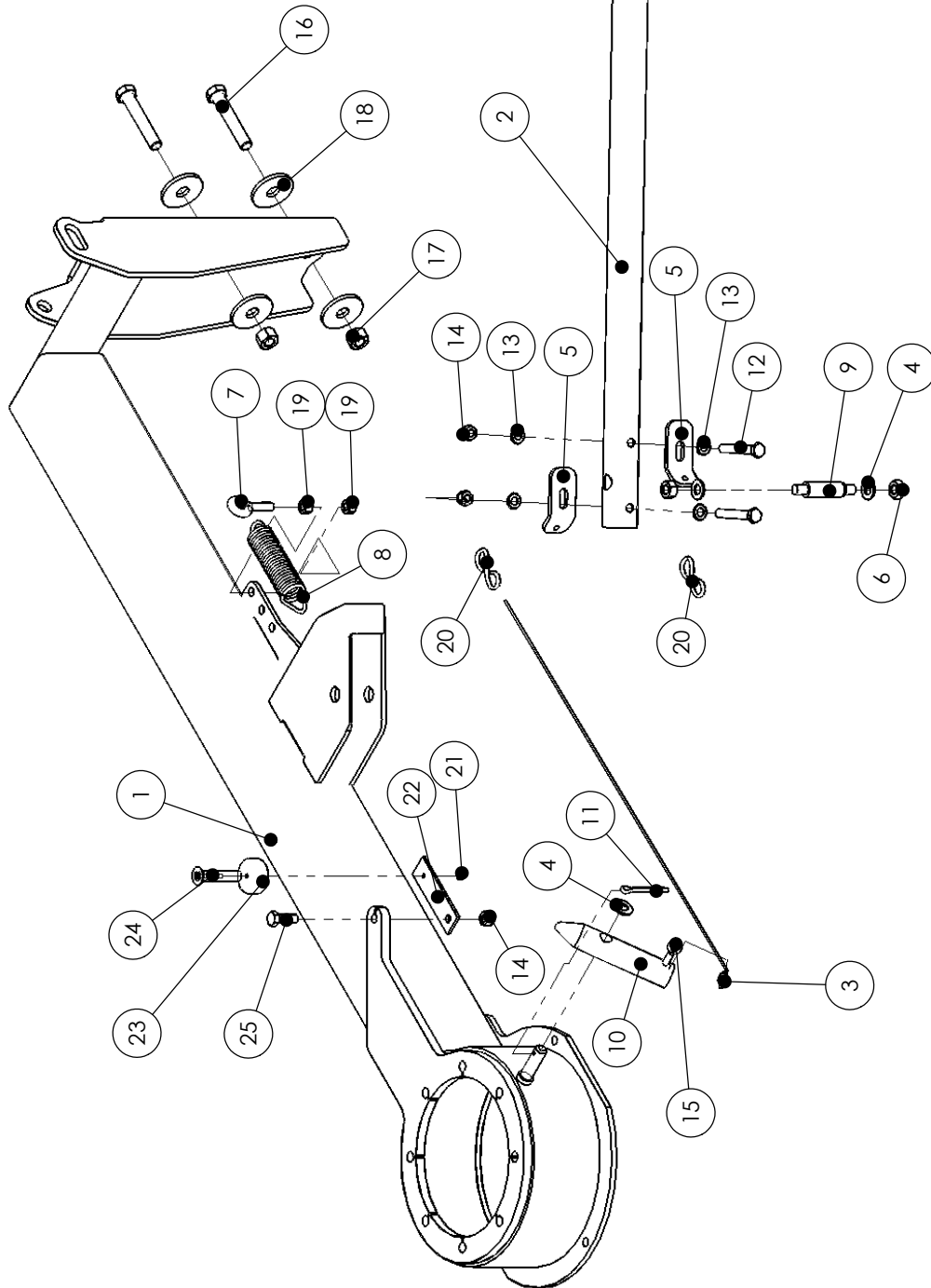


Tanco Auto wrap 1300 Spare parts list

3.2. Tower Parts list.

ITEM	PART NO.	QUANTITY	DESCRIPTION	Dimension
1	34260110	5	Plastic pipe clamps (set)	12 mm
2	34260167	5	Pipe Clamp tops	
3	Z26-022S	5	M6 * 30 Bolt	
4	34670128	1	Safety Switch Bracket	
5	34950179	1	Safety switch	
6	34119078	2	M4 x 40 Bolts	
7	Z23-04	2	M4 Locknuts	
8	Z26-019S	2	M6 * 16 Bolt	
9	Z12-02-06	2	M6 Spring washer	
10	1303533	1	Safety Switch Actuator	
10b	1303130	1	U bracket	
11	Z26-038S	2	Bolt M8 x 16	
13	Z12-02-08	2	M8 Spring Washer	
14	1303004	8	M10 Nordlock Washer	
15	M22LK17	8	M10 x 25mm Allen Head Bolt	
16	Z01-04-01	1	1/4" BSP Dowty Washer	
17	Z01-06-04-06	1	1/4" x 3/8" BSP M/M Adaptor	
18	Z01-04-03	4	1/2" BSP Dowty Washer	
19	1308506	4	1/2" x 12L Adaptor	
20	1303010	2	12L Hydraulic Pipe (Short)	
21	1308150	1	Tower valve complete	
21*	1308170	1	Reversing valve cetop.	
22	Z01-04-02	3	3/8" BSP Dowty Washer	
23	34061899L	3	3/8" x 12L Adaptor	
24	Z01-06-06-06	1	3/8" x 3/8" M/M Adaptor	
25	1308109	1	Load holding valve	
26	1308108	2	Cross line relief valve	
27	1308169	1	1/4" hose to 1/8"(see hose kits)	
28	1503001	1	Adjustment Valve mounting	
29	Z10-02-06	3	M6 Flat Washer	
30	Z12-02-06	3	M6 Spring Washer	
31	Z26-019S	3	Bolt M6 x 16	
32	1508000	1	Adjustment block compl	
33	1308553	1	12L Pipe (Tank)	
34	1308552	1	12L Pipe (Return)	
35	1308551	1	12 L pipe Feed	
37	34105677	1	Retainer Hinge Pin	
38	34221200	2	Split pin 4 x 40	
39	34251440	2	Locking stay	
40	34110000	2	M8 x 25 Bolt	
41	Z10-02-08	4	M8 Flat Washer	
42	34230500	2	M8 Locknut	
43	34210000	1	R-Clip	4 mm
44	1303000	1	1300 Tower 05	
45	1309203	1	RDS Sensor 4 m	
46	34105676	1	Locking Pin-wrapping arm	
47	Z04-015	1	1/8" BSP Dowty washer	
48	1308620	1	1/8" x M10 Adaptor	
Motor & Gearbox Assembly				
	1308610	1	Gearbox & motor complete assy	
1	1308611	1	Gearbox c/w brake	6.09:1
	1308602	1	Hydraulic brake kit	
2	1308613	1	Hydraulic motor BRZL	100 cc
3	1308604		Motor Seal kit complete	
4	Z13-6-08x35	4	M8 x 35 socket headed bolt	

4.1 Wrap Arm: Exploded View

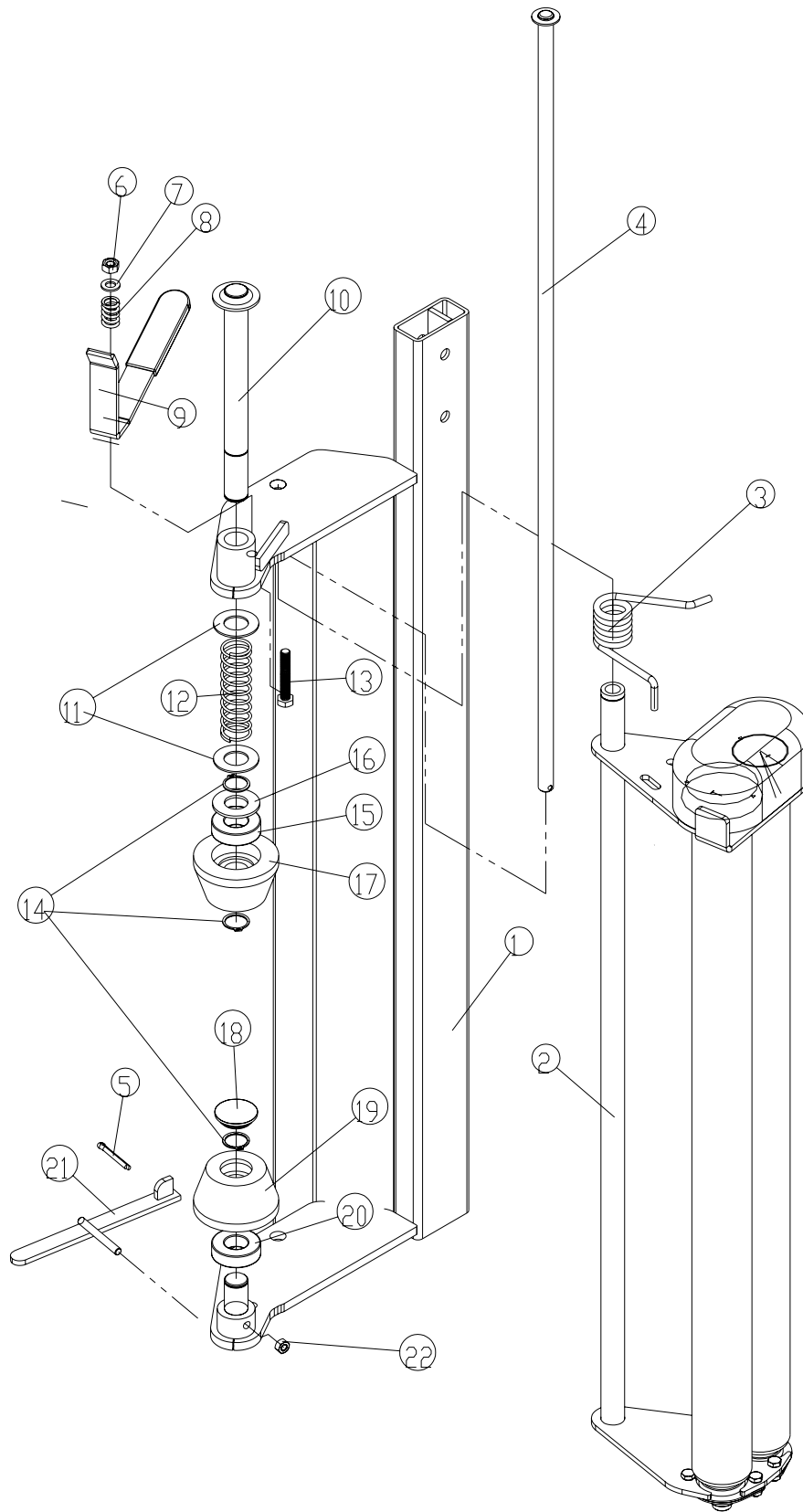




4.2. Wrap Arm Parts List

ITEM	PART NO.	QUANTITY	DESCRIPTION	Dimension
1	1304000	1	Wrap Arm	
2	34611357	1	Emergency stop arm	
2a	34480020	1	Foam Padding	
3	34911102	1	Releasing Wire	
4	34302122	3	Washer	10 mm
5	34670152	1	Spring Bracket	
6	34230900	2	Locknut	M10, DIN 985
7	34119043	1	Eye Bolt	M8 x 25, DIN 933
8	34430300	1	Spring	
9	34105651	1	Hinge Bolt	
10	34911101	1	Rocker Arm	25 mm Nylon
11	34220200	1	Split Pin	4 x 36
12	Z26-047B	1	M 8 Bolt	M8 x 60, DIN 933
13	34302121	2	Washer	8 mm
14	34230500	1	Locknut	M8, DIN 984
15	34120311	1	Hinge Screw	M6 x 45
16	34117500	2	M12 x 70 Bolt	
17	34231300	2	M12 Locknut	
18	34302135	4	M12 Heavy Washer	13 x 40 x 2
19	34230400	1	M8 Nut	
20	34660111	1	S Hook	35 mm x 4
21	Z23-06	1	M6 locknut	
22	1304001	1	Magnet mounting bracket	SS
23	1309201	1	RDS Magnet	
24	Z26-022S	1	M6 x 30 Bolt	
25	Z26-040S	1	M8 x 25 SET	

5.1. Dispenser: Exploded View



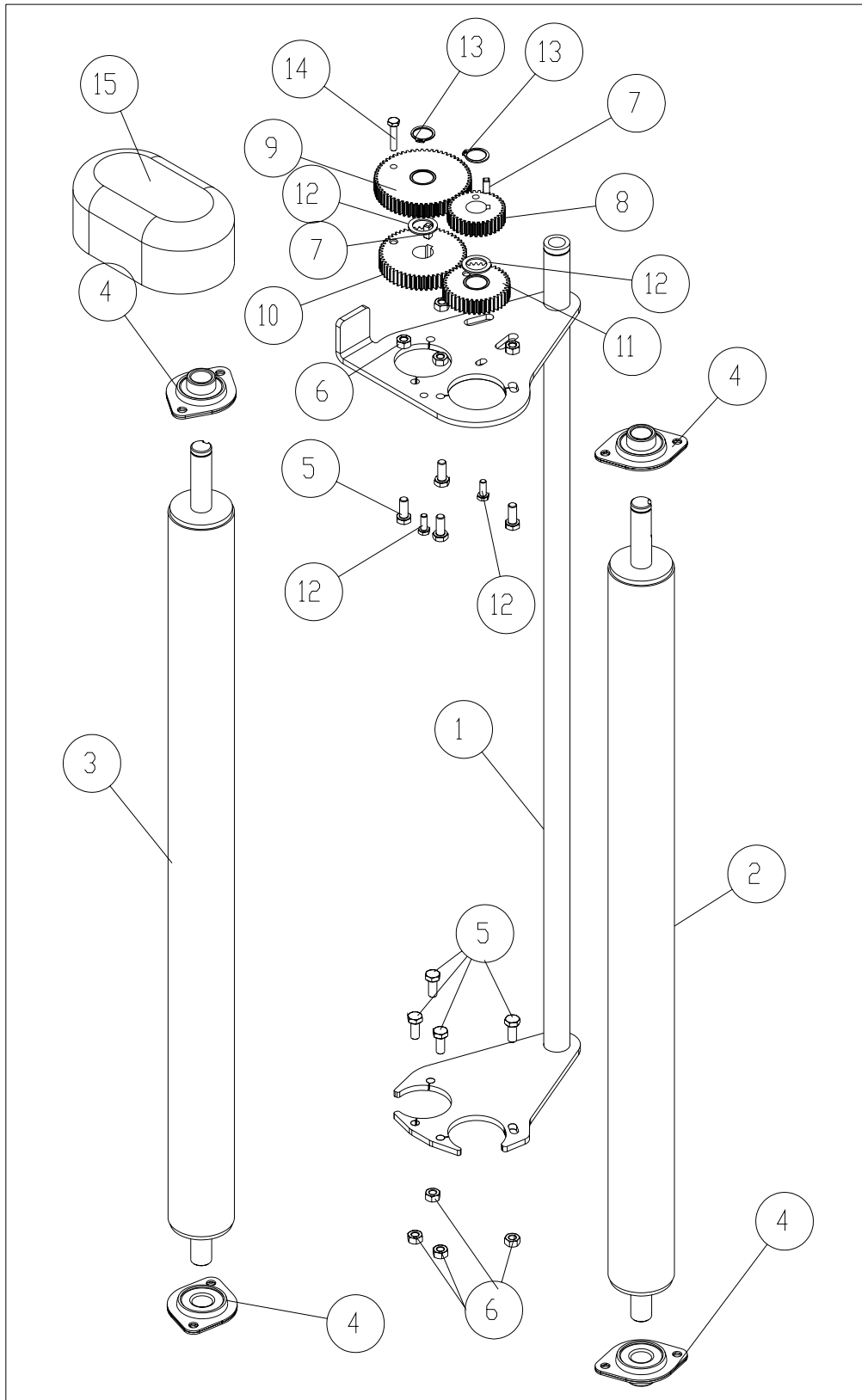


Tanco Auto wrap 1300
Spare parts list

5.2. Dispenser Parts list

ITEM	PART NO.	QUANTITY	DESCRIPTION	Dimension
	1505000	1	Complete Dispenser	
1	1505001	1	Dispenser Frame	
2	1305100	1	Roller sub-assembly	
3	1305034	1	Torsional spring	
4	1305030	1	Pivot pin	
5	1305033	1	Split pin	
6	Z23-10	1	M.10 Locknut	
7	34302122	2	M 10 flat washer	
8	1305027	1	Top latch Spring	
9	1305026	1	Top latch	
10	1305022	1	Top shaft	
11	1305020	2	25mm dia. flat washer	
12	1305021	1	Top shaft Spring	
13	1305025	1	M10 x 60 Hex bolt	
14	1305017	3	Cir-clip for shaft OD 25 mm	
15	34302122	2	M 10 flat washer	
16	1305020	2	25mm dia. flat washer	
17	1305019	1	Upper cone	
18	1305018	1	Plastic cap 1 1/4"	
19	1305016	1	Bottom cone	
20	1305015	2	Bearing	
21	1305010	1	Dispenser latch bottom	
22	Z23-08	1	M.8 Locknut	

5.3. Dispenser Roller Insert: Exploded



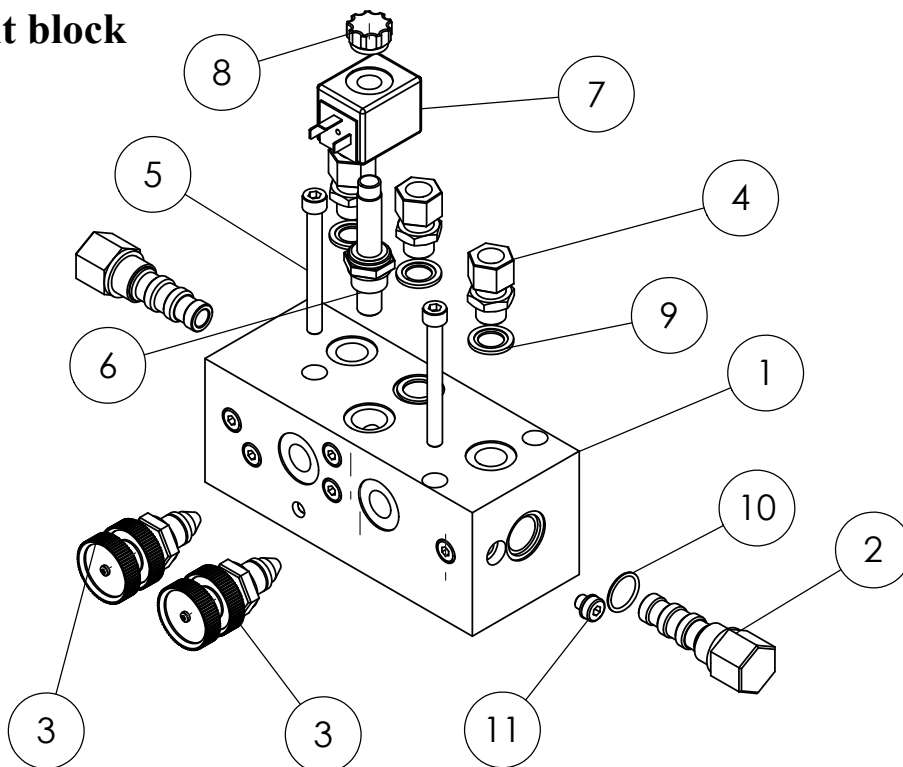


5.4. Dispenser Roller insert: Parts list

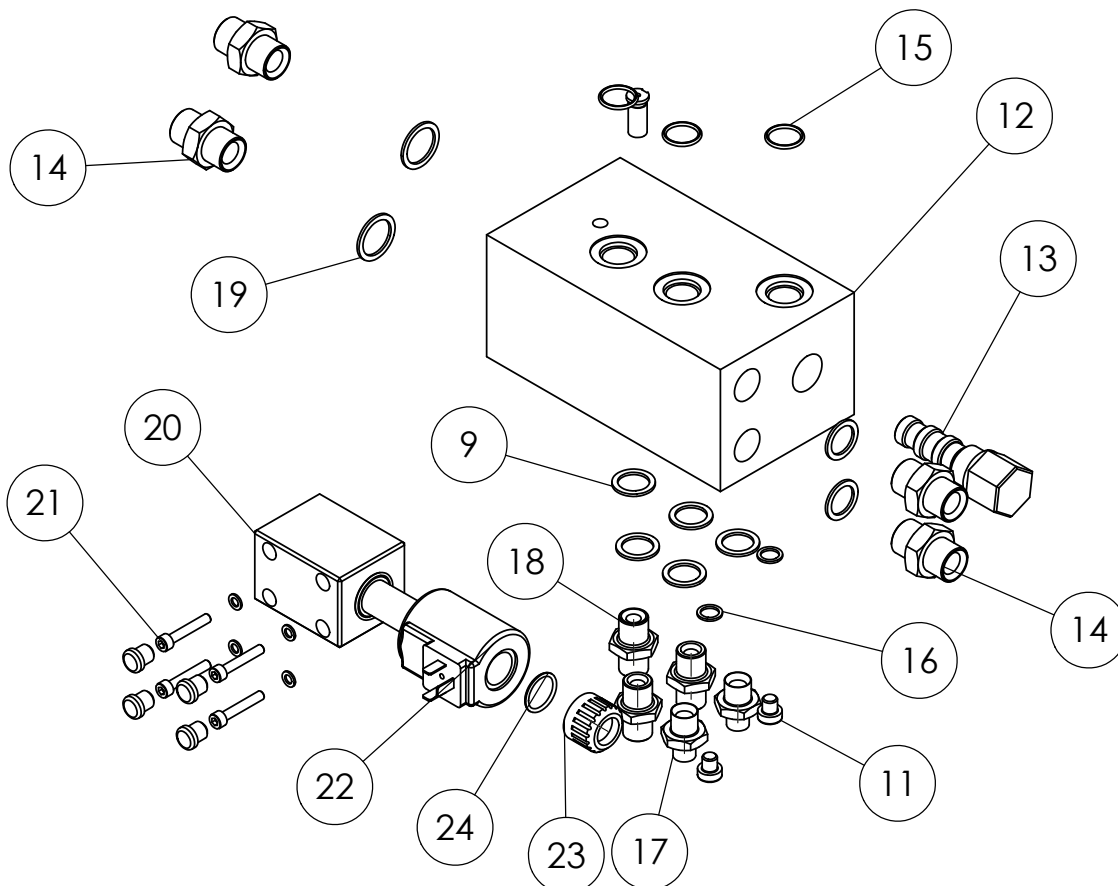
ITEM	PART NO.	QUANTITY	DESCRIPTION	Dimension
	1305100	1	Dispenser Roller insert complete	
1	1305110	1	Insert Frame	
2	1305120	1	Inner Roller	
3	1305121	1	Outer Roller	
4	1305122	4	Bearing	RHP SLF20A
5	Z26-039S	8	M8 * 20 Bolt	
6	Z23-08	8	M8 Locknut	
7	1305123	2	6 mm square key steel	15 mm long
8	1305101	1	60 t gear	16 mm
9	1305102	1	35 t gear	16 mm
10*	1305105	1	54 t gear	16 mm
11*	1305106	1	41 t gear	16 mm
10	1305103		58 t Gear	16 mm
11	1305104		37 t Gear	16 mm
13	1305124	2	20 mm external cir-clip	
11	1305125	1	Gearbox cover	
12	Z26-018S	2	M6 * 16 mm bolt	

* Indicates optional 33 % Stretch gears

6.1 Adjustment block



1300 S Entry Block





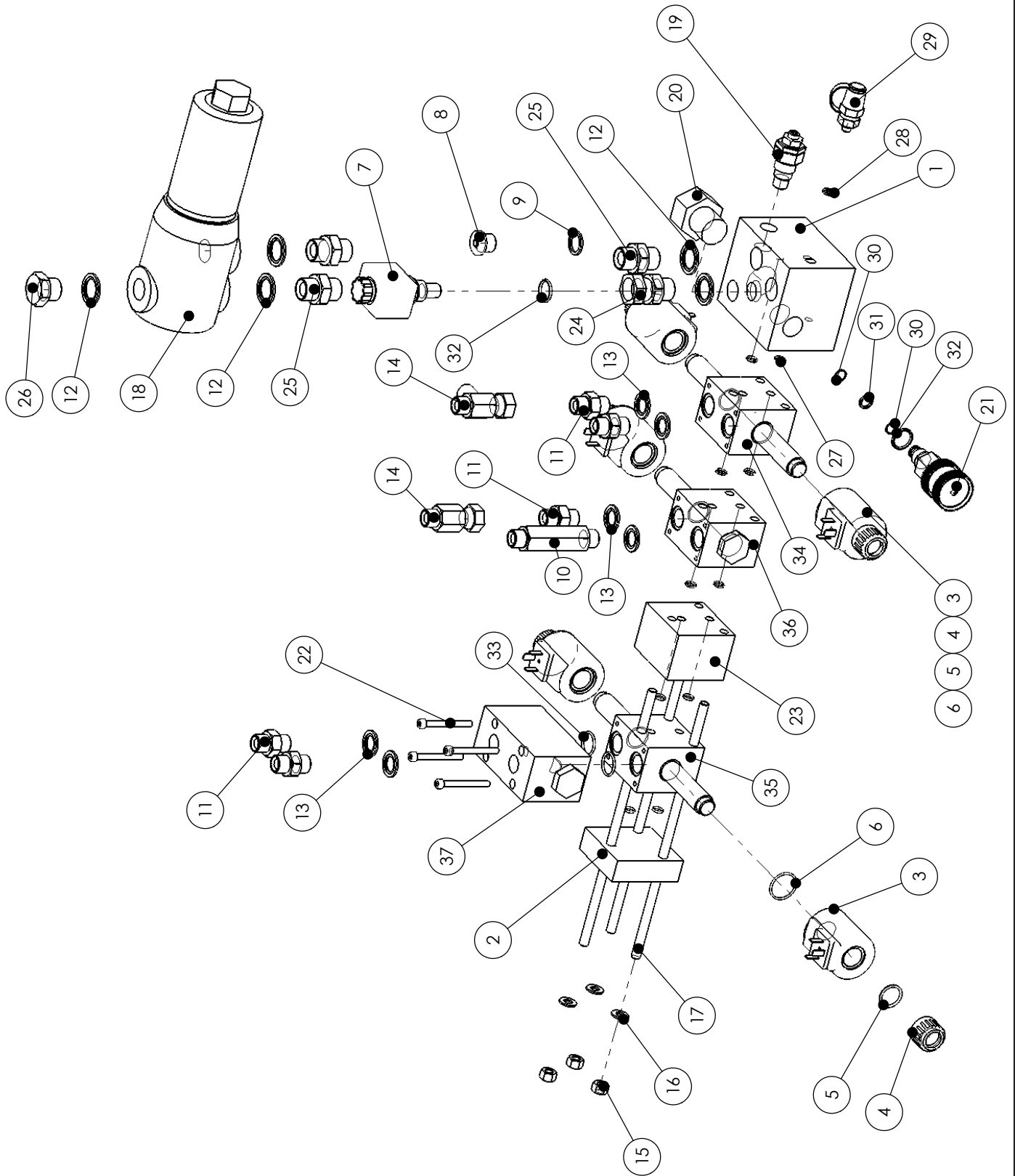
Tanco Auto wrap 1300
Spare parts list

6.2 Adjustment Block and 1300 S Inlet Block Parts list

ITEM NO.	PART NUMBER	QTY.	DESCRIPTION	DIMENSION
	1508000		Adjusting block complete	
	1308260		1300 S Adjusting block complete	
2	1308207	1	Adjusting block empty	
2	1308251	2	Pressure compensator valve	
3	1308252	2	Flow control valve	
4	34061899	3	Fitting 3/8" to 12 L	
5	34119028	3	M8 x 80 socket headed bolt	
6	1508002	1	2-Speed Valve	
6*	1308261	1	N/Closed valve	
7	1308202	1	12 V Coil for 2-Speed/Master	
8	1308205	2	Plastic nut for 2-Speed/Master	
9	Z01-04-02	8	3/8"BSP Dowty Washer	
10	1308219	1	Seal kit adjustment block	
11	1308115	6	1/8" Male Plug	
1300 S	Entry Block			
12*	1308750		1300 S Entry Block complete	
	1308751	1	1300 S Entry Block empty	
13*	1308752	1	P/O Diverter valve	
14*	Z01-06-08-08	4	1/2" to 1/2" M/M Fitting	
15*		1	1300 S entry Block seal kit	
16*	1308224	2	1/8" copper washer	
17*	Z01-06-04-06	2	3/8 to 1/4" M/M fitting	
18*	Z01-06-06-06	3	3/8 to 3/8" M/M fitting	
19*	Z01-04-03	4	1/2" Copper Washer	
20*	1308753	1	1300 S Cetop Diverter valve	
21*	1308221	4	M5 x 30 socket head bolt	
22*	34087321	1	12V DC Coil	
23*	1308220	1	Plastic Nut For 12V DC Coil	
24*	13082232	1	Solenoid Seal Kit	

* indicates 1300 S model only

6.3 1300 EH Inlet & Control Valve





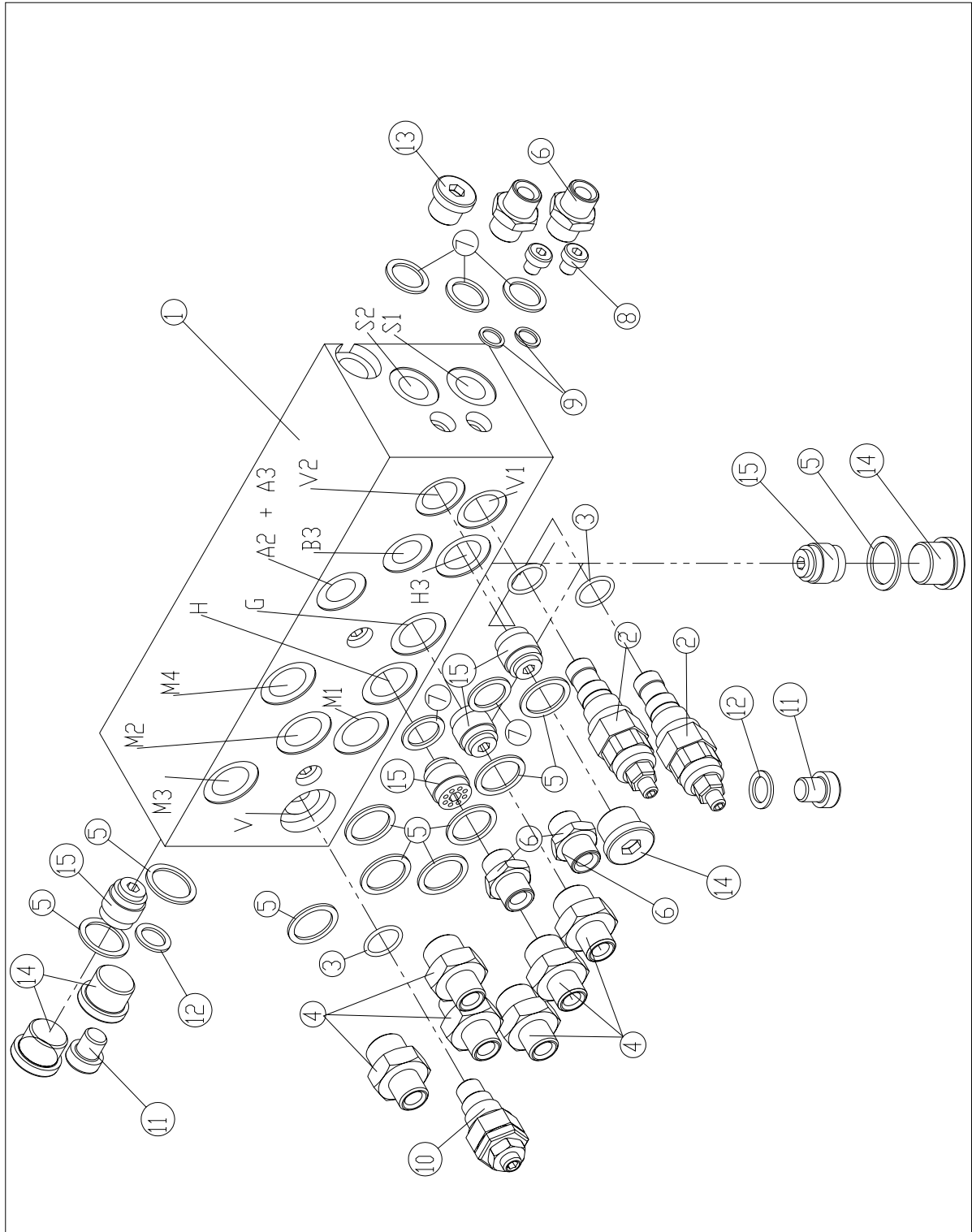
Tanco Auto wrap 1300
Spare parts list

6.4 Inlet and Control Block Parts list

ITEM NO.	PART NUMBER	QTY.	DESCRIPTION	DIMENSION
	1308700		Entry & Control Block Complete Assembly	
1	1308701	1	Control Block	
2	1308706	1	End Plate	
3	34087321	5	12V DC Coil	
4	1308220	5	Plastic Nut For 12V DC Coil	
5	13082232	5	Solenoid Seal Kit	
6	13082232	5	Solenoid Seal Kit	
7	1308708	1	Master Valve Complete	
8	1308308	2	3/8" Male Plug	
9	1308226	2	3/8" Copper Washer	
10	Z01-06-06L	1	3/8" Long Body Adaptor	
11	Z01-06-06-06	5	3/8" to 3/8" BSP Male/Male Fitting	
12	Z01-04-03	5	1/2" BSP Dowty Washer	
13	Z01-04-02	6	3/8"BSP Dowty Washer	
14	Z01-12-0022	2	3/8" BSP FMM Tee	
15	34230500	3	M8 Locknut	
16	34302121	3	M8 Washer	
17	1308713	3	Tie Rod	
18	Z01-24-08	1	Filter	
19	1308206	1	Main Relief Valve	
20	1308712	1	Compensator Valve	
21	1308252	1	Flow Control Valve	
22	1308715	4	M5 X 60mm Socket Head Bolt	
23	1308707	1	check Valve Block	
24	Z01-05-08-08	1	1/2" X1/2" Male/Female Adaptor	
25	Z01-06-08-08	3	1/2" X 1/2" BSP Male/Male Adaptor	
26	Z01-06-MB08	1	1/2" Male Blank	
27	1308714	10	Entry & Control Block Seal Kit	611-4498/108.90 SCH
28	1308714	1	Entry & Control Block Seal Kit	008-4470/2018.70sh
29	1308710	1	1/4" Test Point	
30	1308714	2	Entry & Control Block Seal Kit	10 x 12.7x 0.8
31	1308714	1	Entry & Control Block Seal Kit	012-4470/2037.70 sch
32	1308714	2	Entry & Control Block Seal Kit	I.D. 16.3 x 2.21 90 sch
33	1308714	2	Entry & Control Block Seal Kit	020-4498/2887.90 sch
34	1308704	1	2 Dir Spool Valve (c/w solenoid)	
35	1308702	1	2 Dir. Spool Valve-C&S (c/w Solenoid)	
36	1308703	1	1 Dir. Spool Valve (cw solenoid)	
37	1308705	1	Pilot Control Non-Return Valve	

Note: Tanco recommend that if a fitting with a copper washer is opened, the copper washer should be replaced to ensure leak free operation. Dowty washers of the same size can be used.

6.5. Assembly Block Exploded



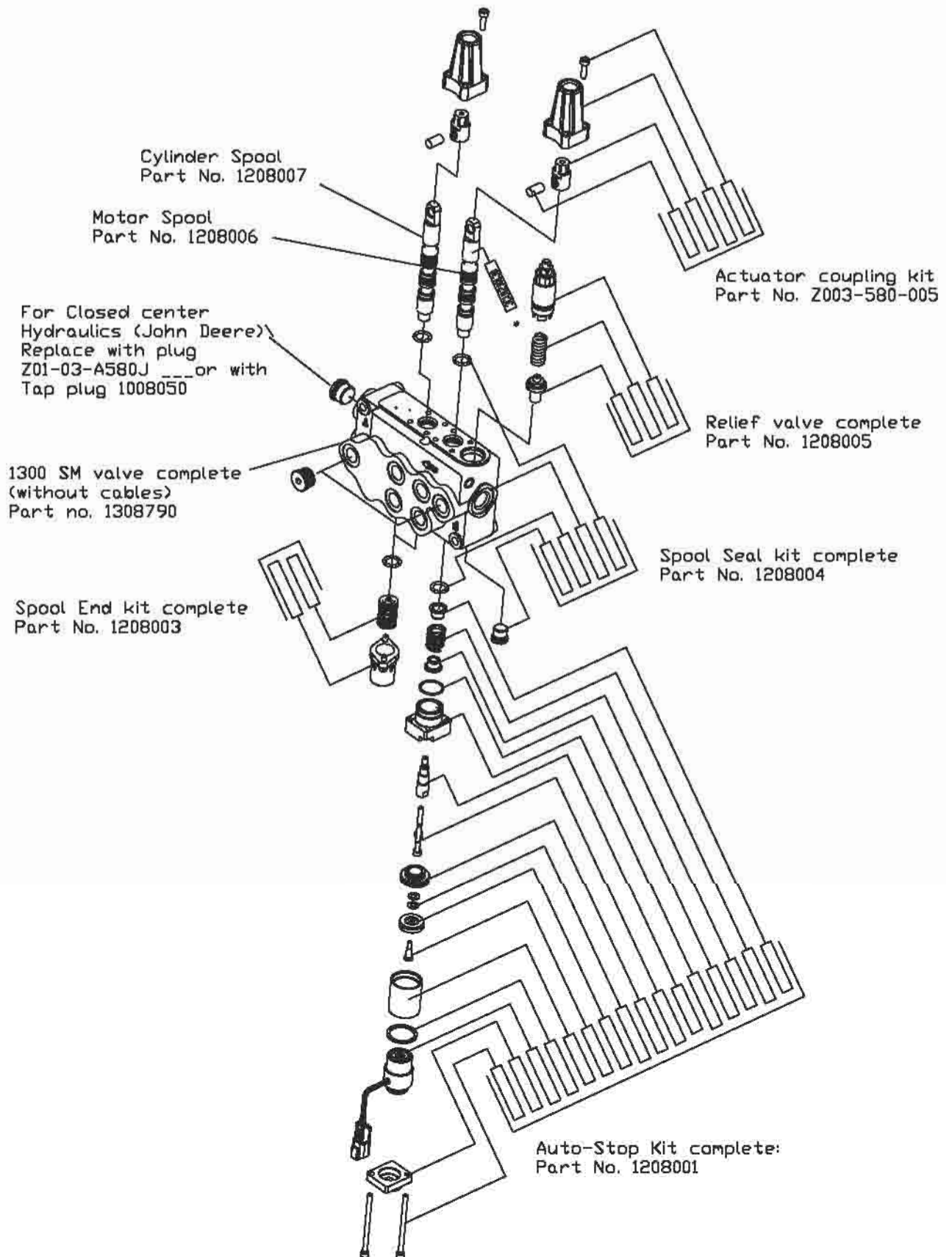


6.6. Assembly Block Parts list.

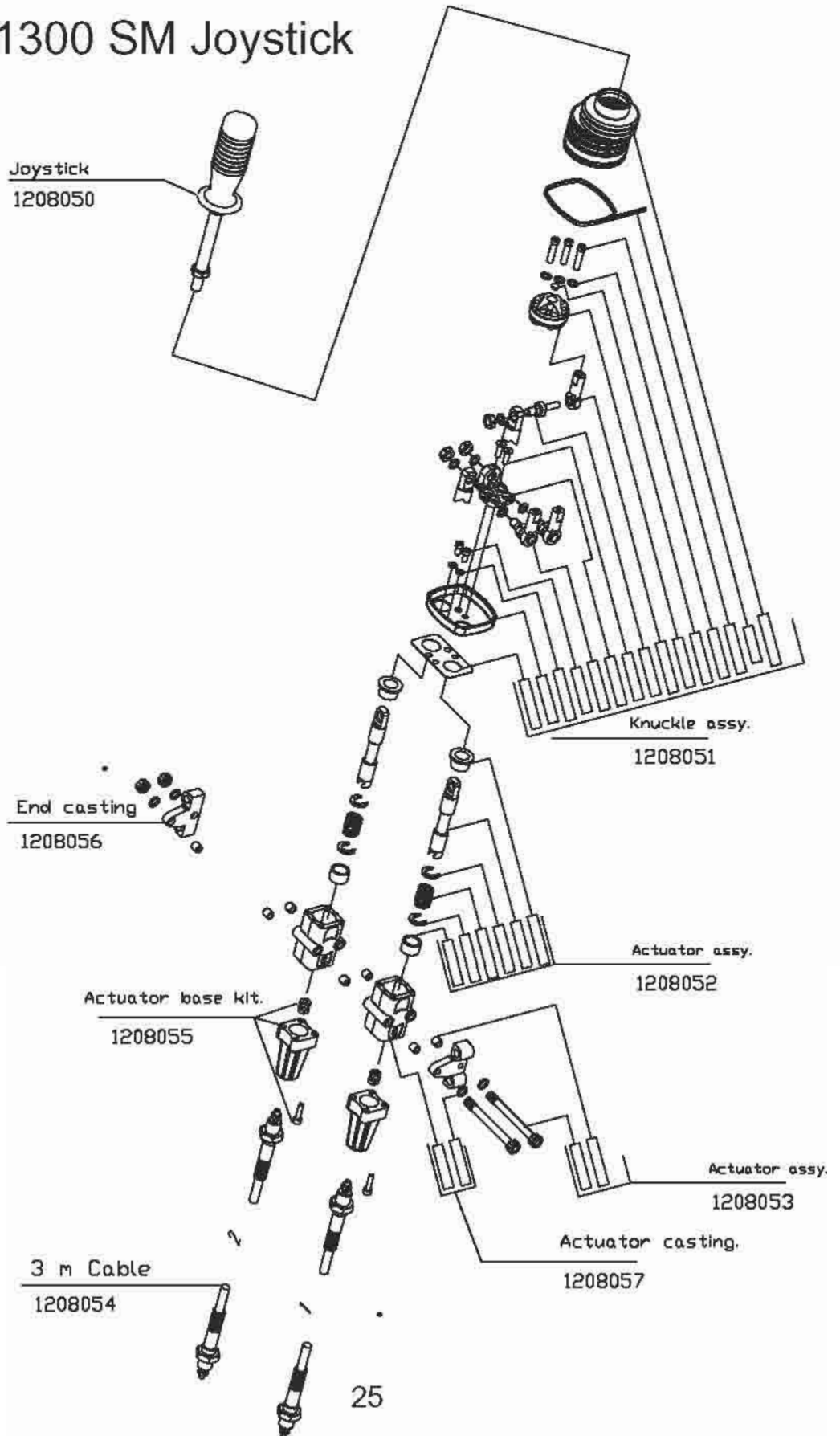
ITEM	PART NO.	QUANTITY	DESCRIPTION	Dimension
	1308300		Assembly Block Complete	
1	1308301	1	Assembly block Empty	
2	1308304	2	Over Centre Valve	
4	Z01-06-06-08	6	1/2" to 3/8" M/M fitting	
5	1308227	9	1/2" Copper Washer	
6	Z01-06-06-06	4	3/8 to 3/8" M/M fitting	
7	1308226	5	3/8" Copper Washer	
8	1308115	2	1/8" Male Plug	
9	1308224	2	1/8" copper washer	
10	1308303	1	Throttle Valve	
11	1308114	2	1/4" Male Plug	
12	1308225	2	1/4" copper washer	
13	1308308	1	3/8" Male Plug	
14	1308229	2	1/2" Male Plug	
15	1308302	6	1/2" x 1.5 bar check valve	
	1308307		Seal Kit Assembly Block	
3		3	O-Ring	

Note: Tanco recommend that if a fitting with a copper washer is opened, the copper washer should be replaced to ensure leak free operation. Dowty washers of the same size can be used.

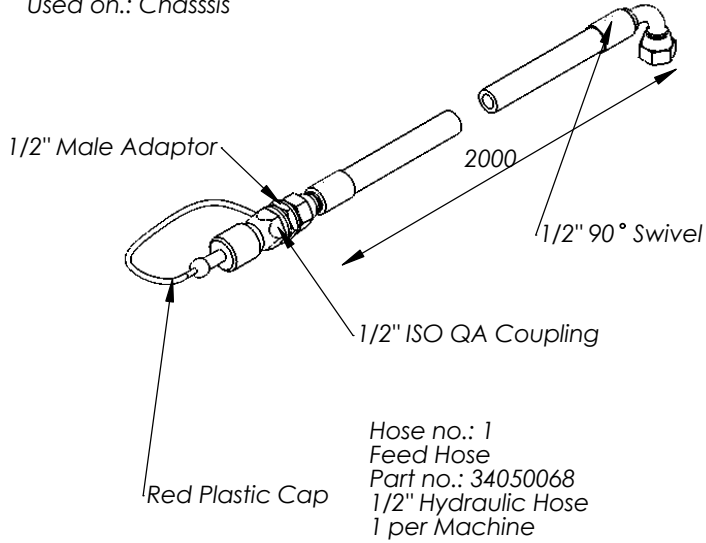
6.7 1300 SM control valve



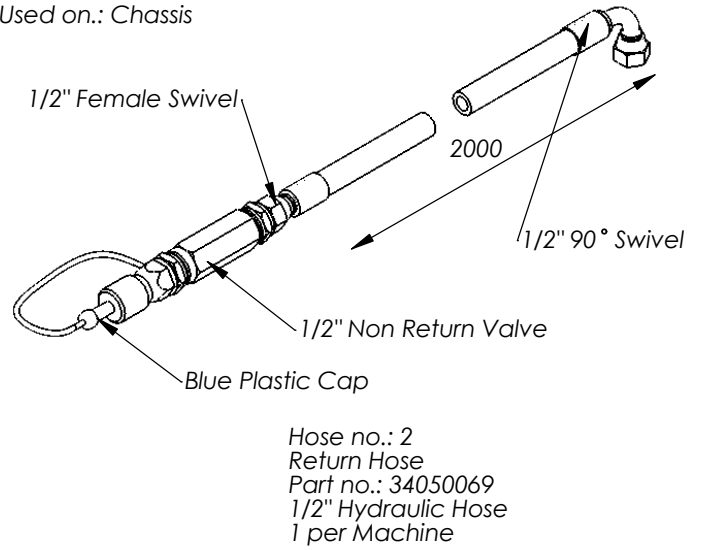
6.7 1300 SM Joystick



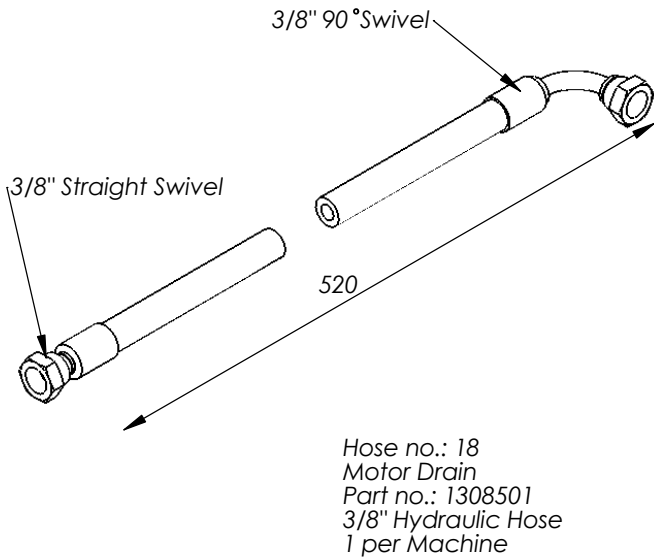
Used on.: Chassis



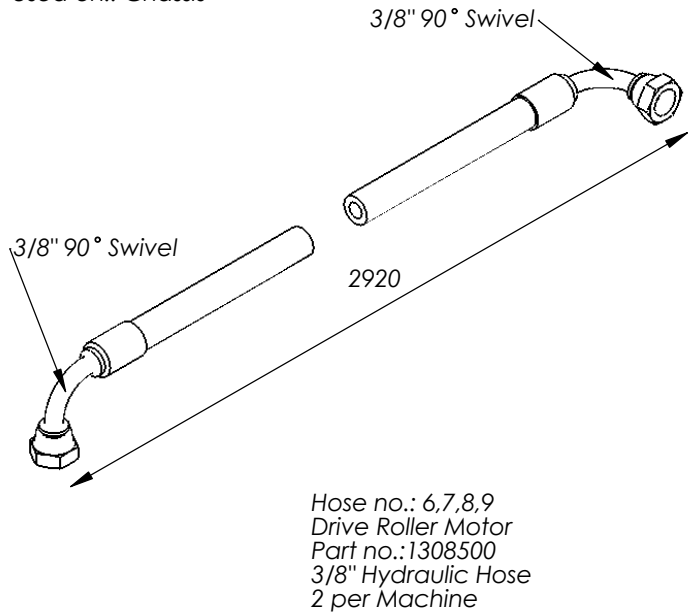
Used on.: Chassis



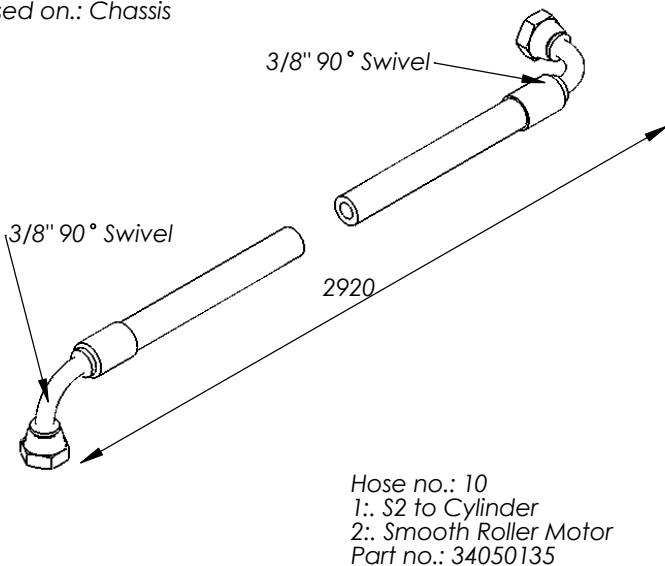
Used on.: Tower



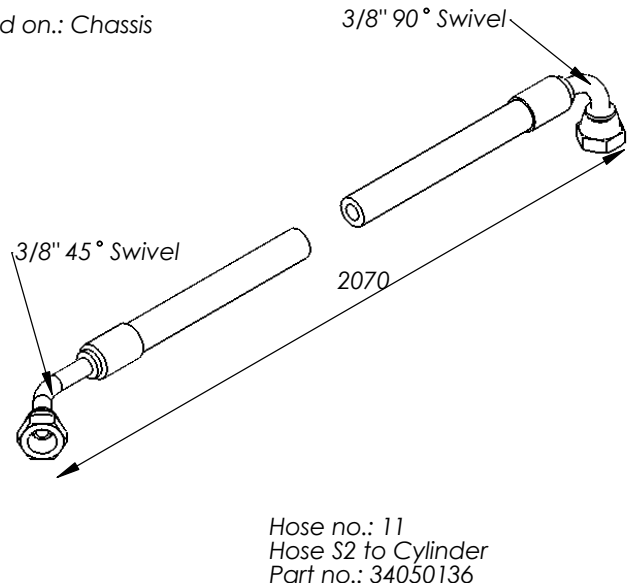
Used on.: Chassis



Used on.: Chassis



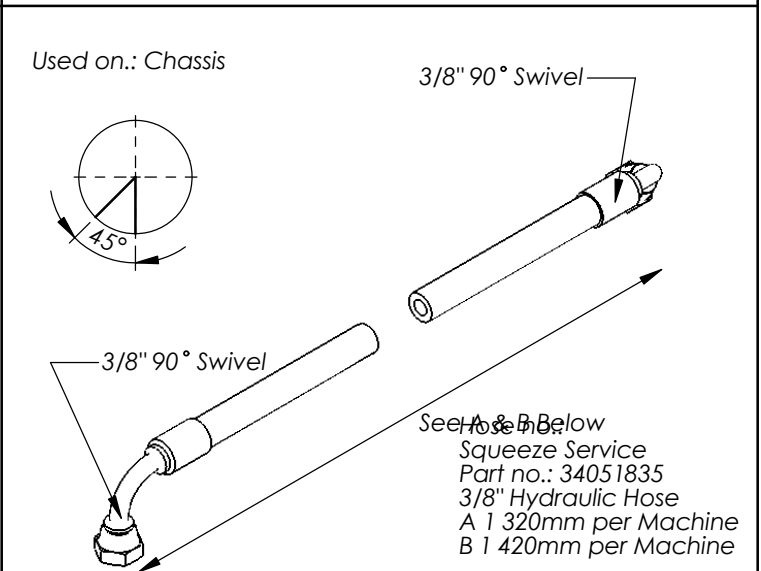
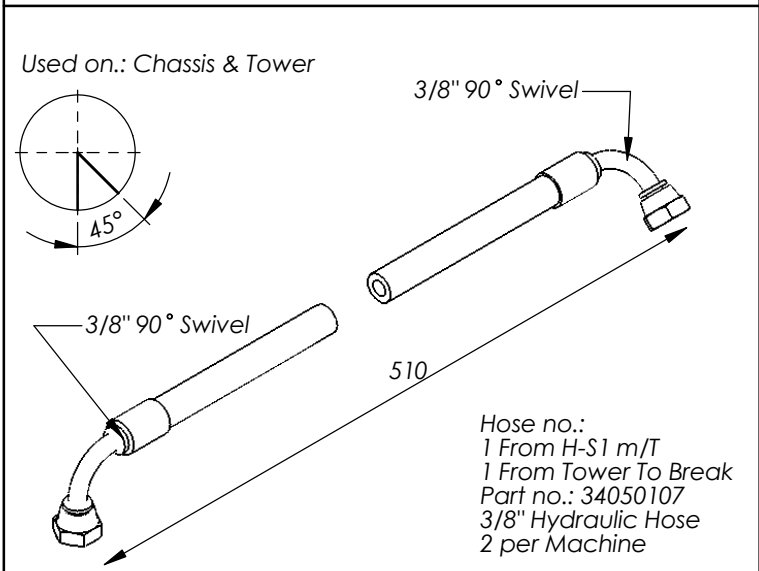
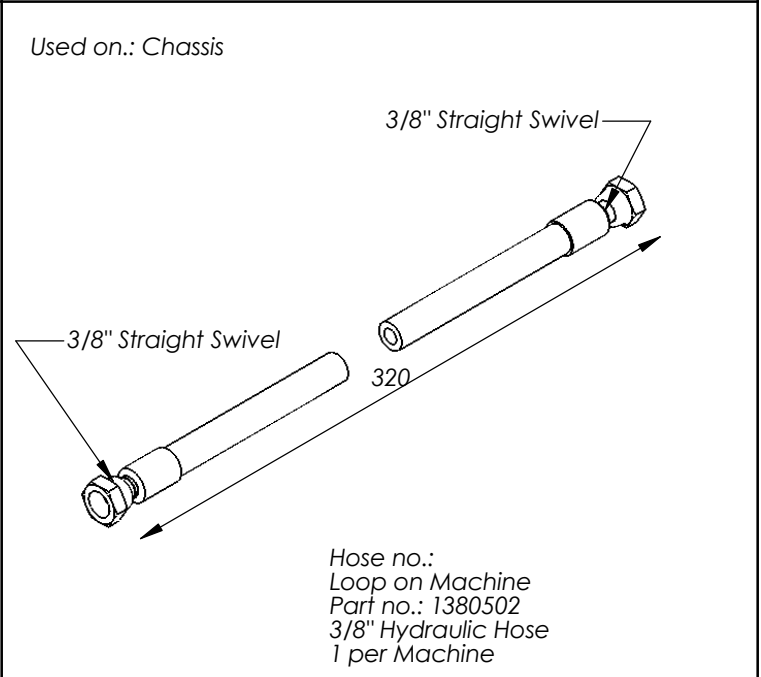
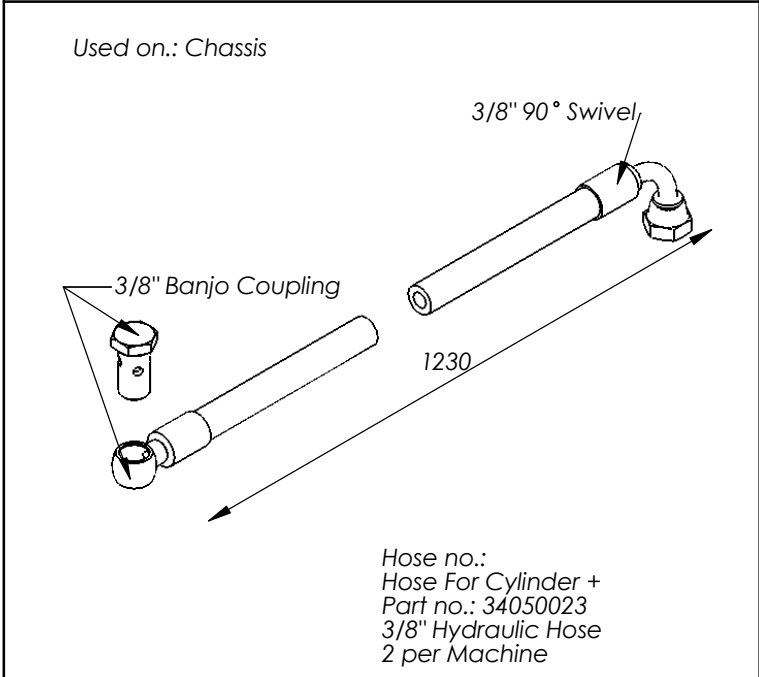
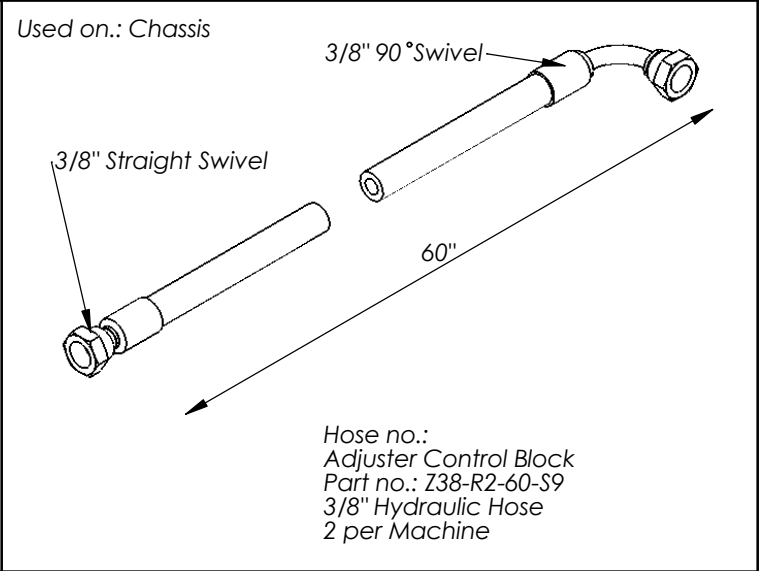
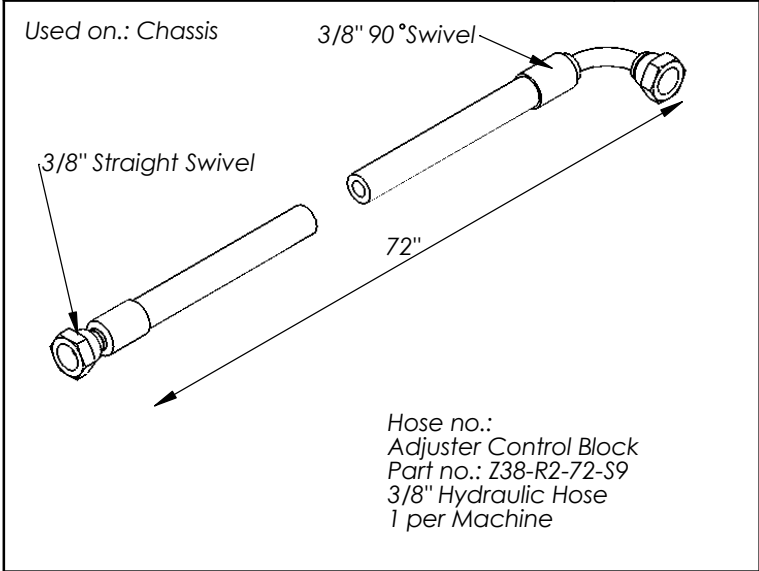
Used on.: Chassis





Hydraulic Hose Kit
Machine.: 1300
Model.: EH

Sheet 2 of 3

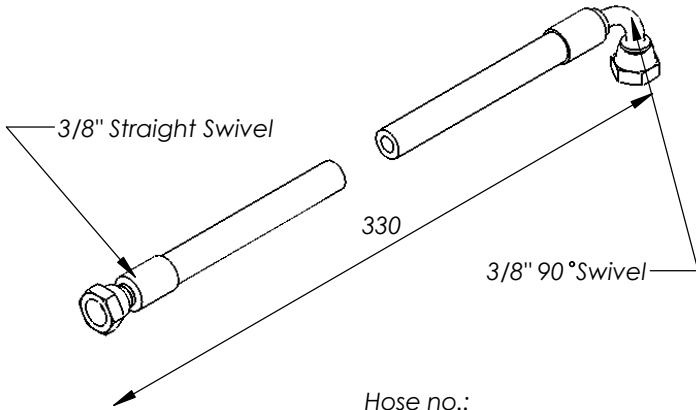




Hydraulic Hose Kit
Machine.: 1300
Model.: EH (Double Drive Rollers)

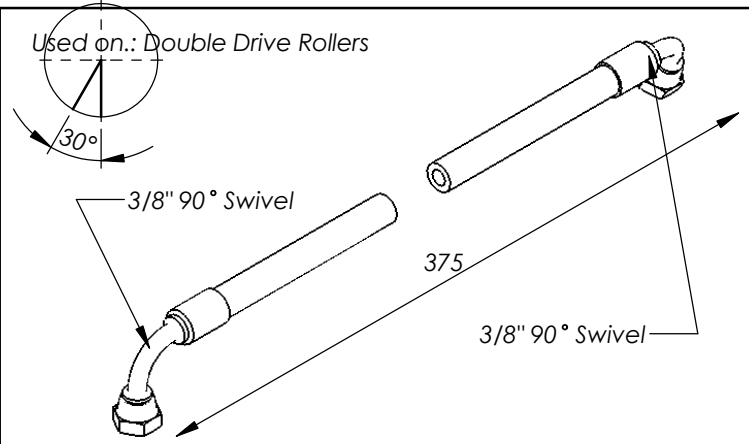
Sheet 3 of 3

Used on.: Double Drive Rollers



Hose no.:
 Double Drive Hose
 Part no.: 1308503
 3/8" Hydraulic Hose
 1 per Machine

Used on.: Double Drive Rollers



Hose no.:
 Double Drive
 Part no.: 1308504
 3/8" Hydraulic Hose
 1 per Machine

Used on.:

Hose no.:
 Desc
 Part no.:
 X/Y" Hydraulic Hose
 Z per Machine

Used on.:

Hose no.:
 Desc
 Part no.:
 X/Y" Hydraulic Hose
 Z per Machine

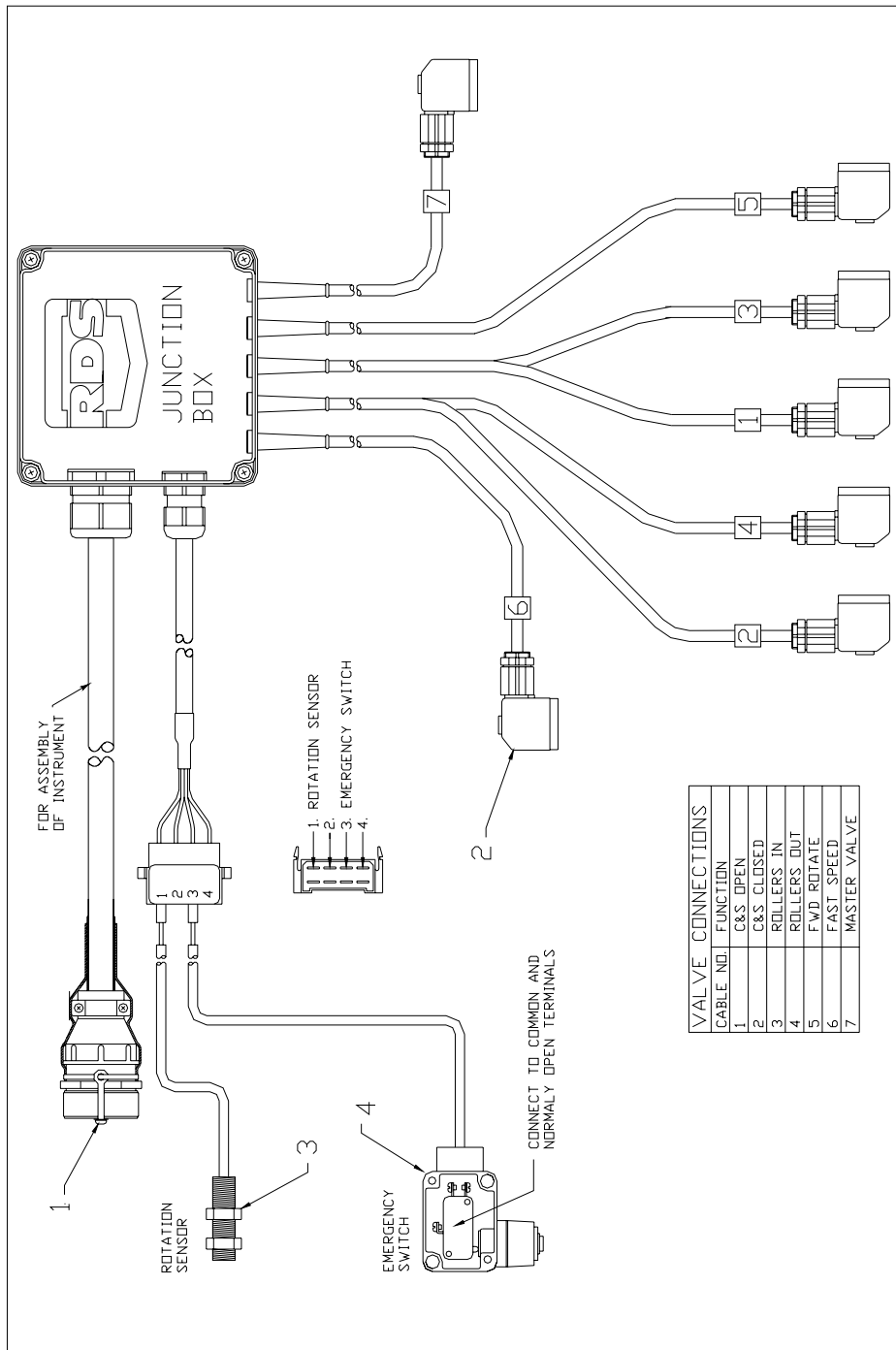
Used on.:

Hose no.:
 Desc
 Part no.:
 X/Y" Hydraulic Hose
 Z per Machine

Used on.:

Hose no.:
 Desc
 Part no.:
 X/Y" Hydraulic Hose
 Z per Machine

7.1 Junction Box.



VALVE CONNECTIONS	
CABLE NO.	FUNCTION
1	C&S OPEN
2	C&S CLOSED
3	ROLLERS IN
4	ROLLERS OUT
5	FWD ROTATE
6	FAST SPEED
7	MASTER VALVE

ITEM	PART NO.	QUANTITY	DESCRIPTION
	1309004	1	1300 Junction Box complete
1	1309003	1	Com Cable (3m) c/w 24 pin plug
2	1309005	7	Hirshmann c/w screw, gland and 0.7 m cable
3	1309203	1	RDS Sensor (4 m cable)
4	34950179	1	Emergency stop switch

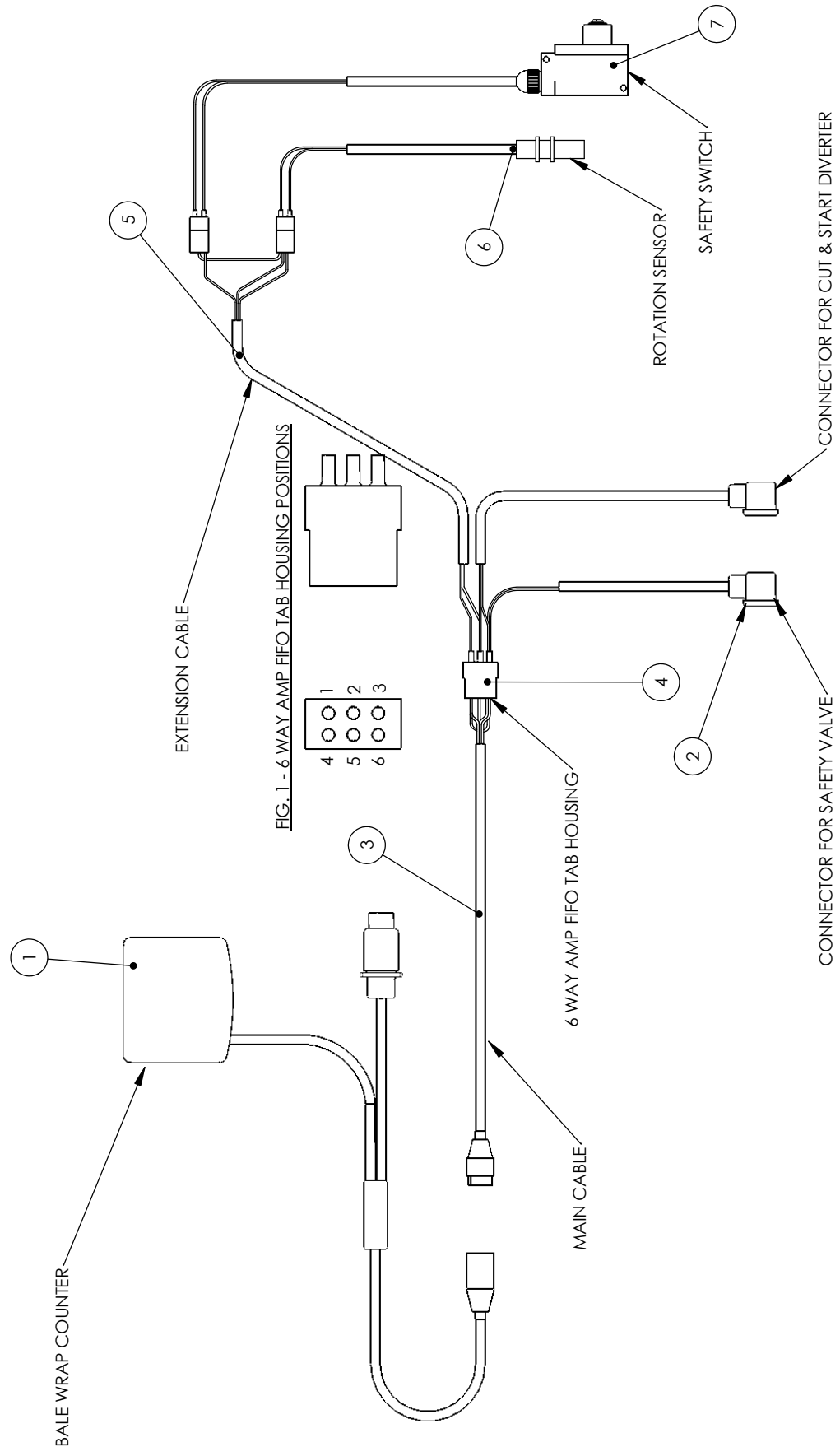
7.2. EH Controller



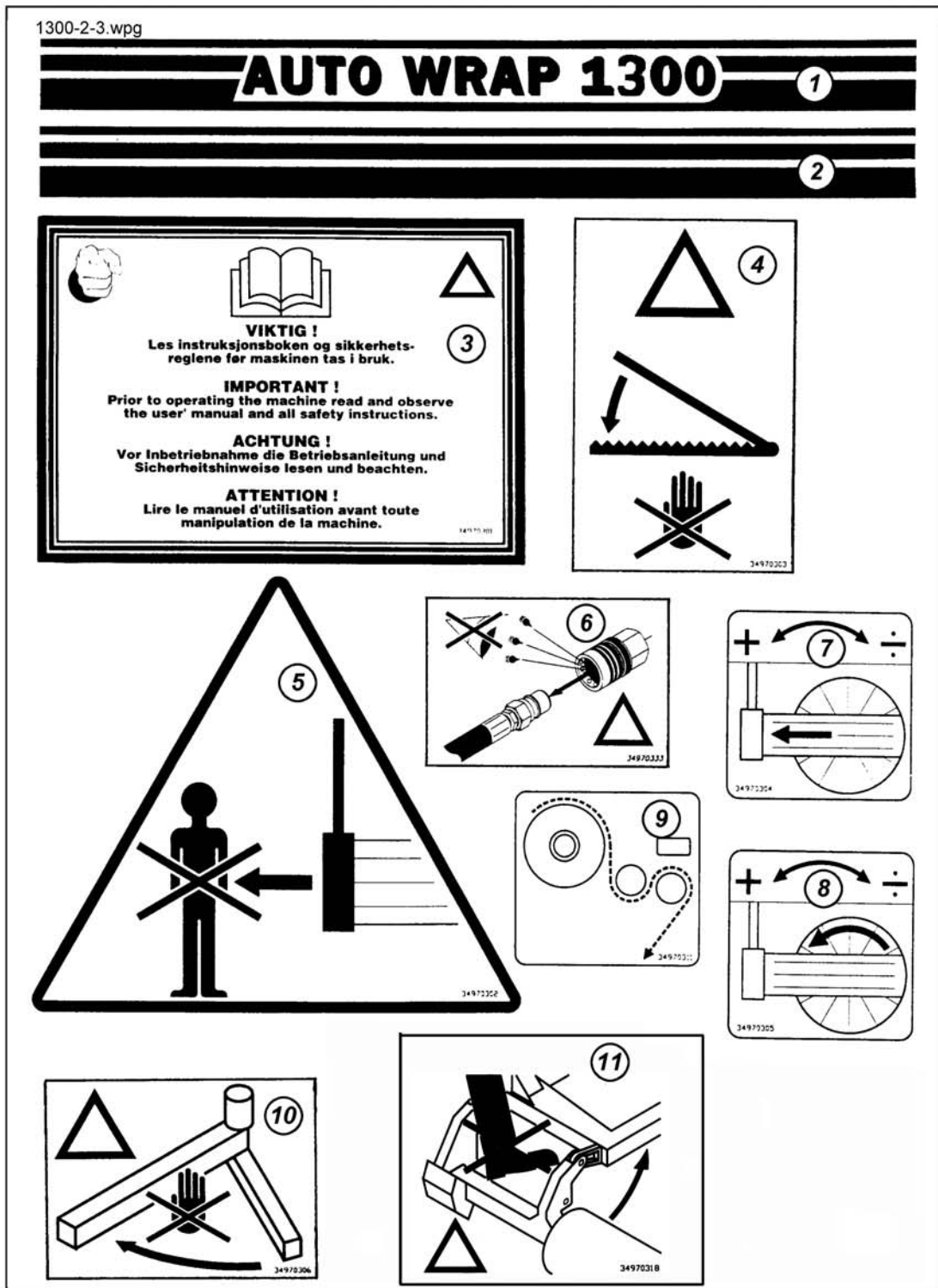
ITEM	PART NO.	QUANTITY	DESCRIPTION
1	1309006	1	RA Control Unit
2	1309001		RA Faceplate RDS
3	1309009	1	2 pin connector Female + 2 spade pins
4	1309011	1	Controller mounting bracket EH
5	1309012	1	Controller suction cup
	1309100		1300 Extension Cable (3m)
	1309007		EH Battery Cable (3m)
	1309010		2 pin connector male + 2 female pins

7.3 1300 S controller

ITEM NO.	PART NUMBER	DESCRIPTION	QTY.
1	1309400	1300 S Bale wrap counter	1
2	1309005	Hishmann and cable	1
3	1309205	8 way - 6 way adaptor cable	1
4	1309206	6 Way Amp FIFO Tab Housing	1
5	1309202	Input Extension Lead	1
6	34950179	Arm Rotation Sensor	1
7	34950179	Emergency switch	1
8	1309204	Battery cable- combo socket	1



8.1. Safety Decals



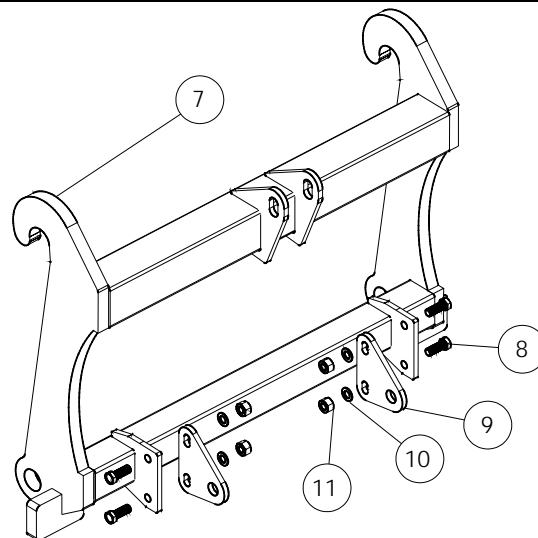
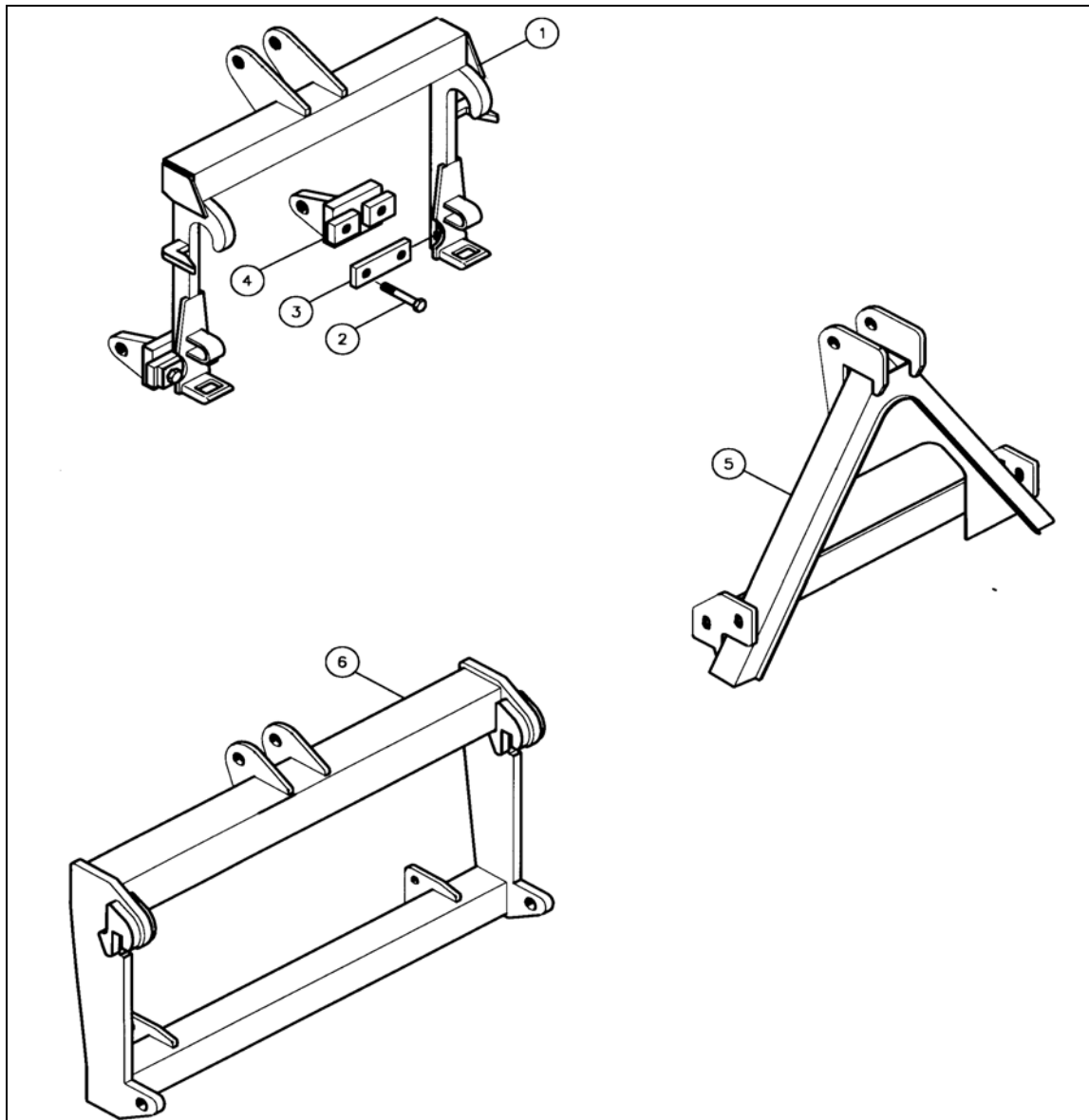


Tanco Auto wrap 1300
Spare parts list

8.2. Safety Decals part list

ITEM	PART NO.	QUANTITY	DESCRIPTION
1	34970356	2	Decal, stripes with text
2			
3	34970301	1	Important! Prior to operate...
4	34970303	1	Danger, cutter
5	34970302	1	Danger, prestretcher
6	34970333	1	Danger, hydraulic oil
7	34970304	1	Adjustment, wrap.arm speed
8	34970305	1	Adjustment, roller speed
9	34970311	1	Prestrecher, mounting film
10	34970306	2	Danger, wrapping arm/tower
11	34970317	2	Danger, roller arms

9.1. Attachment brackets

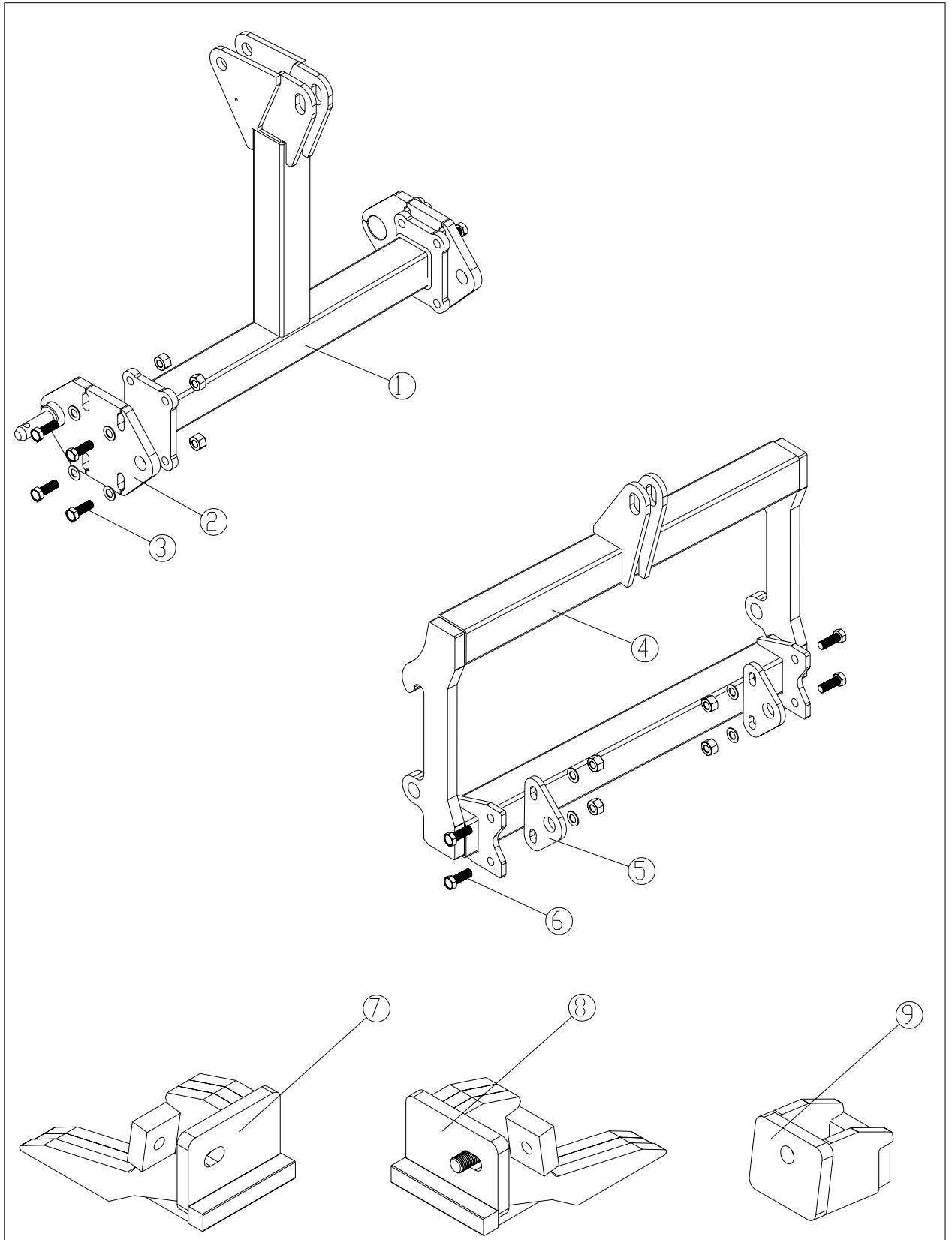




9.2. Attachment brackets parts list

ITEM	PART NO.	QTY	DESCRIPTION
	35810031		Trima bracket Kit
1		1	Trima bracket Frame
2	34115600	1	Bolt
3	34251490	1	Locking bar
4	34251489	3	Locking bar holder
5	35810030	1	Triangle bracket Kit
	34611552	1	Triangle Frame
	34611553	2	Bolt on bracket
	34310800	4	M16 Spring washer
	34110051	4	M16 x 45 Bolt
	34232100	4	M16 Locknut
6	35810034	1	Volvo bracket Kit
	34611544	1	Volvo Bracket Frame
	34611543	2	Bolt-on bracket
	34119176	4	M16 x 60 Bolt
	34302105	4	M16 Flat washer
	34232100	4	M16 Locknut
	35810035	1	Industrial Euro Bracket Kit
7	34611545	1	Industrial Euro Bracket
9	34611543	2	Bolt-on bracket
8	34119176	4	M16 x 60 Bolt
10	34302105	4	M16 Flat washer
11	34232100	4	M16 Locknut

9.3. Attachment brackets





9.4. Attachment Brackets part list

ITEM	PART NO.	QTY	DESCRIPTION
	35810029		3-Point linkage bracket Kit (kat II)
1	34611547	1	3-Point linkage Frame
2	34611548	2	Bolt-on plate
3		8	Bolt assembly
	34119176	1	Bolt M16 x 60
	34232100	1	Lock Nut M16
	34301000	1	Flat Washer M16
	35810031		Alo bracket kit (Type 3)
4	34611550	1	Alo bracket
5	34611551	2	Bolt-on plate
6		4	Bolt assembly
	34110042	1	Bolt M16 x 45
	34232100	1	Lock Nut M16
	34301000	1	Flat Washer M16
	35100335		Brackets for dia 150cm round bales
7	34611527	1	Roller arm support LHS
8	34622526	1	Roller arm support RHS
9	34611528	2	Roller arm stop
	34111500	4	Bolt M16 x 50
	34232100	4	Lock Nut M16
	34301000	4	Flat Washer M16