

## SPARE PARTS LIST

We recommend that when you need spare parts, you should use only original parts.

When ordering spare Parts use the following:

- Drawings are marked with a position number.
- On the accompanying table you will find the position number, its equivalent part number and description. The entire part number and description must always be relayed on ordering.
- **IMPORTANT!**  
When ordering always give the serial number on the wrapping machine and specify the Model of Machine.
- All orders must go through your local Tanco Dealer. To prevent confusion all orders must be faxed or e-mailed to Tanco Autowrap.



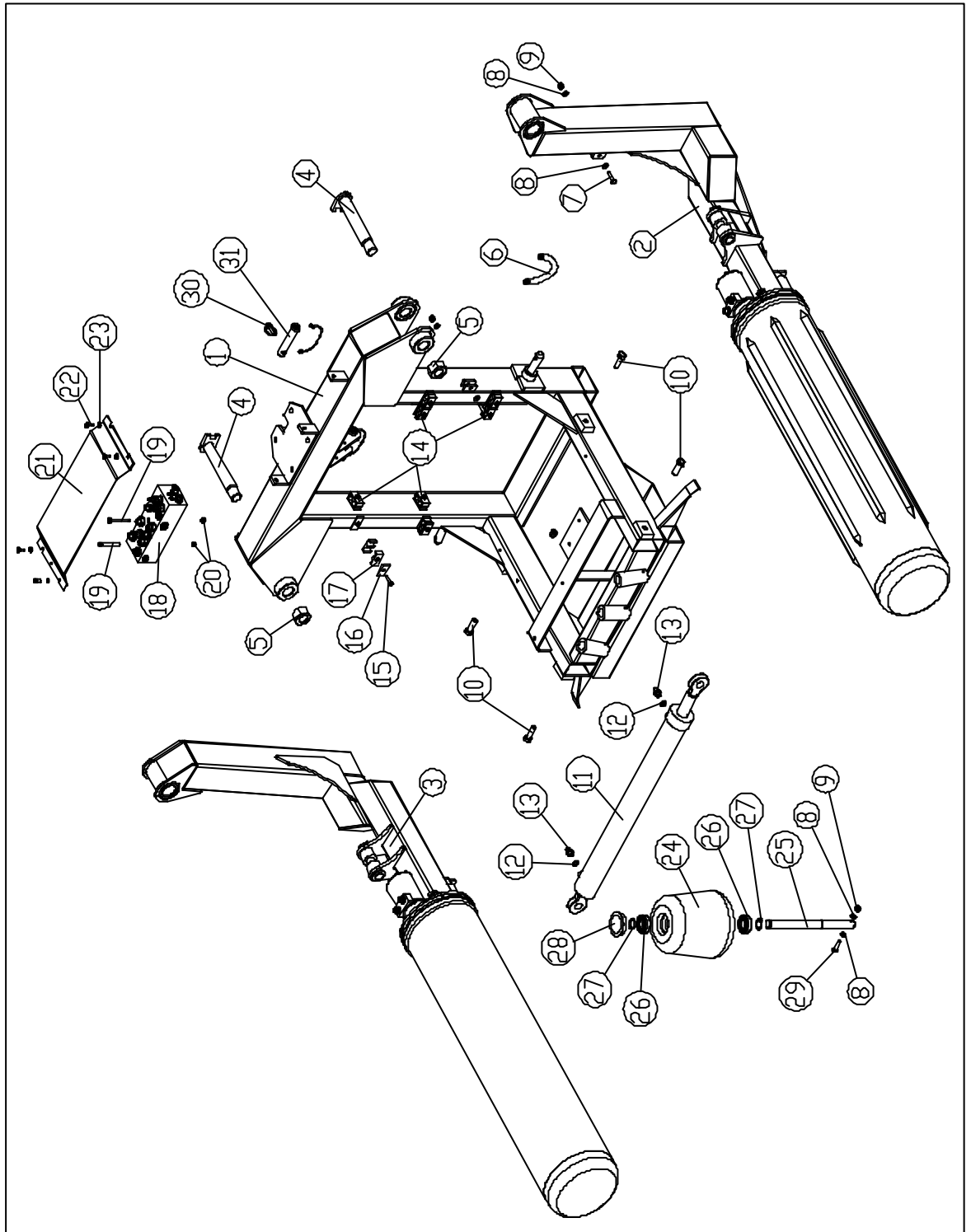


## TABLE OF CONTENTS

	<u>Page:</u>
<b>1. Chassis 1300</b>	
<b>1.1. Chassis 1300</b>	
1.1.1. Exploded View Main Chassis	3
1.1.2. Part List Chassis	4
1.1.3. Exploded View Roller Arm Assembly	5
1.1.4. Parts List Roller Arm	6
<b>2. Cut and Start</b>	
2.1. Exploded View	7
2.2. Parts List Cut and Start	8
<b>3. Tower</b>	
3.1. Exploded View	9
3.2. Tower Parts List	10
<b>4. Wrap Arm</b>	
4.1. Exploded View	11
4.2. Wrap arm Parts List	12
<b>5. Dispenser</b>	
5.1. Dispenser Exploded View	13
5.2. Dispenser Parts List	14
5.3. Dispenser Roller Insert Exploded	15
5.3. Dispenser Roller Insert Parts list	16
<b>6. Hydraulics</b>	
6.1. Wrap arm Motor Exploded View	17
6.2. Wrap arm motor Parts List	18
6.3. Control and Adjustment block exploded	19
6.4. Control block Parts list	20
6.5. Assembly block exploded	21
6.6. Assembly block parts list	22
6.7. Hydraulic Hoses 1300	23
<b>7. Electrics</b>	
7.1. Junction Box 1300	24
7.2. 1300 EH controller	25
7.3. 1300 M controller	26
<b>8. Safety Decals</b>	
8.1. Safety Decals	27
8.2. Safety Decals parts list	28
<b>9. Brackets</b>	
9.1. Attachment brackets	29
9.2. Attachment brackets parts list	30
9.3. Attachment brackets	31
9.4. Attachment brackets parts list	32

## 1.1 Main Chassis

### 1.1.1. Exploded view main chassis



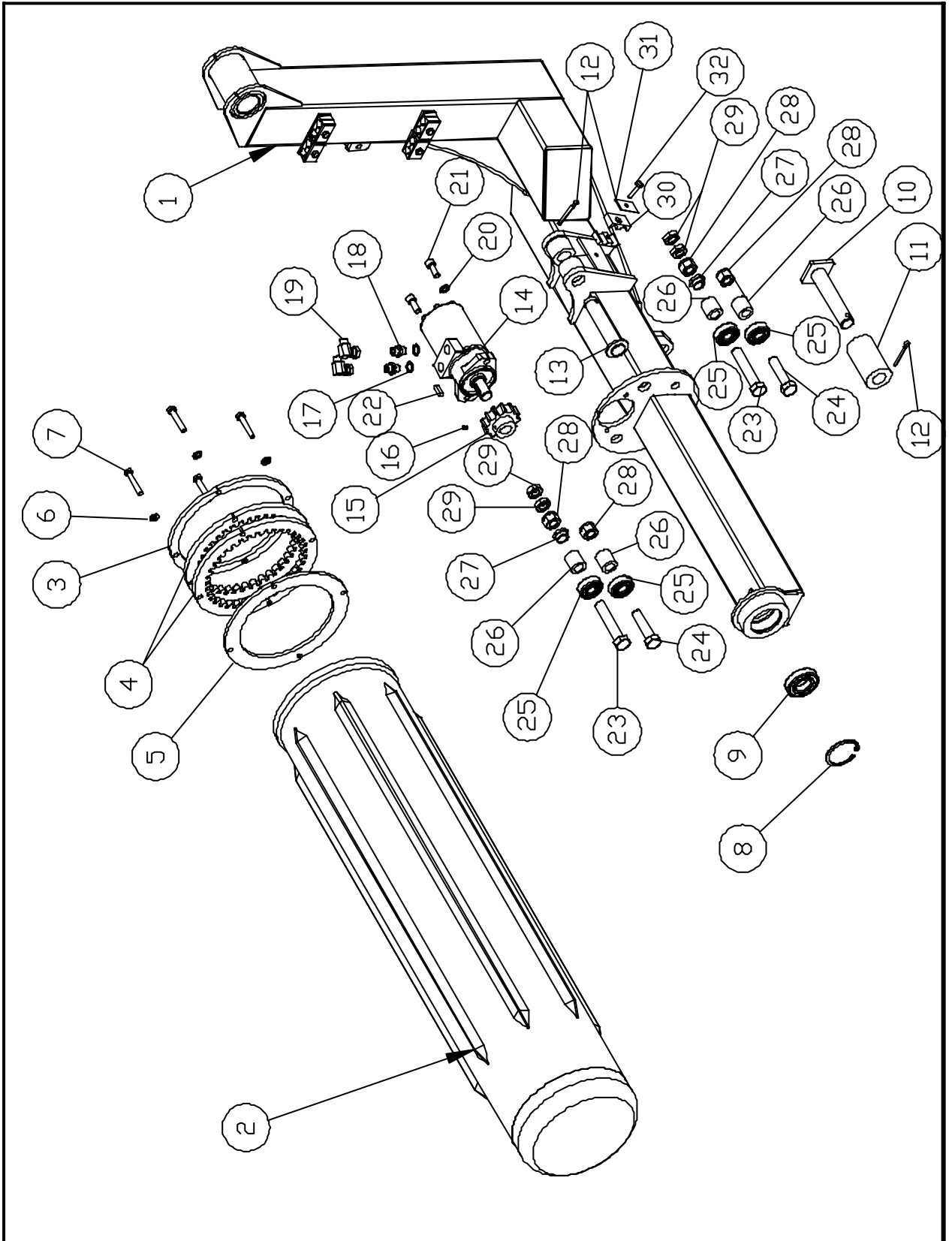


Tanco Auto wrap 1300  
Spare parts list

1.1.2. Part List Chassis

ITEM	PART NO.	QUANTITY	DESCRIPTION	Dimension
1	34611478	1	CHASSIS	
2	see pg 6	1	Roller Arm Left Hand Side	
3	see pg 6	1	Roller Arm Right Hand Side	
4	34105720	2	Main Pivot Pin	
5	34235400	2	M36 Locknut	
6	34811343	2	11 Link Chain	
7	34110017	2	M10 * 45 Bolt	
8	34302122	6	M10 flat Washer	
9	34230900	3	M10 Locknut	
10	34111500	4	M16 * 50 Set Bolt	
11	34001485	1	Squeeze Cylinder	
	35042800		Seal Kit 70/40 DA	
12	34041700	2	3/8" Dowty Washer	
13	34060100	2	3/8"-3/8" M-M Fitting	
14	34260205	2	Clamps 6x25x60	
15	Z26-042B	8	M8 * 35 Bolt	
16	Z01-24-28	8	Steel Top Clamp	
17	Z01-24-2618	8	Plastic Hose Clamps (set)	
18	1308300	1	Assembly Block Complete	
19	Z13-6-08x100	2	M8 * 100 Allen headed Bolt	
20	Z23-08	2	M8 Locknuts	
21	34851263	1	Valve Cover	
22	34115100	4	M8 * 12 Bolt	
23	34302121	4	M8 Spring Washer	
24-29 *	34340140	1	Support Roller Complete	
24	34340141	1	Support Roller	
25	34130258	1	Support Roller Shaft	
26	34320508	2	Support Roller Bearing	6206 2RS
27	34240708	2	Cir Clip	A 30
28	34450447	1	Plastic Cap	
29	Z26-0671B	1	M10 x 65 bolt	
30	34200201	1	Lynch Pin	
31	34105635	1	Top Link Pin Complete	

1.1.3. Roller arm





Tanco Auto wrap 1300  
Spare parts list

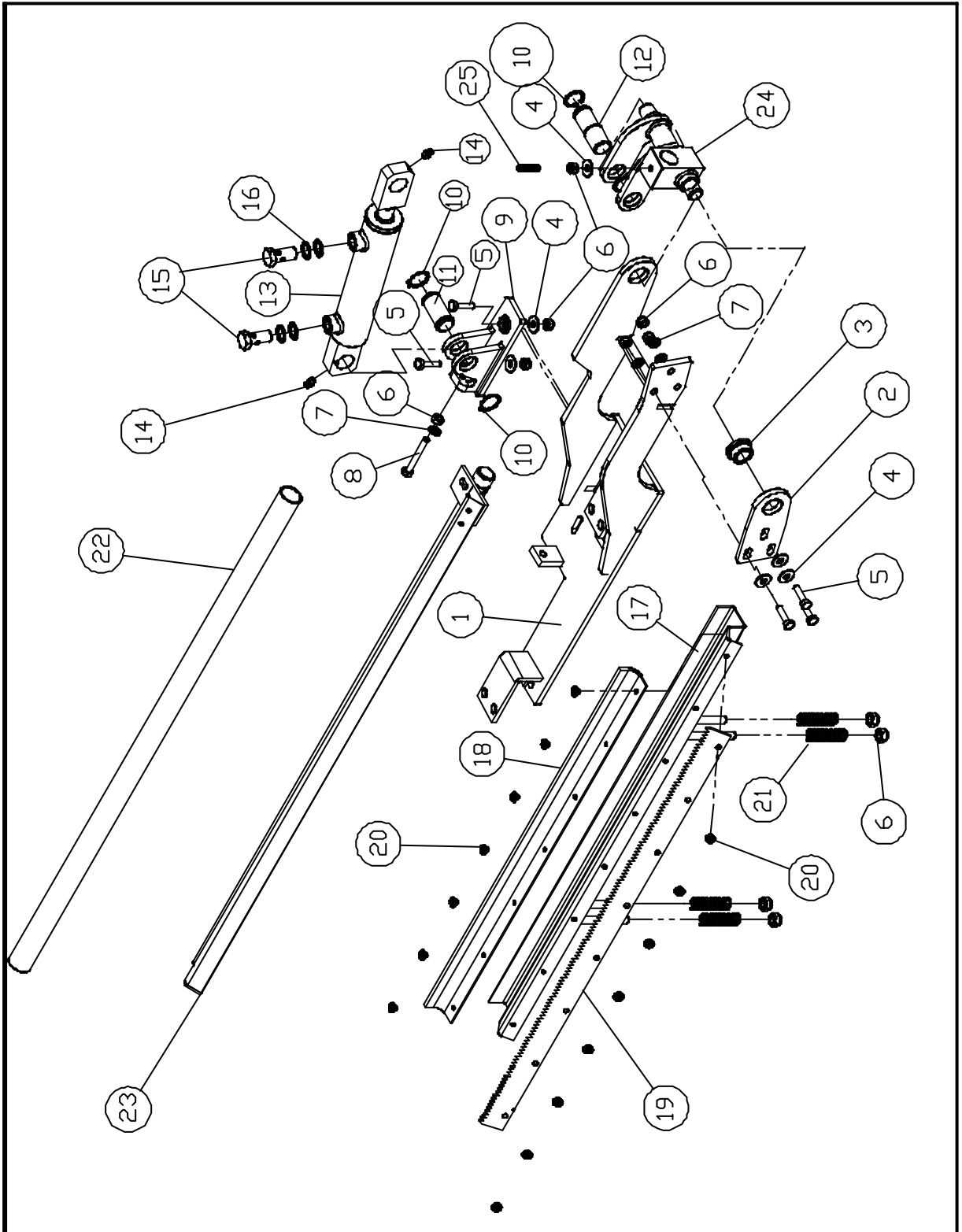
1.1.4. Part List Roller Arm

ITEM	PART NO.	QUANTITY	DESCRIPTION	Dimension
1	34611480	1	Roller arm Left	
	34611479	1	Roller Arm Right	
2	34911049	1	Roller Grippped	
	34911048	1	Roller- non Grippped	
3	34360523	2	Shield Ring	
4	1302001	4	Drive Ring	12.5 mm
5	34360523	2	Middle Ring	
6	Z12-02-10	8	M 10 Spring washer	
7	34110018	8	M10 x 60 Bolt	
8	34240100	2	Cir Clip	l-72
9	34321521	2	Roller Support Bearing	
10	34105719	2	Pin for Support Roller	
11	34730054	2	Support Roller	
12	34220400	2	Split Pin	
13	34105725	2	Pin for Squeeze cylinder	
14	34090134	2	400 cc Drive motor	
14 b	34044089	*	Seal kit for Motor	
15	34810042	2	Drive Gear	
16	34119081	2	M8 Grub Screw	
17	Z01-04-03	4	1/2" Dowty Washers	
18	Z01-06-06-08	4	1/2"-3/8" Adaptors	
19	Z01-14-015	4	3/8"-3/8" M-F Elbows	
20	Z12-02-12	4	M 12 Spring Washer	
21	34110029	4	M 12 Allen Headed bolt	M12 x 30
22	34270111	2	8 x 7 x 35 Key steel	
23	34112110	4	M 20 x 110 Bolt	
24	34119182	4	M20 x 80 Bolt	
25	34321529	8	Bearing	361204 R
26	34105718	8	Spacer	6206 2RS
27	34351006	4	Eccentric Boss	A 30
28	34233000	8	M 20 Locknut	
29	34232901	8	M 20 Half nuts	
30	Z01-24-2618	10	Plastic Hose Clamps (set)	18 mm
31	Z01-24-28	10	Steel Top Clamp	
32	Z26-042B	10	M8 * 35 Bolt	



# Tanco Auto wrap 1300 Spare parts list

## 2.1. Cut & Start



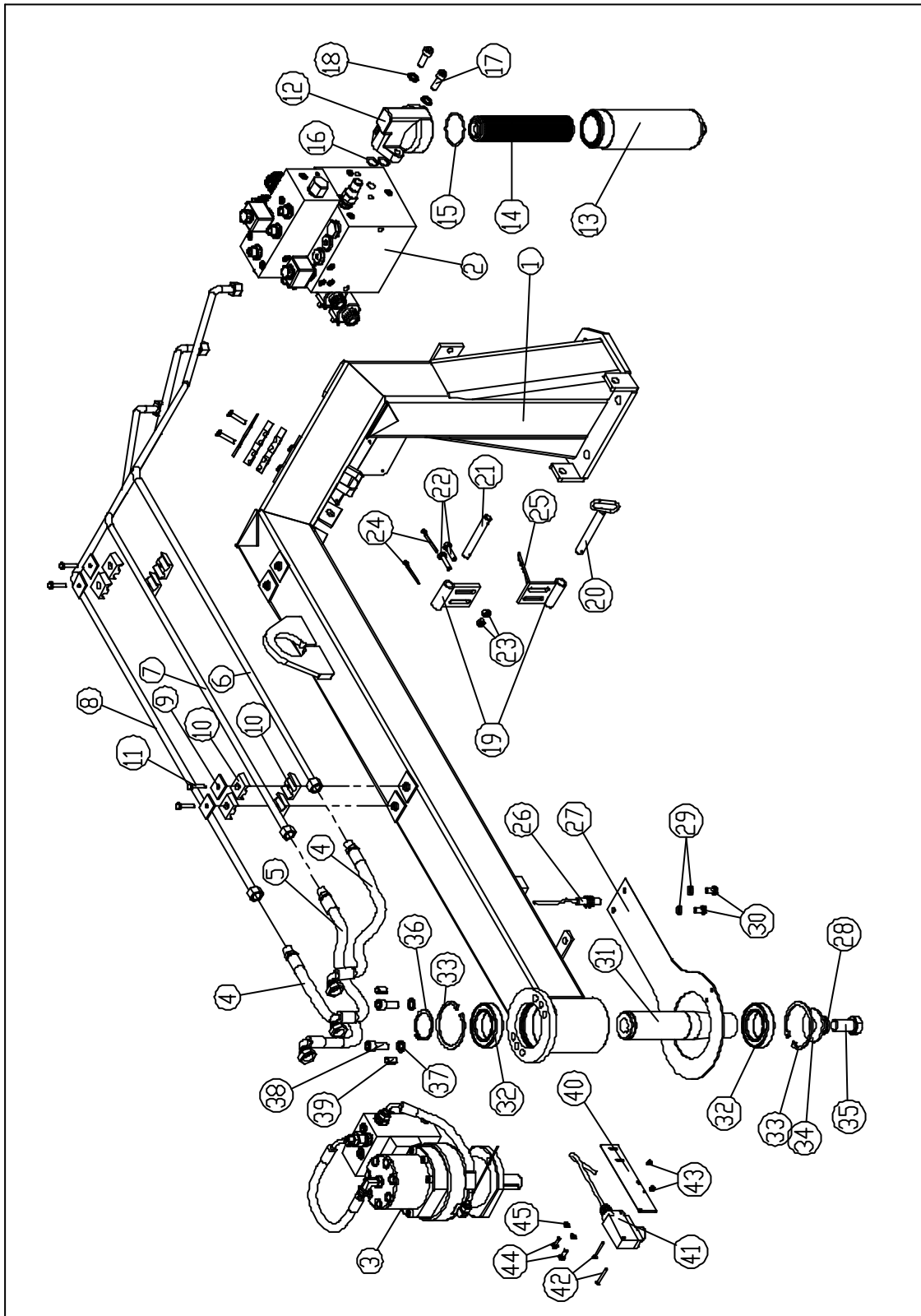




## 2.2. Cut and Start Parts List

ITEM	PART NO.	QUANTITY	DESCRIPTION	Dimension
	34920607		C&S complete	
1	34670195	1	C&S Base Frame	
2	34920597	1	Fastening bracket	
3	34321518	1	Brass Bearing	20/28 x 16 -35 x 4
4	Z11-02-081	4	M 8 Mud Washer	
5	34112700	7	M8 x 30 bolt	
6	34230500	8	M8 Locknut	
7	34302121	8	M 8 Flat Washer	
8	34110003	1	M 8 Bolt	M8 x 45
9	34920525	1	Pivot Casting Base	
10	34240704	4	Cir clip	A 25
11	34105631	1	Bottom Pin for C&S	
12	34105632	1	Top Pin for C&S	25 mm
13	34001468-TAN	1	C&S Cylinder	40/20
13a	34043800	1	Seal Kit for cylinder	
14	Z39-66	2	M6 Grease nipple	
15	34061935	2	Banjo Bolt 16 mm	
16	34043500	4	16 mm Dowty washer	
17	34920585	1	Pressure Plate	
18	34450428	1	Rubber strip	
19	34911039	1	Knife blade	
20	34150007	15	Pop Rivet	
21	34430301	4	Spring	
22	34480009	1	Plastic sleeve	32.2 x 1.9
23	34611422	1	Cutter Arm	
24	34920524	1	Pivot Casting Top	
25	34119142	1	Stud Screw	M8 x 35

### 3.1. Tower: Exploded view



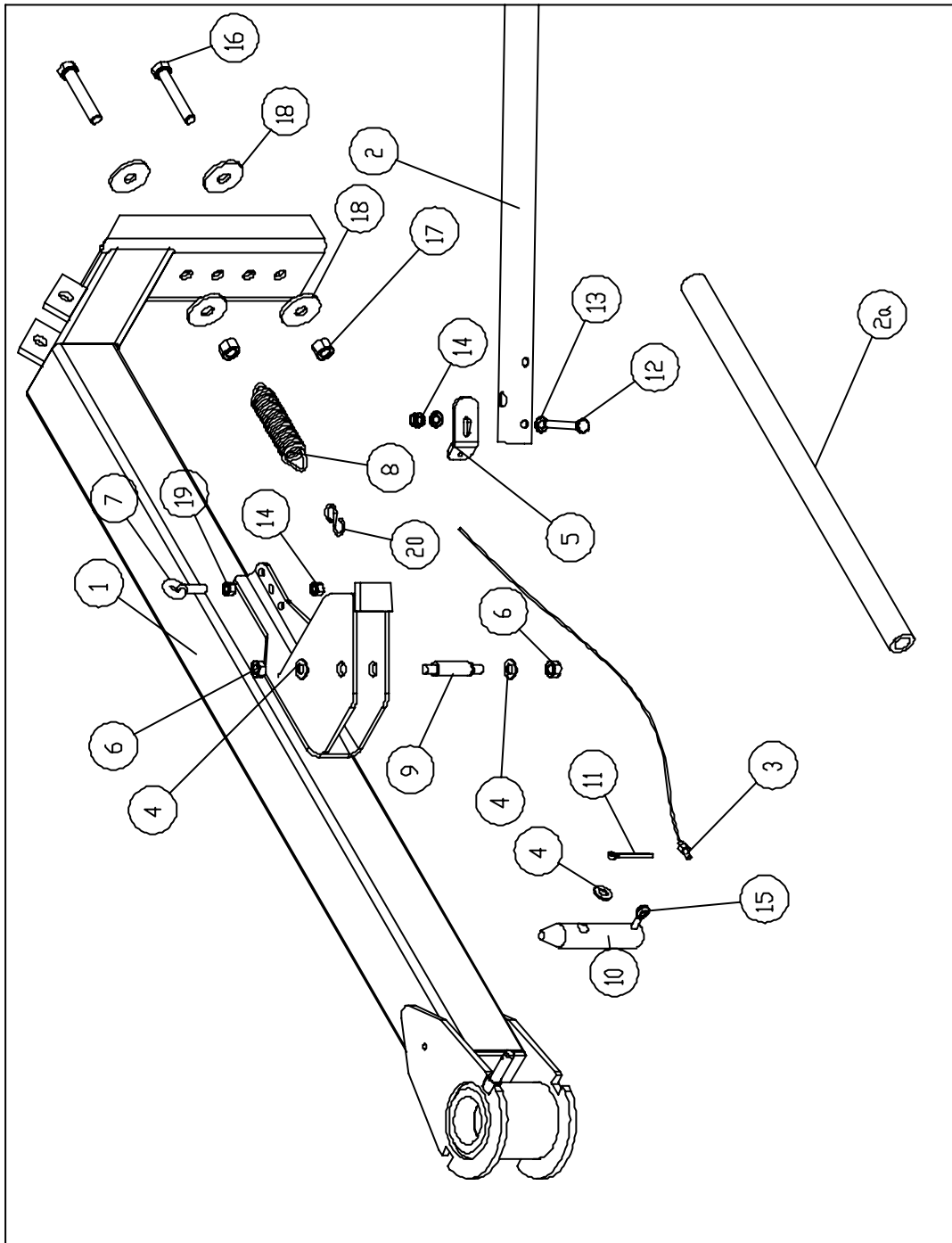


Tanco Auto wrap 1300  
Spare parts list

**3.2. Tower Parts list.**

ITEM	PART NO.	QUANTITY	DESCRIPTION	Dimension
1	34611481	1	Tower	
2	1308200 1308250	1	Control block complete Adjusting block complete	
3	See pg 17/18	1	Wrap arm motor complete	
4	34050072	2	3/8" Hydraulic Hose	290 mm
5	34050073	1	3/8" Hydraulic Hose	360 mm
6	34160209	1	12 L Hydraulic pipe	
7	34160208	1	12 L Hydraulic pipe	
8	34160207	1	12 L Hydraulic pipe	
9	34260167	1	Pipe Clamp tops	
10	34260110	1	Plastic pipe clamps (set)	12 mm
11	Z26-022S	6	M6 * 30 Bolt	
12	34090161	1	Oil filter Complete	Parker
14	34090162	1	Filter unit	Parker,0-14 PA
15	34044071	1	O-Ring for Filter unit	
16	34044072	2	O-Ring	17.96x 2.62 90 shore
17	34118901	2	Socket head bolt	M10 * 40
18	34310400	2	M10 Spring Washer	
19	34251440	2	Lock Stay	
20	34105676	1	Locking Pin-wrapping arm	
21	34105677	1	Hinge Pin	
22	34110000	2	M8 x 25 Bolt	
23	34230500	2	M8 Locknut	
24	34221200	2	Split Pin	4 x 50
25	34210000	1	R-Clip	4 mm
26	1309202	1	RDS Sensor	(2 m)
27	34380511	1	Slide plate	
28	34312009	1	M20 Spring washer	
29	Z12-02-08	2	M8 Spring washer	
30	Z26-038S	2	M8 * 16 Bolt	
31	34130244	1	Wrapping arm shaft	
32	34320503	2	Bearing	6010 2 RS
33	34240702	2	Cir Clip	1 80
34	34302139	1	Thick Washer	
35	34115700	1	M 20 x 40 Bolt	
36	34240703	1	Cir Clip	A-50
37	34310600	2	M12 Spring Washer	
38	34110029	2	M12 Socket headed bolt	M12 x 30
39	34280004	2	Tension Bush	12.7 x 19
40	34670128	1	Switch bracket	
41	34950179	1	Emergency stop switch	
42	34119078	2	M4 x 40 Bolts	
43	Z23-04	2	M4 Locknuts	
44	Z26-019S	2	M6 * 16 Bolt	
45	Z12-02-06	2	M6 Spring washer	

**4.1 Wrap Arm: Exploded view**

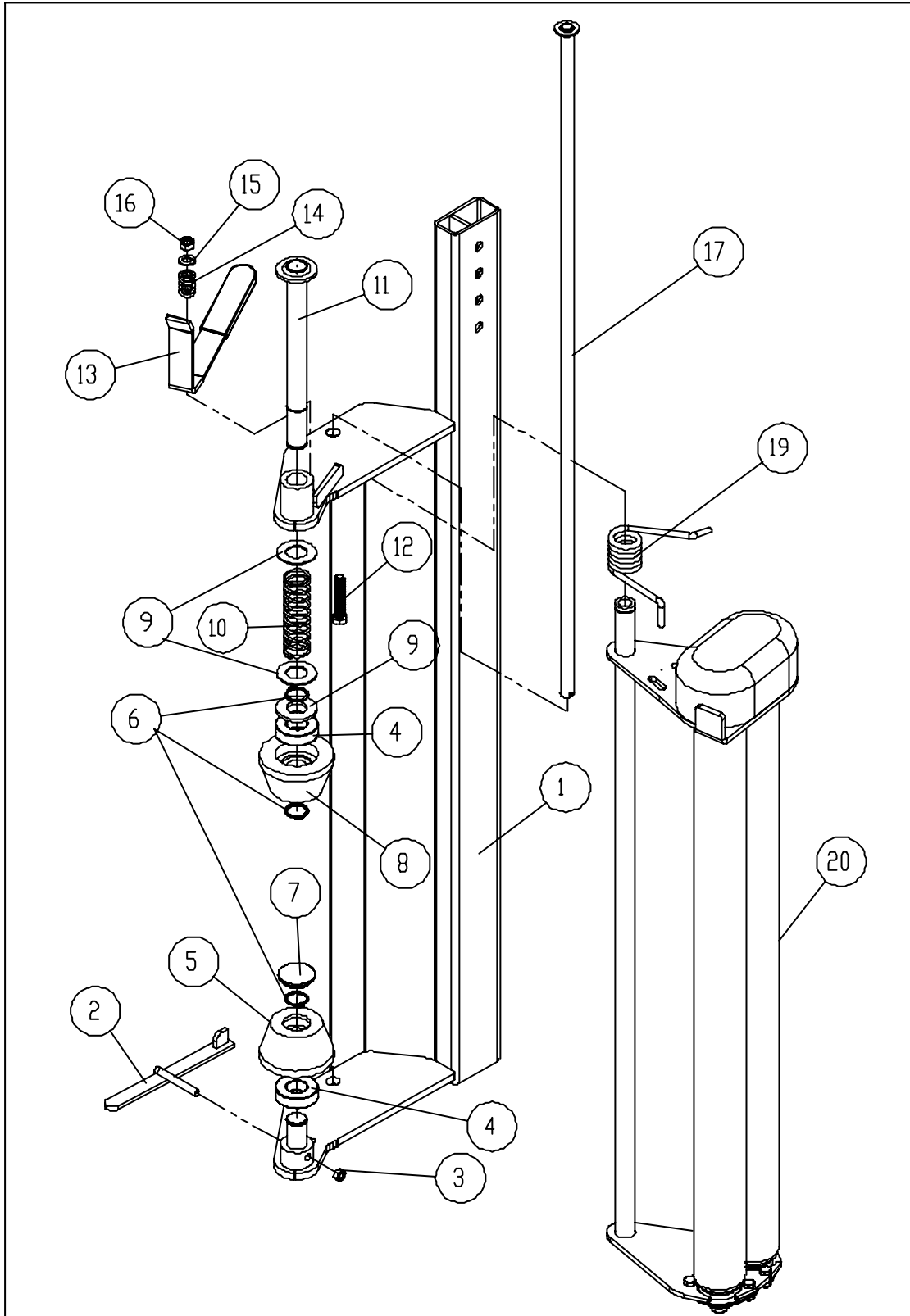




#### 4.2. Wrap Arm Parts List

ITEM	PART NO.	QUANTITY	DESCRIPTION	Dimension
1	34611482	1	Wrap Arm	
2	34611357	1	Emergency stop arm	
2a	34480020	1	Foam Padding	
3	34911102	1	Releasing Wire	
4	34302122	3	Washer	10 mm
5	34670152	1	Spring Bracket	
6	34230900	2	Locknut	M10, DIN 985
7	34119043	1	Eye Bolt	M8 x 25, DIN 933
8	34430300	1	Spring	
9	34105651	1	Hinge Bolt	
10	34911101	1	Rocker Arm	25 mm Nylon
11	34220200	1	Split Pin	4 x 36
12	Z26-047B	1	M 8 Bolt	M8 x 60, DIN 933
13	34302121	2	Washer	8 mm
14	34230500	1	Locknut	M8, DIN 984
15	34120311	1	Hinge Screw	M6 x 45
16	34117500	2	M12 x 70 Bolt	
17	34231300	2	M12 Locknut	
18	34302135	4	M12 Heavy Washer	13 x 40 x 2
19	34230400	1	M8 Nut	
20	34660111	1	S Hook	35 mm x 4

### 5.1. Dispenser: Exploded View

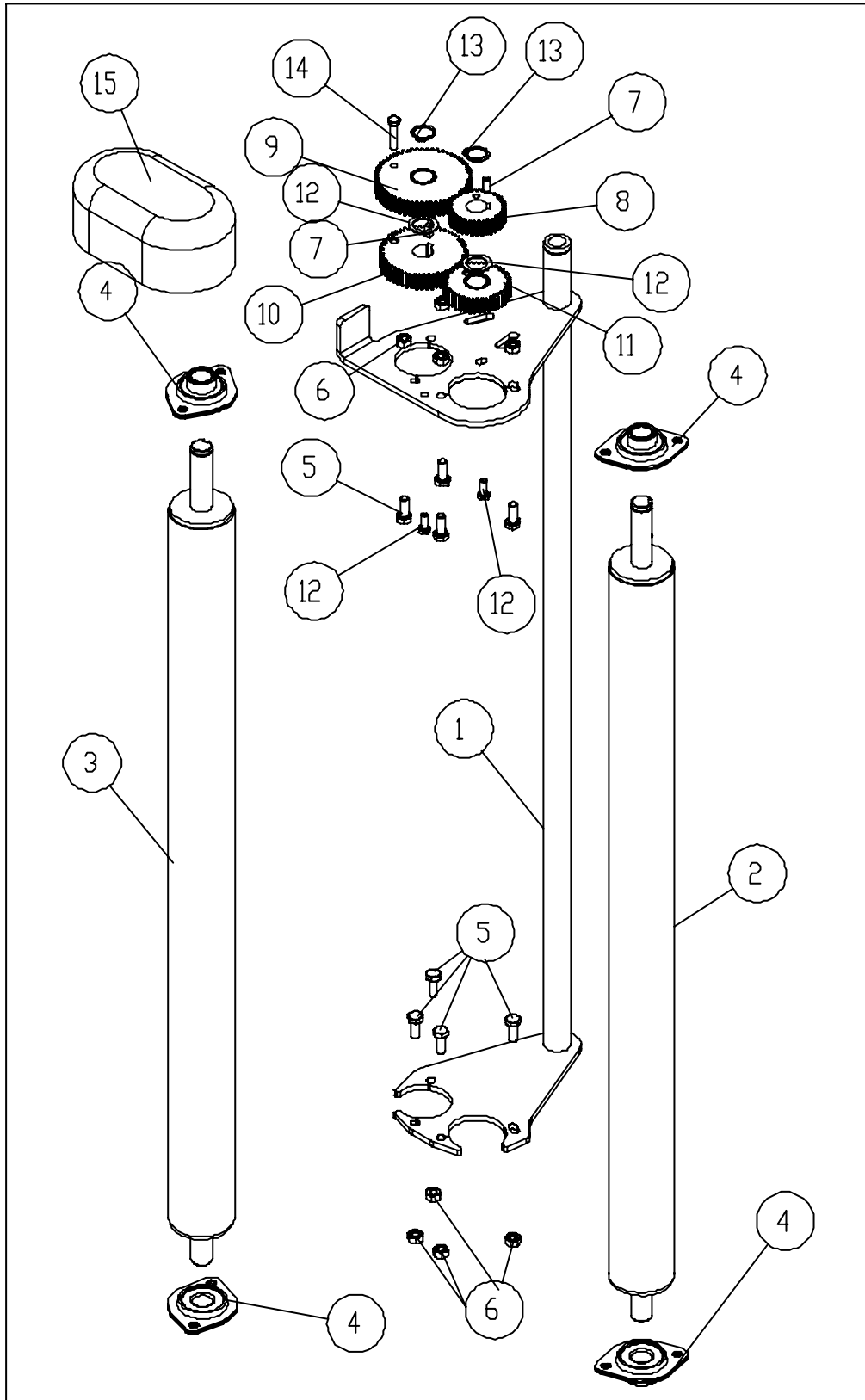




**5.2. Dispenser Parts list**

ITEM	PART NO.	QUANTITY	DESCRIPTION	Dimension
	1305000	1	Complete Dispenser	
1	1305001	1	Dispenser Frame	
2	1305010	1	Bottom latch	
3	Z23-08	1	M.8 Locknut	
4	1305015	2	Bearing	
5	1305016	1	Bottom cone	
6	1305017	3	Cir-clip for shaft OD 25 mm	
7	1305018	1	Plastic cap 1 1/4"	
8	1305019	1	Upper cone	
9	1305020	2	25mm dia. flat washer	
10	1305021	1	Top shaft Spring	
11	1305022	1	Top shaft	
12	1305025	1	M10 x 60 Hex bolt	
13	1305026	1	Top latch	
14	1305027	1	Top latch Spring	
15	34302122	2	M 10 flat washer	
16	Z23-10	1	M.10 Locknut	
17	1305030	1	Pivot pin	
18	1305033	1	Split pin	
19	1305034	1	Torsional spring	
20	1305100	1	Roller sub-assembly	

**5.3. Dispenser Roller Insert: Exploded**





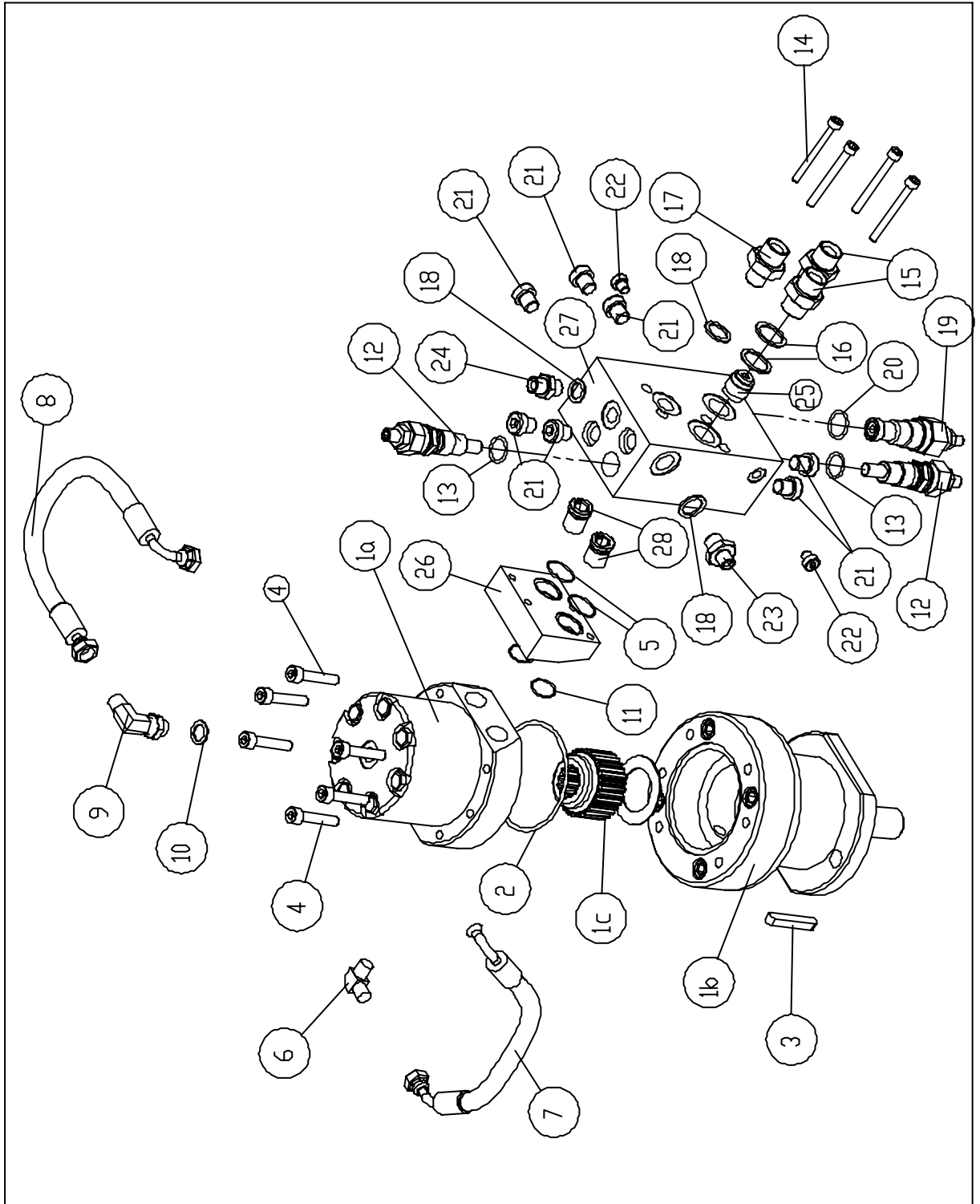


#### 5.4. Dispenser Roller insert: Parts list

ITEM	PART NO.	QUANTITY	DESCRIPTION	Dimension
	1305100	1	Dispenser Roller insert complete	
1	1305110	1	Insert Frame	
2	1305120	1	Inner Roller	
3	1305121	1	Outer Roller	
4	1305122	4	Bearing	RHP SLF20A
5	Z26-039S	8	M8 * 20 Bolt	
6	Z23-08	8	M8 Locknut	
7	1305123	2	6 mm square key steel	15 mm long
8	1305101	1	60 t gear	16 mm
9	1305102	1	35 t gear	16 mm
10	1305105	1	54 t gear	16 mm
11	1305106	1	41 t gear	16 mm
10*	1305103		58 t Gear	16 mm
11*	1305104		37 t Gear	16 mm
13	1305124	2	20 mm external cir-clip	
11	1305125	1	Gearbox cover	
12	Z26-018S	2	M6 * 16 mm bolt	

\* Indicates optional 55 % Stretch gears

6.1 Wrap arm Motor: Exploded view.





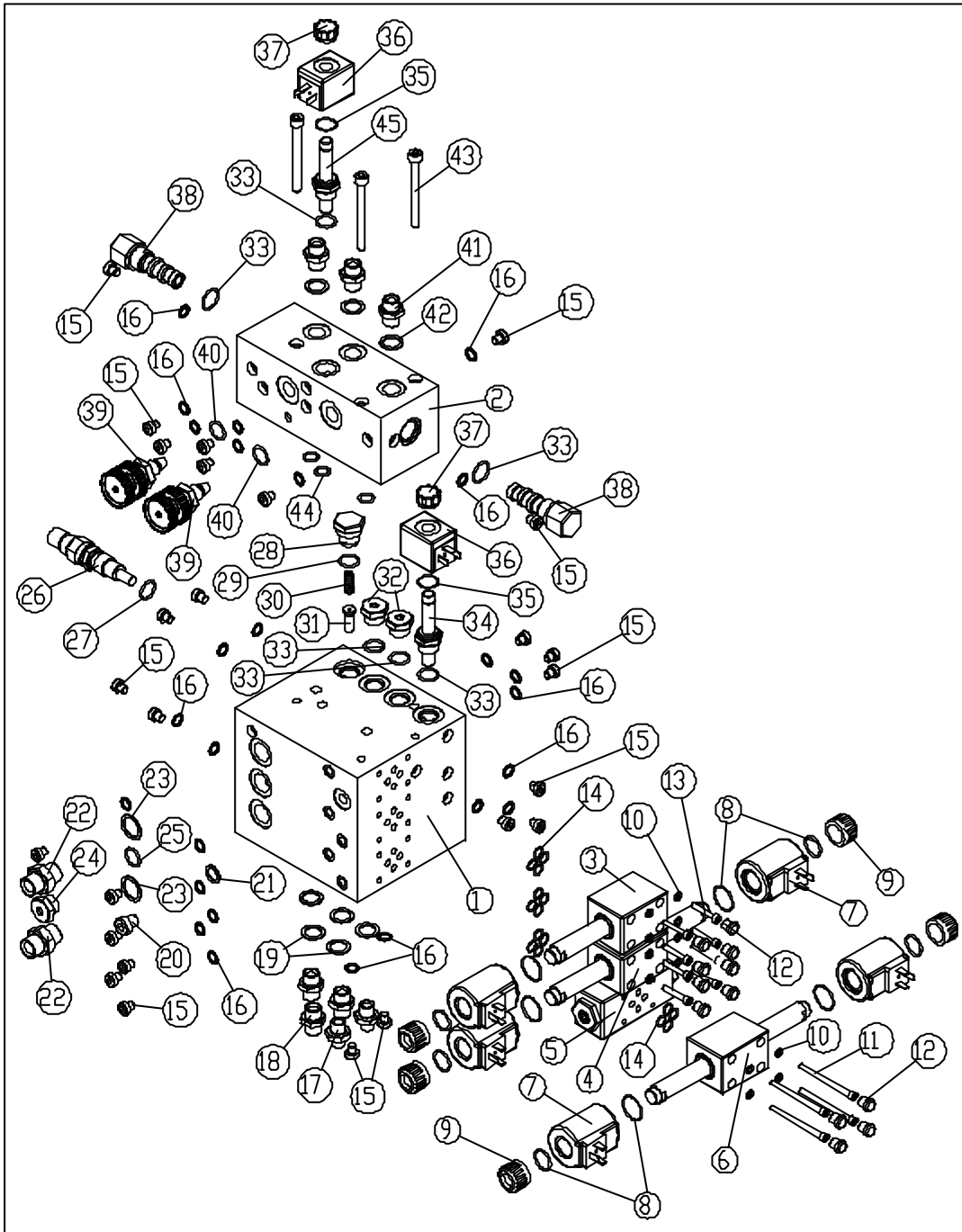
Tanco Auto wrap 1300  
Spare parts list

**6.2 Wrap Arm Motor Parts list**

ITEM	PART NO.	QUANTITY	DESCRIPTION	Dimension
1	34090172	1	Motor and Brake Complete	
1a	34090163	1	Hydraulic Motor	GWS 400
	34044100		Motor Seal Kit	GWS 400
	1308400		Motor Shaft	GWS 400
1b	34090164	1	Hydraulic Brake	
1c	1308401	1	Splined coupling	
1d	34044093	1	Repair kit, brake	
2	34044081	1	O-Ring	94,97 x 1,78
3	34270112	1	Key	8 x 7 x 56
4	34119135	6	Socket Headed bolt	M8 x 40
6	Z01-05-02-04	1	1/8"-1/4" Fitting	
6a	Z01-04	1	1/8" Dowty washer	
6 b		1	1/4" M/F Elbow	
7	34050052	1	1/4" Hose - Brake	
8	34050051	1	1/4" Hose - Drain	
9	34061953	1	1/4" Elbow- adjustable	
10			1/4" Dowty washer	
	1308112		Wrap arm Block Complete	
12	1308108	2	Cross-Line Relief valve	
14	34119064	4	M6 x 60 socket head bolts	
15	34061845	2	1/2" to 1/2" Fitting	
16	34041800	2	1/2" copper washer	
17	34061809	1	3/8" to 1/2" Fitting	
18	34041700	1	3/8" copper washer	
19	1308109	1	Brake Valve	
21	1308114	7	1/4" Male plug	
22	1308115	2	1/8" Male Plug	
23	1308102	1	3/8" to 1/4" Fitting	0.7 mm orifice
24	34061803	1	1/4" to 1/4" Fitting	
25	1308110	1	Check Valve	
26	1308103	1	Middle Block	
27	1308113	1	Wrap arm block empty	
28	1308105	2	Fitting for Hydraulic motor	
	1308111		Seal Kit- Wrapping Arm block	
5		2	O-Ring	020-4490
11		2	O-Ring	017-4490
13		2	O-Ring	16.3x 2.21/90 sh
20		1	O-Ring	19.0 x 2.5/70 Sh

Note: Items 5,11,13 & 13 cannot be purchased individually

### 6.3 Control and Adjustment block: Exploded



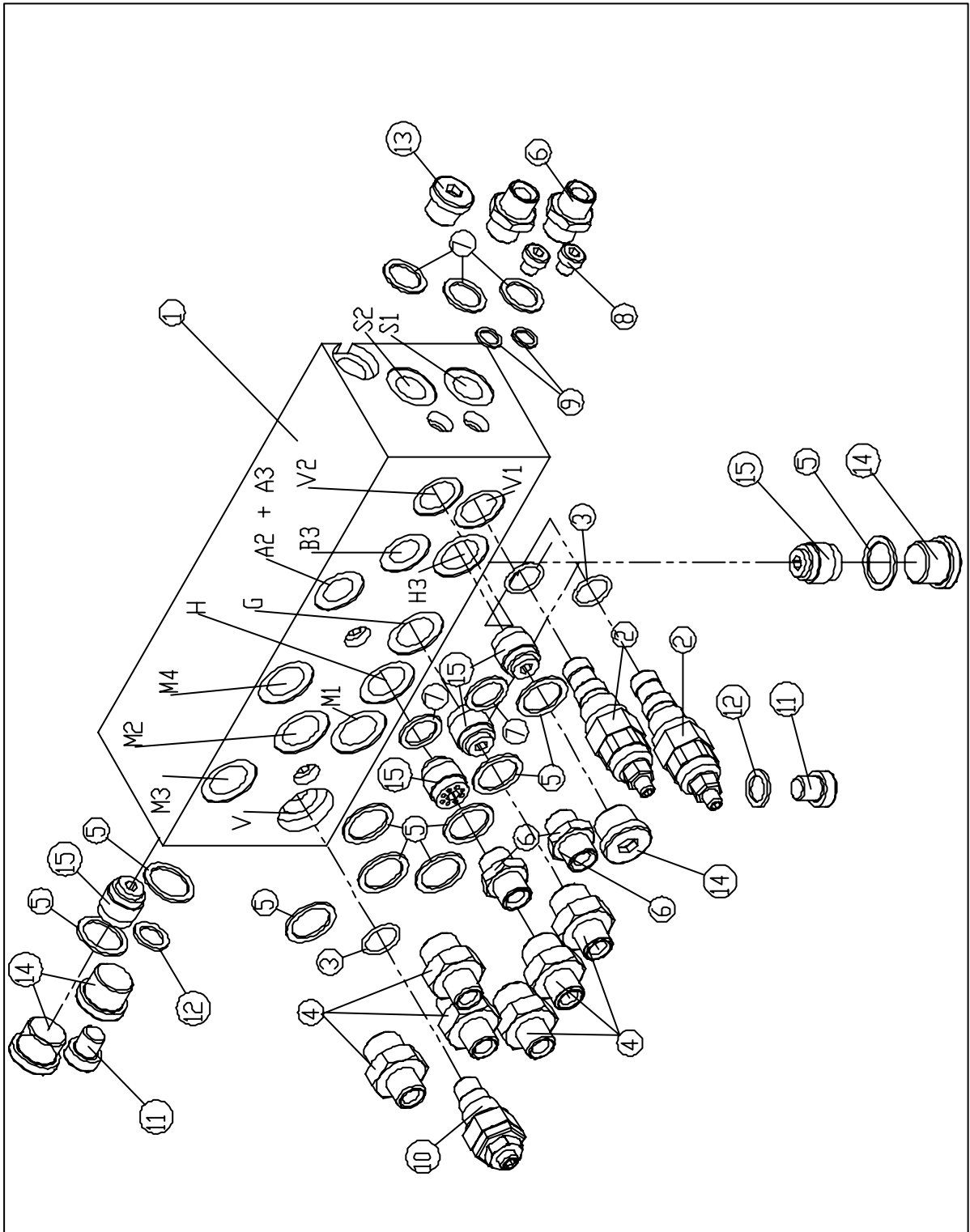


### 6.4 Control and Adjustment Block Parts list

ITEM	PART NO.	QUANTITY	DESCRIPTION	Dimension
	1308200		Control block complete	
1	1308208	1	Control block empty	
2	1308207	1	Adjusting block empty	
	1308250		Adjusting block complete	
3	34082492	1	1 Dir. Spool valve (c/w solenoid)	
4	34082491	1	2 Dir. Spool valve (c/w solenoid)	
5	34084900	1	Pilot control non-return valve	
6	34082493	1	2 Dir. Spool valve-C&S(c/w solenoid)	
7	34087321	5	12 v DC coil	
8	13082232	5	Seal Kit solenoid	
9	1308220	5	Plastic nut for Coil	
10	1308256	12	M5 flat washer	
11	1308222	4	M5 x 70 socket head bolt	
12	1308223	12	Plastic caps	
13	1308221	8	M5 x 30 socket head bolt	
14,25, 27,29	13082231	1	Seal Kit control block	
15	1308115	24	1/8" Male Plug	
16	1308224	24	1/8" copper washer	
17	Z01-06-04-06	2	3/8 to 1/4" M/M fitting	
18	Z01-06-06-06	3	3/8 to 3/8" M/M fitting	
19	1308226	5	3/8" Copper Washer	
20	1308114	1	1/4" Male Plug	
21	1308225	1	1/4" copper washer	
22	Z01-06-08-08	2	1/2" to 1/2" M/M Fitting	
23	1308227	2	1/2" Copper Washer	
24	1308230	1	1/2" Plug with 5 mm orifice	
26	1308206	1	Pressure relief valve	
28	1308228	1	1/2" Plug with 1 mm orifice	
30	1308204	1	Compensator Spring	
31	1308203	1	Compensator Spool	
32	1308229	2	1/2" Male Plug	
34	1308201	1	Master Valve	
36	1308202	2	12 V Coil for 2-Speed/Master	
37	1308205	2	Plastic nut for 2-Speed/Master	
38	1308251	2	Pressure compensator valve	
39	1308252	2	Flow control valve	
33,35, 40,44	1308219	1	Seal Kit adjustment block	
41	34061899	3	Fitting 3/8" to 12 L	
42	34041700	3	3/8" Dowty washers	
43	34119028	3	M8 x 80 socket headed bolt	
45	1308263	1	2-Speed Valve-1300	
*	1308399	2	Closed centre plugs 1300 LC	

**Note:** Tanco recommend that if a fitting with a copper washer is opened, the copper washer should be replaced to ensure leak free operation. Dowty washers of the same size can be used.

### 6.5. Assembly Block Exploded





**6.6. Assembly Block Parts list.**

ITEM	PART NO.	QUANTITY	DESCRIPTION	Dimension
	1308300		Assembly Block Complete	
1	1308301	1	Assembly block Empty	
2	1308304	2	Over Centre Valve	
4	Z01-06-06-08	6	1/2" to 3/8" M/M fitting	
5	1308227	9	1/2" Copper Washer	
6	Z01-06-06-06	4	3/8 to 3/8" M/M fitting	
7	1308226	5	3/8" Copper Washer	
8	1308115	2	1/8" Male Plug	
9	1308224	2	1/8" copper washer	
10	1308303	1	Throttle Valve	
11	1308114	2	1/4" Male Plug	
12	1308225	2	1/4" copper washer	
13	1308308	1	3/8" Male Plug	
14	1308229	2	1/2" Male Plug	
15	1308302	6	1/2" x 1.5 bar check valve	
	1308307		Seal Kit Assembly Block	
3		3	O-Ring	

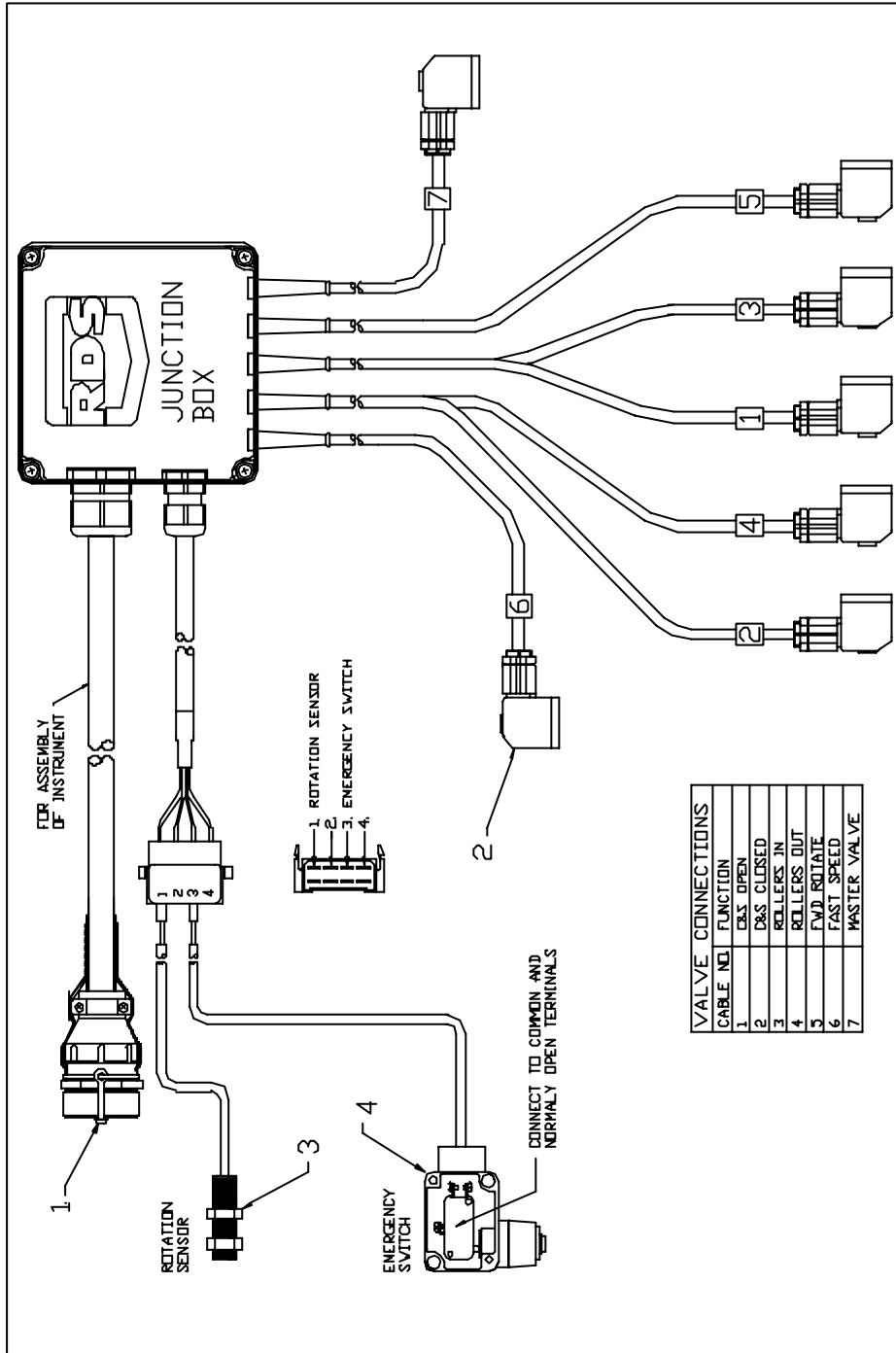
**Note:** Tanco recommend that if a fitting with a copper washer is opened, the copper washer should be replaced to ensure leak free operation. Dowty washers of the same size can be used.

6.7. Hydraulic Hoses.

<p>Hose no. 18 Motor Drive Part. no. 34050051 1/4" hydraulic hose 1 per machine</p>	<p>Hose no. 19 Motor Brake Part. no. 34050052 1/4" hydraulic hose 1 per machine</p>	<p>Hose No. 17 From H-S1 m/T Part. no. 34050107 3/8" hydraulic hose 1 per machine</p>	<p>PosArtikl:nummer   Navn, type   engelsk   Driv:vekt   Rødvarenr.          FILE   DN   Date   Kasse/Type   GodeJant   Varekode   M   TALLEFSIDU          21/10/03   IT3   AD   4993 SUN          COMPLETE_HOSE_KIT          Drømming for: R1B-1          Dato   Rødvarenr.   Hverafsting   HEV   Drømming   BER   Bemærkning:</p>
<p>Hose no. 14 &amp; 15 W/O arm Motor Part. no. 34050072 3/8" hydraulic hose 2 per machine</p>	<p>Hose no. 16 W/O arm Motor Part. nr. 34050073 3/8" hydraulic hose 1 per machine</p>	<p>Hose no. 12 From A1 to G&amp;S Rem Part. no. 34050135 1/4" Hydraulic Hose 1 per machine</p>	<p>Hose no. 13 From B1 to G&amp;S Rem Part. no. 34050114 1/4" hydraulic hose 1 per machine</p>
<p>Hose no. 10 Hose S2 to Cyclinder Part. no. 34050135 3/8" hydraulic Hose 1 per machine</p>	<p>Hose no. 11 Hose S2 to Cyclinder Part. no. 34050136 3/8" hydraulic Hose 1 per machine</p>	<p>Hose No. 12 Hose from B2 to B3 Hose from A3 to A2/A3 Hose from B3 to G Part. nr. 34050110 3/8" hydraulic Hose 3 per machine</p>	<p>Hose no. 6, 7, 8 &amp; 9 Roller Motor Part. nr. 1308500 3/8" hydraulic hose 4 per machine Replacering (2x) Part. nr. 34050137</p>
<p>Hose No. 1 1/2" ISO Male Q4 coupling Faded Hose Part. nr. 34050068 1/2" hydraulic Hose 1 per machine</p>	<p>Hose No. 2 1/2" ISO Male QR coupling Return Hose Part. no. 34050069 1/2" hydraulic Hose 1 per machine</p>	<p>Hose No. 3 3/8" 45° SWIVEL 1/2" female swivel 1/2" ISO Male QR coupling Return Hose Part. no. 34050069 1/2" hydraulic Hose 1 per machine</p>	<p>Hose No. 4 1/2" female swivel 1/2" ISO Male QR coupling Return Hose Part. no. 34050069 1/2" hydraulic Hose 1 per machine</p>



### 7.1 Junction Box.



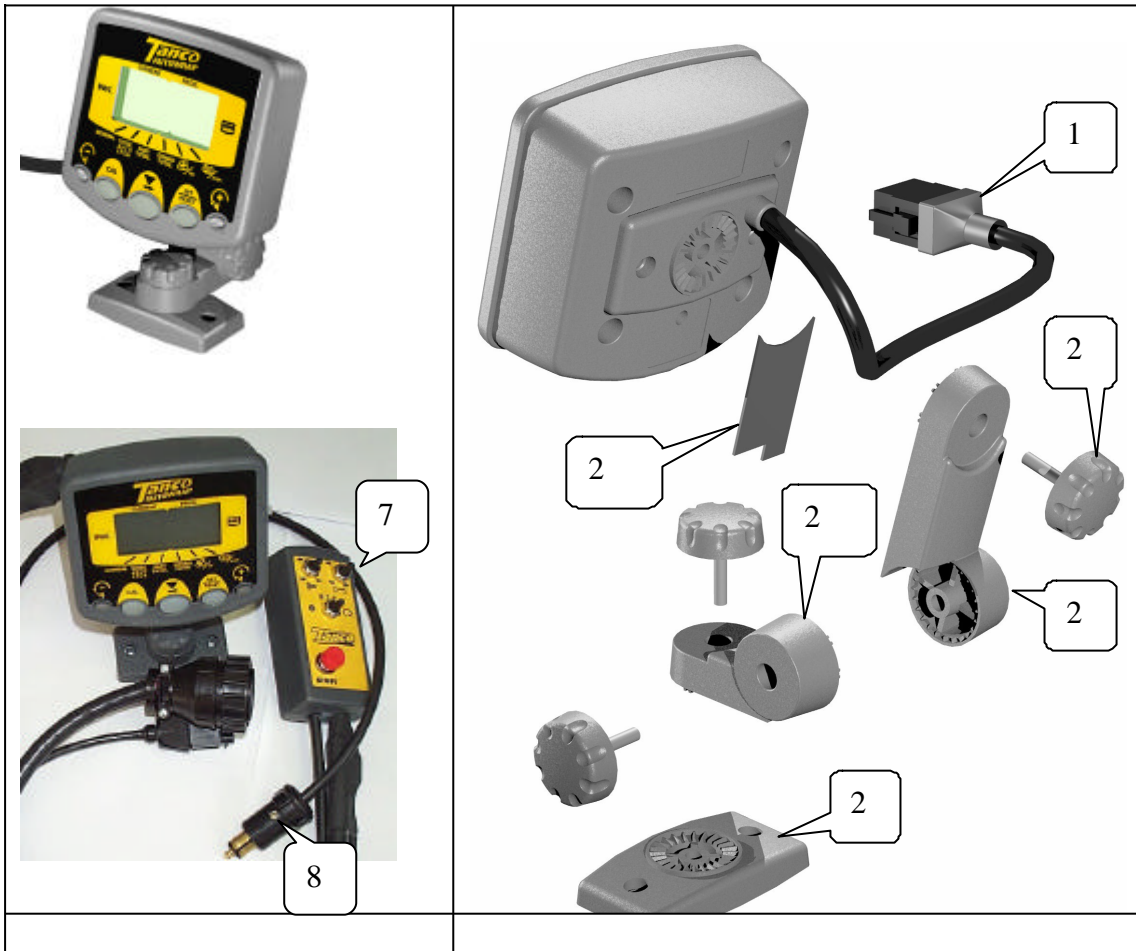
ITEM	PART NO.	QUANTITY	DESCRIPTION
	1309004	1	1300 Junction Box complete
1	1309003	1	Com Cable (3m) c/w 24 pin plug
2	1309005	7	Hirshmann c/w screw, gland and 0.7 m cable
3	1309202	1	RDS Sensor (2 m cable) c/w nuts
4	34950179	1	Emergency stop switch

### 7.2. EH Controller



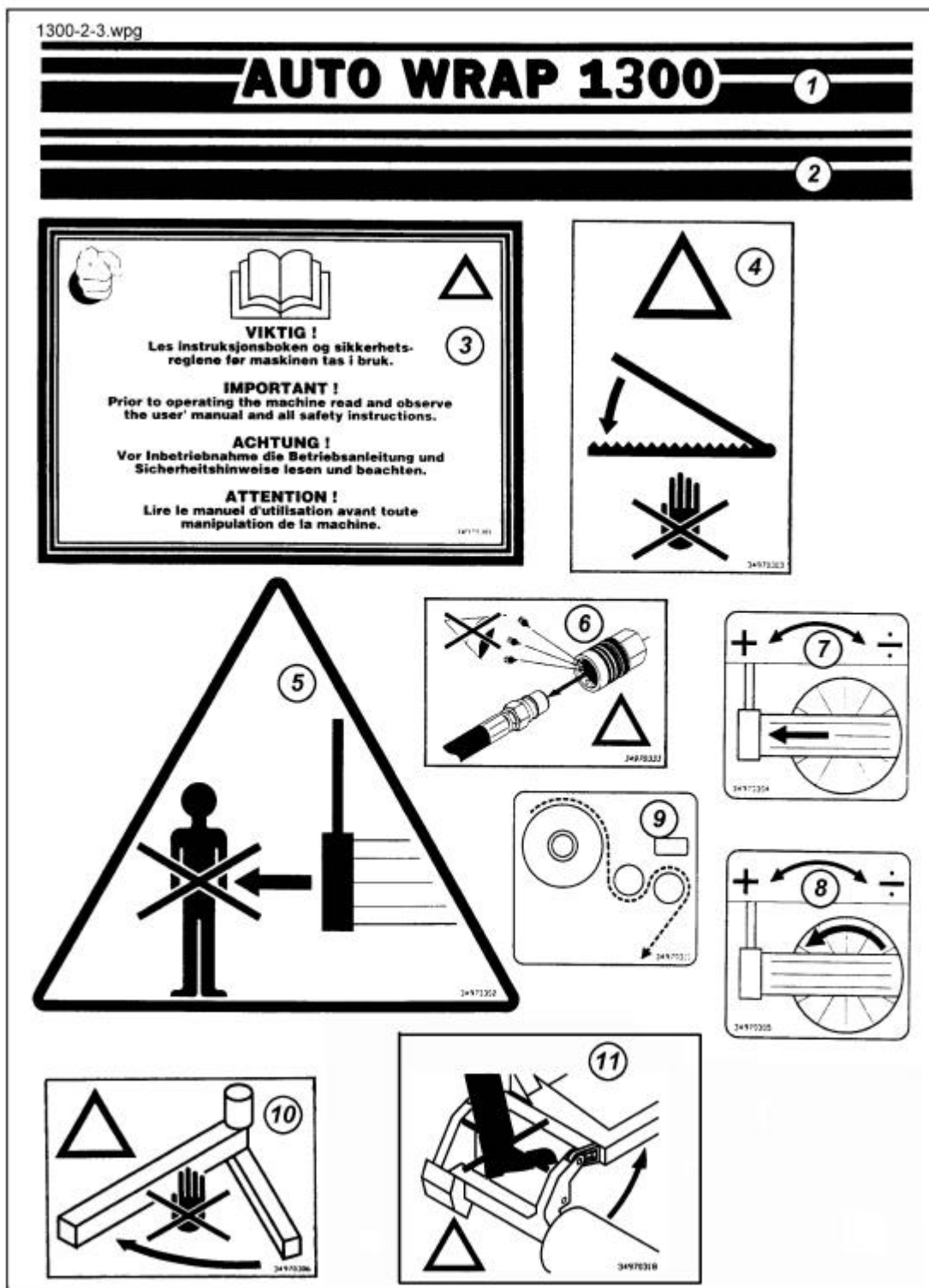
ITEM	PART NO.	QUANTITY	DESCRIPTION
1	1309006	1	RA Control Unit
2	1309001		RA Faceplate RDS
3	1309009	1	2 pin connector Female + 2 spade pins
4	1309011	1	Controller mounting bracket EH
5	1309012	1	Controller suction cup
	1309100		1300 Extension Cable (3m)
	1309007		EH Battery Cable (3m)
	1309010		2 pin connector male + 2 female pins

**7.3. 1300 M controller.**



Item	Part No.	Qty.	Description
1	1009200	1	RDS BWC complete with brackets
2	1009007	1	BWC mounting brackets
3	1309300	1	1300 M Handheld Controller
4	1309009	1	2 pin connector Female + 2 spade pins
5	1309302	1	1300 M Battery cable

### 8.1. Safety Decals



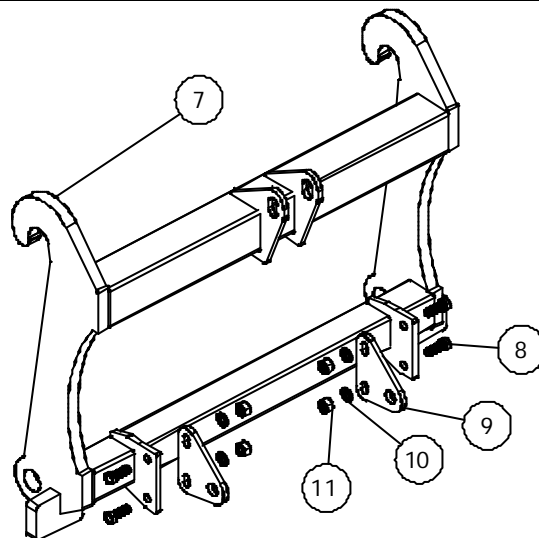
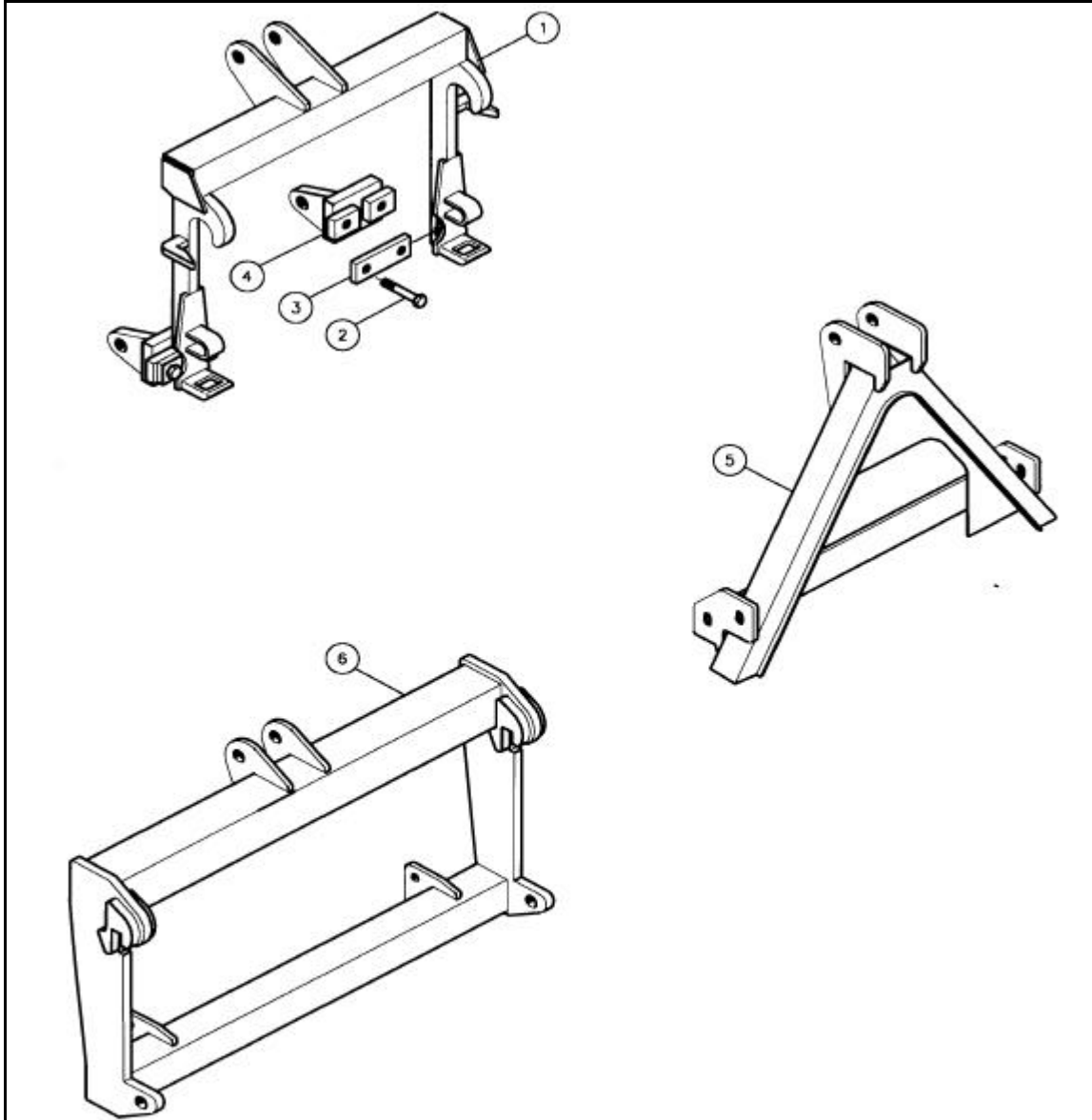


Tanco Auto wrap 1300  
Spare parts list

**8.2. Safety Decals part list**

ITEM	PART NO.	QUANTITY	DESCRIPTION
1	34970356	2	Decal, stripes with text
2			
3	34970301	1	Important! Prior to operate...
4	34970303	1	Danger, cutter
5	34970302	1	Danger, prestretcher
6	34970333	1	Danger, hydraulic oil
7	34970304	1	Adjustment, wrap.arm speed
8	34970305	1	Adjustment, roller speed
9	34970311	1	Prestrecher, mounting film
10	34970306	2	Danger, wrapping arm/tower
11	34970317	2	Danger, roller arms

9.1. Attachment brackets



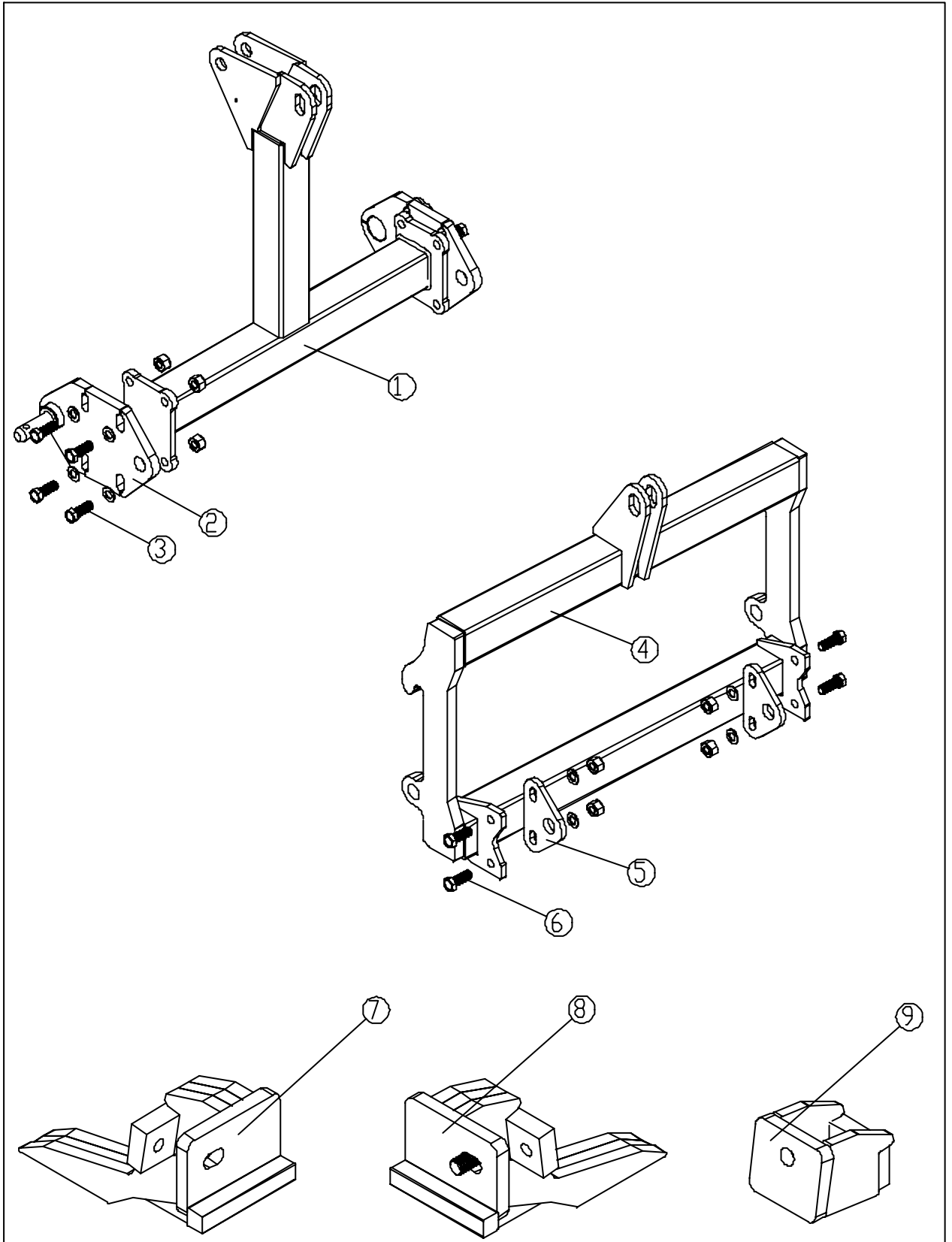


## 9.2. Attachment brackets parts list

ITEM	PART NO.	QTY	DESCRIPTION
	<b>35810031</b>		<b>Trima bracket Kit</b>
1		1	Trima bracket Frame
2	34115600	1	Bolt
3	34251490	1	Locking bar
4	34251489	3	Locking bar holder
<b>5</b>	<b>35810030</b>	<b>1</b>	<b>Triangle bracket Kit</b>
	34611552	1	Triangle Frame
	34611553	2	Bolt on bracket
	34310800	4	M16 Spring washer
	34110051	4	M16 x 45 Bolt
	34232100	4	M16 Locknut
<b>6</b>	<b>35810034</b>	<b>1</b>	<b>Volvo bracket Kit</b>
	34611544	1	Volvo Bracket Frame
	34611543	2	Bolt-on bracket
	34119176	4	M16 x 60 Bolt
	34302105	4	M16 Flat washer
	34232100	4	M16 Locknut
	<b>35810035</b>	<b>1</b>	<b>Industrial Euro Bracket Kit</b>
7	34611545	1	Industrial Euro Bracket
9	34611543	2	Bolt-on bracket
8	34119176	4	M16 x 60 Bolt
10	34302105	4	M16 Flat washer
11	34232100	4	M16 Locknut



### 9.3. Attachment brackets







#### 9.4. Attachment Brackets part list

ITEM	PART NO.	QTY	DESCRIPTION
	<b>35810029</b>		<b>3-Point linkage bracket Kit (kat II)</b>
1	34611547	1	3-Point linkage Frame
2	34611548	2	Bolt-on plate
3		8	Bolt assembly
	34119176	1	Bolt M16 x 60
	34232100	1	Lock Nut M16
	34301000	1	Flat Washer M16
	<b>35810031</b>		<b>Alo bracket kit (Type 3)</b>
4	34611550	1	Alo bracket
5	34611551	2	Bolt-on plate
6		4	Bolt assembly
	34110042	1	Bolt M16 x 45
	34232100	1	Lock Nut M16
	34301000	1	Flat Washer M16
	<b>35100335</b>		<b>Brackets for dia 150cm round bales</b>
7	34611527	1	Roller arm support LHS
8	34622526	1	Roller arm support RHS
9	34611528	2	Roller arm stop
	34111500	4	Bolt M16 x 50
	34232100	4	Lock Nut M16
	34301000	4	Flat Washer M16