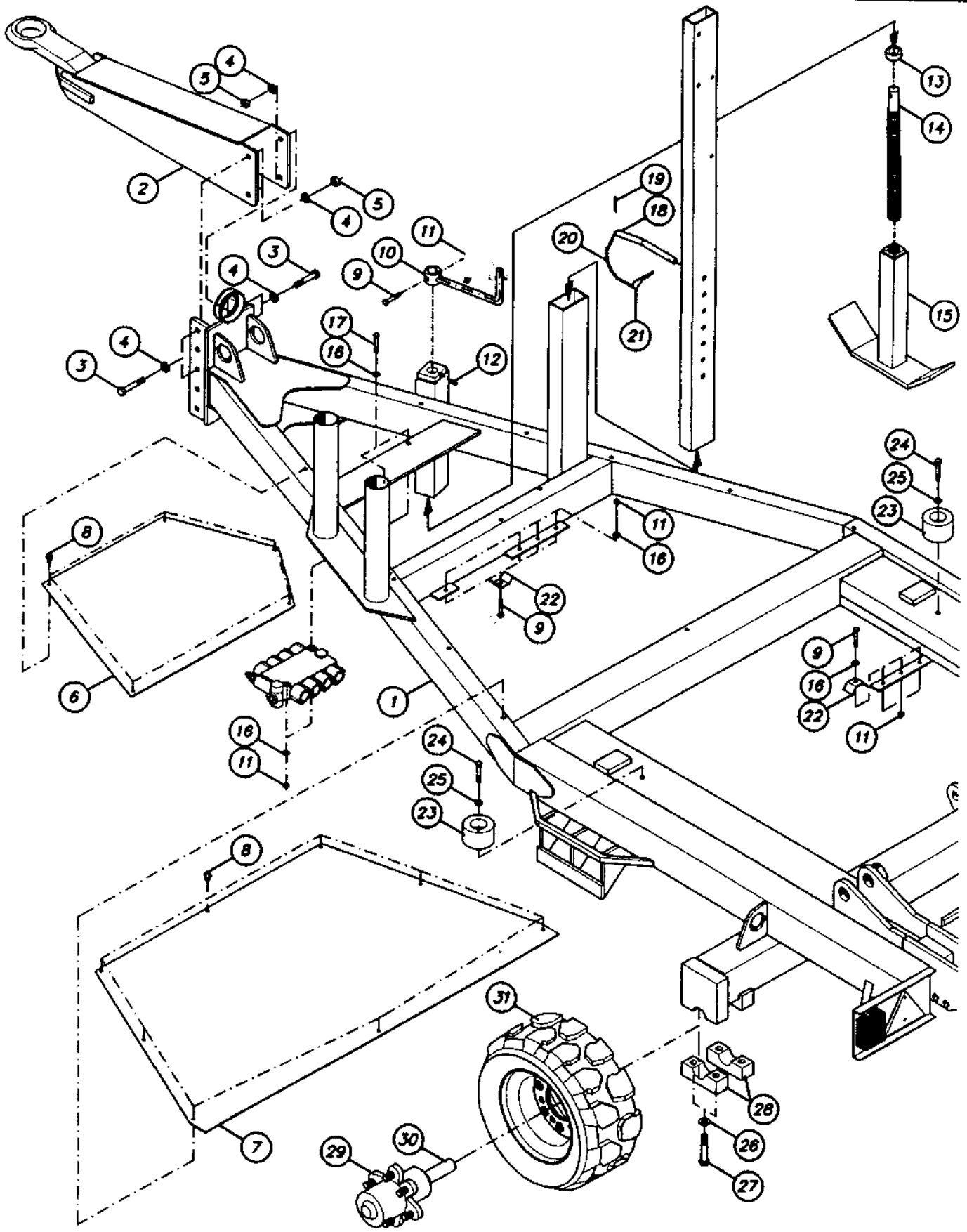


RESERVEDELSLISTE - SPARE PARTS LIST - ERSATZTEILLISTE

2-1

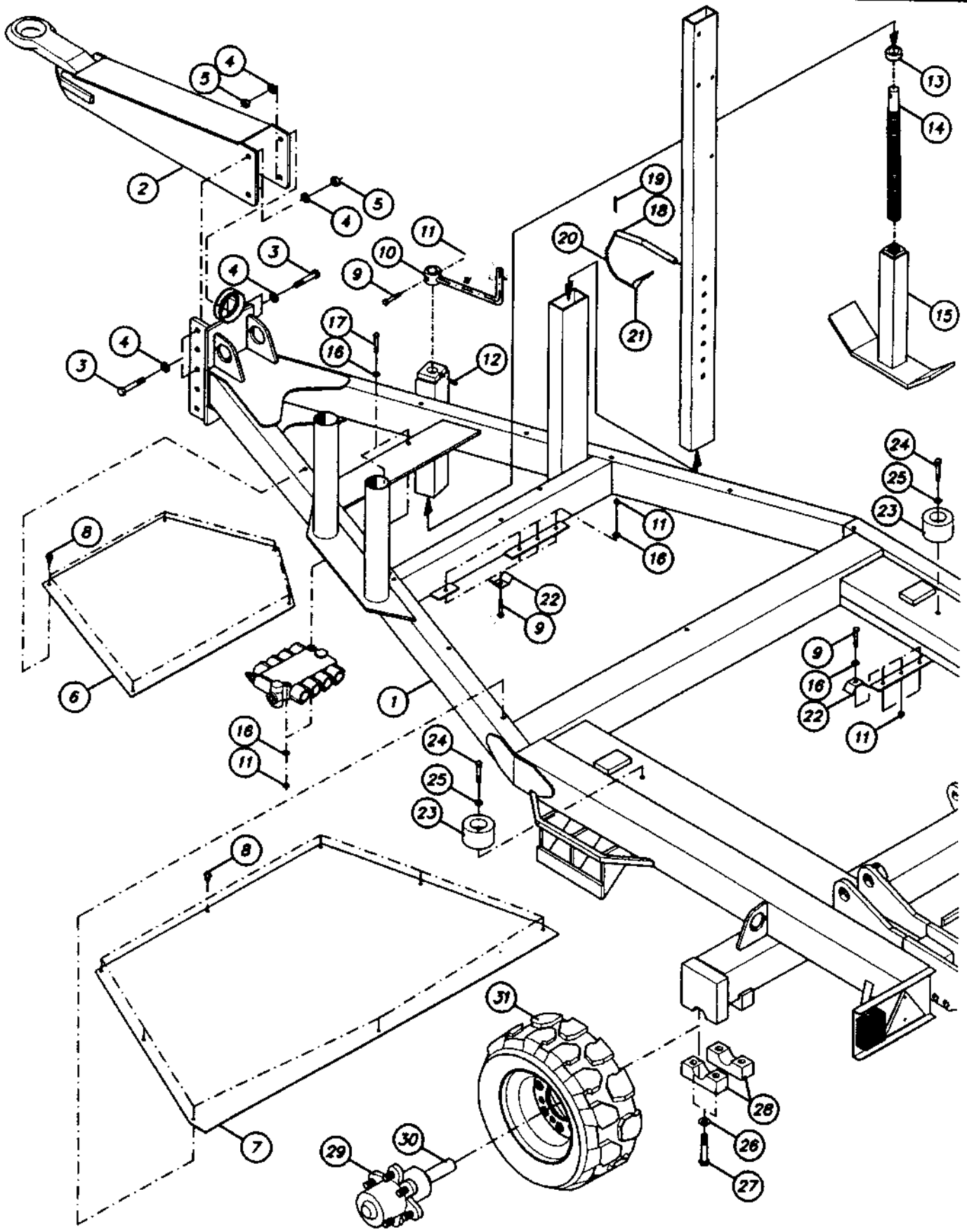
AUTO WRAP 4000



RESERVEDELSLISTE - SPARE PARTS LIST - ERSATZTEILLISTE

2-1

AUTO WRAP 4000



RESERVEDELSLISTE - SPARE PARTS LIST - ERSATZTEILLISTE

AUTO WRAP 4000

4000AW-2.001
25 juni 1997

HOVEDDRAMME MAIN FRAME HAUPTRAHMEN

| Pos | Art. Nr. | No | Beskrivelse | Description | Bezeichnung | Type - Dimension |
|-----|----------|----|---------------------|---------------------------|----------------------------|------------------------|
| 1 | 34611447 | 1 | Hovedramme | Main frame | Hauptrahmen | |
| 2 | 34611448 | 1 | Drag | Drag bar | Deichsel | |
| 3 | 34118900 | 4 | Skrue | Bolt | Schraube | M12 x 40 DIN 933 EL.Z. |
| 4 | 34302123 | 8 | Skive, underlag | Washer | Scheibe | M12 DIN 125 EL.Z. |
| 5 | 34231300 | 4 | Mutter, lås | Nut, lock | Schließmutter | M12 DIN 985 EL.Z. |
| 6 | 34911380 | 1 | Deksel, front | Cover | Deckel | |
| 7 | 34911381 | 1 | Deksel, bak | Cover | Deckel | |
| 8 | 34115100 | 13 | Skrue selvgjenget | Bolt | Schraube | M6 x 25 |
| 9 | 34110004 | 16 | Skrue | Bolt | Schraube | M8 x 50 |
| 10 | 34120308 | 1 | Sveiv | Swing arm | Wickelarm | |
| 11 | 34230500 | 18 | Mutter, lås | Nut, lock | Schließmutter | M8 |
| 12 | 34060800 | 1 | Fettnippel | Grease nipple | Schmiernippel | M8 x 1 |
| 13 | 34351000 | 1 | Trustering | Support ring | Stütring | |
| 14 | 34120305 | 1 | Skrue | Bolt | Schraube | |
| 15 | 34632900 | 1 | Støttelabb | Parking foot | Aufstoßenfuß | M30 x 398 |
| 16 | 34302121 | 19 | Skive, underlag | Washer | Scheibe | M8 DIN 125 EL ZINK |
| 17 | 34110100 | 2 | Skrue | Bolt | Schraube | M8 x 60 |
| 18 | 34105647 | 1 | Bolt til fortrekker | Bolt for the prestretcher | Bolzen, vorspanner | |
| 19 | 34220200 | 1 | Klæftesplint | Split pin | Sicherungssplint | 4 x 36 |
| 20 | 34801322 | 1 | Kjetting m/kroker | Chain with hooks | Kette mit haken | 1,5 x 350mm |
| 21 | 34210000 | 1 | Låsesplint, håmål | Lock pin, hairpin | Sicherungsplint, Haarnadel | 4 mm |
| 22 | 34260205 | 15 | Slange klammer | Hose clamps | Schlauch klammer | |
| 23 | 34420003 | 2 | Gummie pute | | | ø70 x 35 |
| 24 | 34110000 | 2 | Skrue | Bolt | Schraube | M8 x 25 |
| 25 | 34310600 | 4 | Skive, underlag | Washer | Scheibe | M16 |
| 26 | 34302125 | 8 | Skive, underlag | Washer | Scheibe | M16 DIN 125 EL.Z. |
| 27 | 34118500 | 8 | Skrue | Bolt | Schraube | M16 X 65 |
| 28 | 34260210 | 4 | Hjulklammer | Wheel bracket | Radklammern | |
| 29 | 34710120 | 2 | Aksetapp til nav | Wheel axel | Radwelle | RÖWDE |
| 30 | 34710119 | 2 | Nav 21 | Nave 21 | Nabe 21 | RÖWDE |
| 31 | 34710118 | 2 | Dekk m/felg mont. | Tire with hub | Luftreifen mitt Radfelge | RÖWDE |

Lager NDR4 skr 30207 YRE 30205

RESERVEDELSLISTE - SPARE PARTS LIST - ERSATZTEILLISTE

AUTO WRAP 4000

3-1

4000AW-3.001
25 juni 1997

TIPPRAMME TILT FRAME KIPPRAHMEN

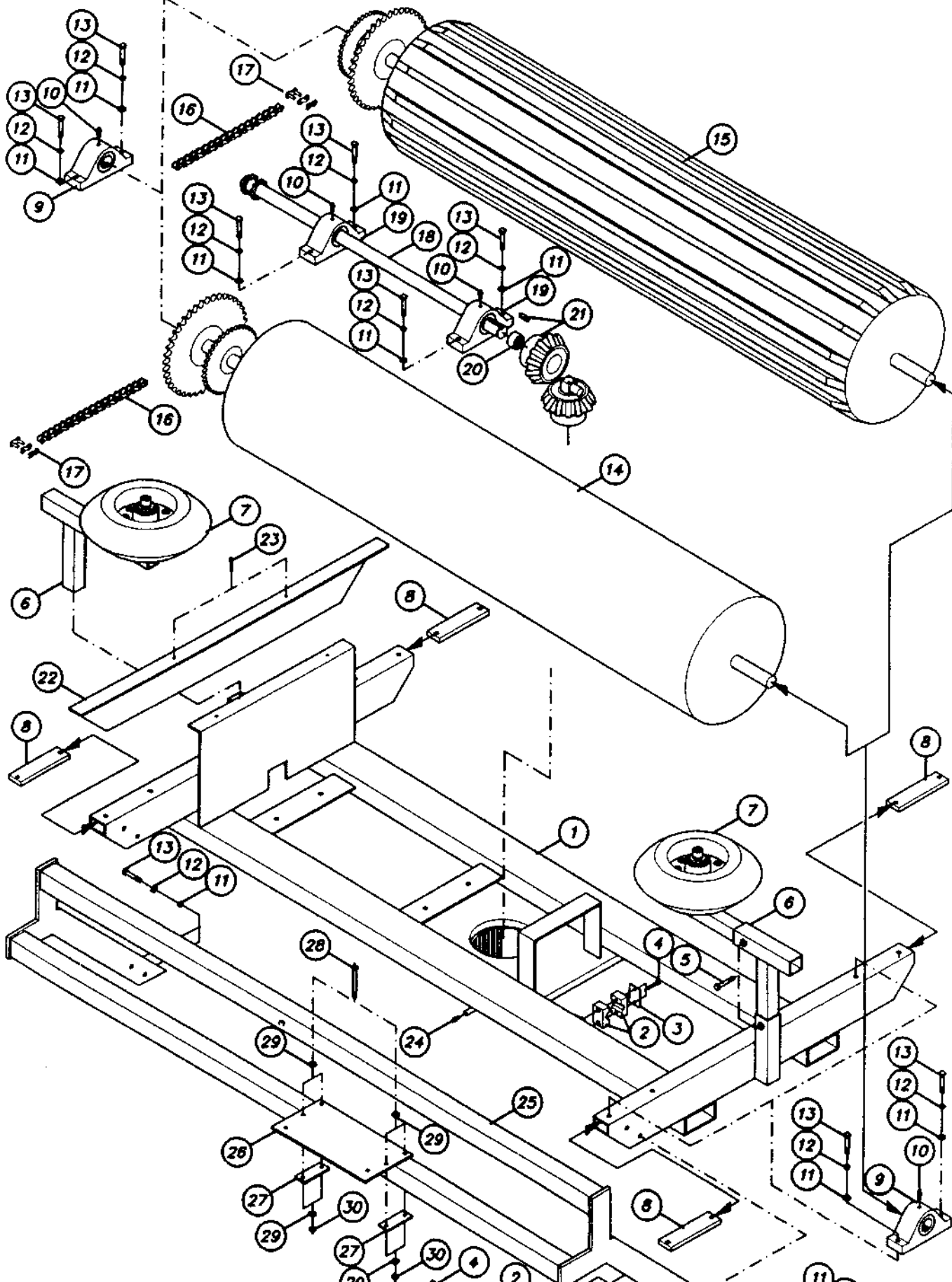
| Pos | Art. Nr. | No | Beskrivelse | Description | Bezeichnung | Type - Dimension |
|-----|----------|----|------------------------|------------------------|-------------------------|-----------------------|
| | 34611452 | | Tippramme komplett | Tilt frame complete | Kipprahmen komplett | |
| 1 | 34830108 | 1 | Pinjong | Pinion | Stirnritzel | |
| 2 | 34321234 | 1 | Sporkulelager | Track ball bearing | Rillenkugellager | 6216 - 2z |
| 3 | 34810213 | 1 | Kjedehjul | Chain wheel | Kettenrad | 5/8" x 57 |
| 4 | 34811248 | 1 | Hovedkjede med lås | Main chain with lock | Hauptkette mit Schloß | 5/8" . 78 |
| 5 | 34321238 | 1 | Konisk rullelager | Conical roller bearing | Kegelrollenlager | 32216 |
| 6 | 34280005 | 1 | Styrepinne | Steering pin | Steuerzapfen | |
| 7 | 34380526 | 1 | Pal | Wedge | Klinke | |
| 8 | 34110300 | 1 | Skruer | Bolt | Schraube | M10 x 30 |
| 9 | 34119090 | 1 | Skruer, unbrako | Bolt, socket head | Zylinderschraube | M14 x 120 |
| 10 | 34231700 | 1 | Mutter, lås | Nut, lock | Schließmutter | M14 |
| 11 | 34232072 | 1 | Mutter | Nut | Mutter | M10 |
| 12 | 34230500 | 1 | Mutter, lås | Nut, lock | Schließmutter | M8 |
| 13 | 34302121 | 2 | Ståipakning | Tightening ring | Dichtungsring | M8 DIN 125 EL.Z. |
| 14 | 34670157 | 1 | Monteringsplate, føler | Fastening bracket. | Anbauplatte | |
| 15 | 34110000 | 1 | Skruer | Bolt | Schraube | M8 x 25 DIN 933 EL.Z. |
| 16 | 34951423 | 1 | Føler m/ 1m ledning. | Sensor w/ 1m wire | Meßfühler / 1m leitung | |
| 17 | 34119180 | 2 | Skruer | Screw | Schraube | M4 x 25 |
| 18 | 34238900 | 1 | Mutter, lås | Nut, lock | Schließmutter | M4 |
| 19 | 34110083 | 2 | Skruer | Bolt | Schraube | M6 x 20 |
| 20 | 34680054 | 1 | Motorbrakett | Motor bracket | Motorhalter | |
| 21 | 34231300 | 2 | Mutter, lås | Nut, lock | Schließmutter | M12 DIN 985 EL.Z. |
| 22 | 34114700 | 6 | Skruer | Bolt | Schraube | M12 x 30 EL.Z. |
| 23 | 34119131 | 1 | Strammeskrue | Tightening screw | Spannschraube | M12 x 75 |
| 24 | 34810214 | 1 | Kjedehjul med lås | Chain wheel with lock | Kettenrad mit Sicherung | 5/8" x 12 |
| 25 | 34371436 | 1 | Avstandshylse | Spacer | Distanzhülse | |
| 26 | 34270105 | 1 | Passkile | Wedge | Keil | A8 x 7 x 32 |
| 27 | 34090175 | 1 | Hydraulikmotor | Hydraulic motor | Hydraulikmotor | EPM 200 |
| 28 | 34083900 | 1 | Sjokkventil | Shock valve | Schock-Ventil | VAE 06/E 2FS |
| 29 | 34100600 | 1 | Bolt | Bolt | Bolzen | ø25 x 90 |
| 30 | 34110004 | 1 | Skruer | Bolt | Schraube | M8 x 50 DIN 931 EL.Z. |
| 31 | 34230500 | | Mutter, lås | Nut, lock | Schließmutter | M8 |
| 32 | 34611473 | | Tippramme | Tilt frame | Kipprahmen | |

RESERVEDELSLISTE - SPARE PARTS LIST - ERSATZTEILLISTE

4-1

AUTO WRAP 4000

AW4000,W5



RESERVEDELSLISTE - SPARE PARTS LIST - ERSATZTEILLISTE

AUTO WRAP 4000

4000AW-4.001
28 juni 1997

STØTTERULLER / RULLEDRIFT SUPPORT ROLLERS / ROLLERS DRIVE STÜTZROLLEN / WALZEN ANTRIEB

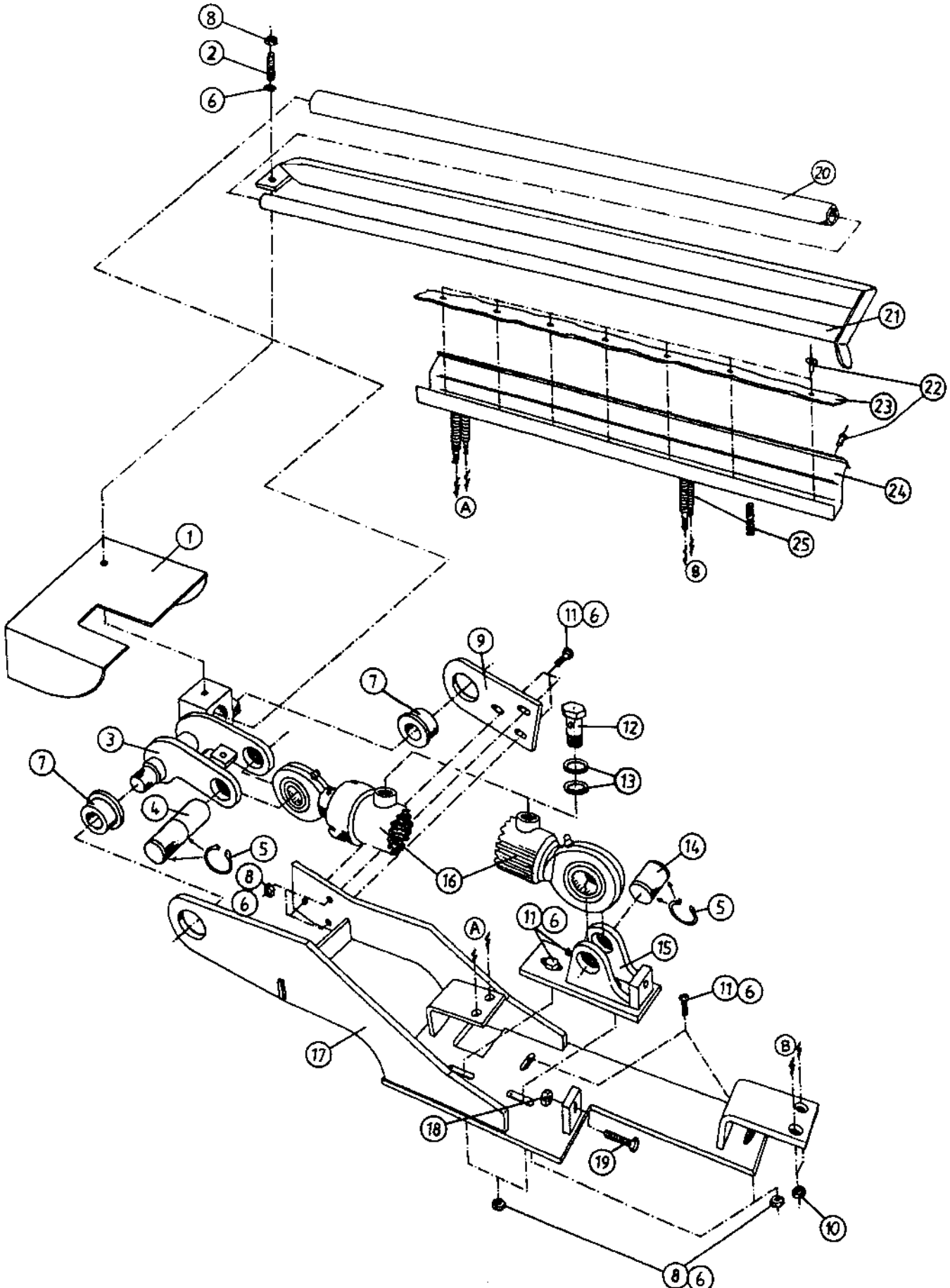
| Pos | Art. Nr. | No | Beskrivelse | Description | Bezeichnung | Type - Dimension |
|-----|----------|----|-------------------------|----------------------------|----------------------------|-------------------|
| | 35100104 | - | Bord, komplett | Table, complete | Platte, komplett | |
| 1 | 34611441 | 1 | Hovedramme for bord | Main frame for table | Hauptrahmen für Platte | |
| 2 | 34260109 | 6 | klembakke, enkelt | Clamp, single | Klammer, einfach | 12mm |
| 3 | 34260108 | 3 | Topp-plate, enkelt | Top-plate, single | Klammerhalter, einfach | |
| 4 | 34119001 | 6 | Skrue | Bolt | Schraube | M6 x 30, DIN 931 |
| 5 | 34119165 | 4 | Skrue | Bolt | Schraube | M10 x 25 |
| 6 | 34670145 | 2 | Holder for hjul | Wheel holder | Radhalter | |
| 7 | 34520736 | 2 | Hjul | Wheel | Rad | |
| 8 | 34380518 | 4 | Festeplate | Fixing plate | Halteplatte | |
| 9 | 34321236 | 4 | Fotlager | Stepbearing | Fußlager | UCP 206 (ø30) |
| 10 | 34060801 | 4 | Smørenippel | Grease nipple | Schmiernippel | M6 x 1 |
| 11 | 34302123 | 12 | Skive, underlag | Washer | Scheibe | M12 DIN 125 EL.Z. |
| 12 | 34310600 | 12 | Skive, spreng | Spring washer | Federring | 12mm |
| 13 | 34110026 | 12 | Skrue | Bolt | Schraube | M12 x 35 EL.Z. |
| 14 | 34340134 | 1 | Vals | Roller | Waize | |
| 15 | 34340133 | 1 | Vals med ribber | Ribbed roller | Waize mid Rippen | |
| 16 | 34810846 | 2 | Kjede | Chain | Ketten | 5/8" x 77 |
| 17 | 34810817 | 2 | Kjede lås | Chain lock | Ketten Schloß | |
| 18 | 34130246 | 1 | Drivaksel | Drive shaft | Antriebswelle | |
| 19 | 34321237 | 2 | Fotlager | Stepbearing | Fußlager | UCP 206 (ø25) |
| 20 | 34371435 | 1 | Avstandshylse | Spacer | Distanzhülse | |
| 21 | 34830109 | 1 | Kronhjul med kile | grooved crown wheel | Stirnrad mit paßfeder | |
| 22 | 34851246 | 1 | Kjededeksel | Chain cover | Kettendckel | |
| 23 | 34110083 | 2 | Skrue | Bolt | Schraube | M6 x 20 |
| 24 | 34062019 | 2 | Smørenippel | Grease nipple | Schmiernippel | M10 x 5 |
| 25 | 34681063 | 1 | Knivbeslag | Knife bracket | Messert befestigung | |
| 26 | 34670156 | 1 | Knivholder | Knife holder | Messertragen | |
| 27 | 34670155 | 2 | Klemjern for knivholder | squeez plate, knife holder | Klemm platte, messertragen | |
| 28 | 34119033 | 4 | Skrue | Bolt | Schraube | M8 x 70 |
| 29 | 34302121 | 8 | Skive, underlag | Washer | Scheibe | M8 DIN 125 EL.Z. |
| 30 | 34230500 | 4 | Mutter, lås | Nut, lock | Schließmutter | M8 |

RESERVEDELSLISTE - SPARE PARTS LIST - ERSATZTEILLISTE

5-1

AUTO WRAP4000

autow5-1.wpg



RESERVEDELSLISTE - SPARE PARTS LIST - ERSATZTEILLISTE

AUTO WRAP 4000

5-1

4000AW-5.001
26 juni 1997

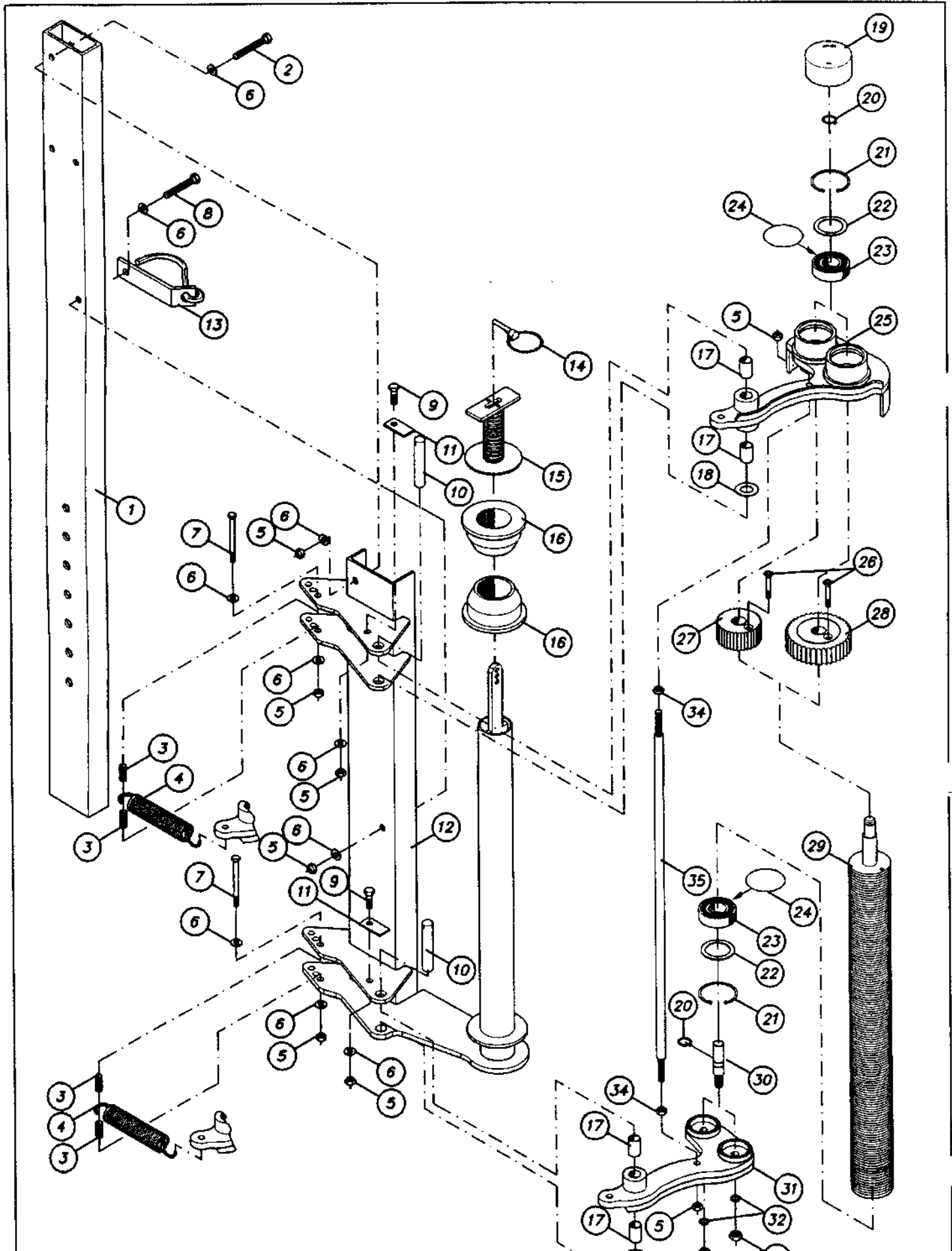
KNIV CUTTER MESSER

| Pos | Art. Nr. | No | Beskrivelse | Description | Bezeichnung | Type - Dimension |
|-----|----------|----|---------------------------|-----------------------------|--------------------------|---------------------|
| | 34920607 | - | Kniv komplett | Cutter complete | Messer komplett | |
| 1 | 34851203 | 1 | Knivdeksel | Joint cover | Schutzdeckel über Messer | |
| 2 | 34119142 | 1 | Pinneskrue, rustfri | Screw stud, stainless | Schraubendübel, rostfrei | M8 x 35 |
| 3 | 34920524 | 1 | Knivaksel | Knife shaft | Schwenkteil | |
| 4 | 34105632 | 1 | Sylinderbolt | Bolt for cylinder | Zylinderbolzen | 25 x 69 |
| 5 | 34240704 | 4 | Låsering | Locking ring | Sicherungsring | A 25 |
| 6 | 34302121 | 15 | Skive, underlag | Washer | Scheibe | 8 mm |
| 7 | 34321518 | 2 | Flenslager, 2992 | Bearing, 2992 | Flanschlager, 2992 | 20/28 x 16 - 35 x 4 |
| 8 | 34230500 | 8 | Mutter, lås | Nut, lock | Schließmutter | M8, DIN 985 |
| 9 | 34920597 | 1 | Knivøre | Fastening ear | Lagerhalter | |
| 10 | 34230900 | 4 | Mutter, lås | Nut, lock | Schließmutter | M10, DIN 985 |
| 11 | 34112700 | 7 | Skruer | Bolt | Schraube | M8 x 30, DIN 933 |
| 12 | 34061935 | 2 | Banjoskrue, slangekobling | Bolt for hose coupling | Banjoschraube | M16 x 1,5 |
| 13 | 34043500 | 4 | Stålpakning | Tightening ring | Dichtungsring | DKAZ, 16 mm |
| 14 | 34105631 | 1 | Sylinderbolt | Bolt for cylinder | Zylinderbolzen | 25 x 52 |
| 15 | 34920525 | 1 | Sylinderfeste | Fastening bracket, cylinder | Zylinderbefestigung | |
| 16a | 34001102 | 1 | Knivsynder | Cutter cylinder | Hydr. Zylinder | 40/20 x 125 UNI |
| 16b | 34001111 | 1 | Knivsynder | Cutter cylinder | Hydraulik Zylinder | 40/20 x 125 ØYA |
| 16c | 34043800 | - | Pakn.sett, knivsynd. | Seal set, cylinder | Dicht.satz, Zylinder | BU/B2 40/20 UNI |
| 17 | 34920596 | 1 | Monteringsplate | Mounting bracket | Anbauplatte | |
| 18 | 34230400 | 1 | Mutter | Nut | Mutter | M8, DIN 934 |
| 19 | 34110003 | 1 | Skruer | Bolt | Schraube | M8 x 45, DIN 933 |
| 20 | 34480009 | 1 | Plasthylse | Plastic sleeve | Kunststoffbuchse | |
| 21 | 34611422 | 1 | Knivarm, | Cutter arm, | Messerarm, | |
| 22 | 34150007 | 15 | Popnagle | Pop-rivet | Popnagel | 5 x 12/14 |
| 23 | 34450428 | 1 | Gummiplate | Rubber strip | Gummiplatte | |
| 24a | 34920585 | 1 | Kniv underdel | Cutter, lower part | Messer, Unterteil | |
| 24b | 34911039 | 1 | Knivblad | Cutter blade | Messer Klinge | |
| 25 | 34430301 | 4 | Fjær | Spring | Feder | Danly |

RESERVEDELSLISTE - SPARE PARTS LIST - ERSATZTEILLISTE

6-1

AUTO WRAP 4000



RESERVEDELSLISTE - SPARE PARTS LIST - ERSATZTEILLISTE

AUTO WRAP

4000AW-6.001
26 juni 1997

FORSTREKKER 500mm PRESTRETCHER 500mm VORSPANNER 500mm

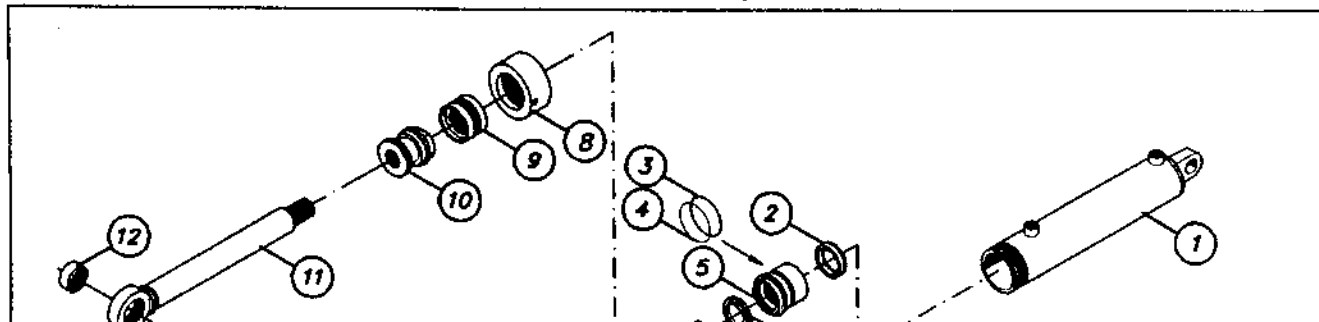
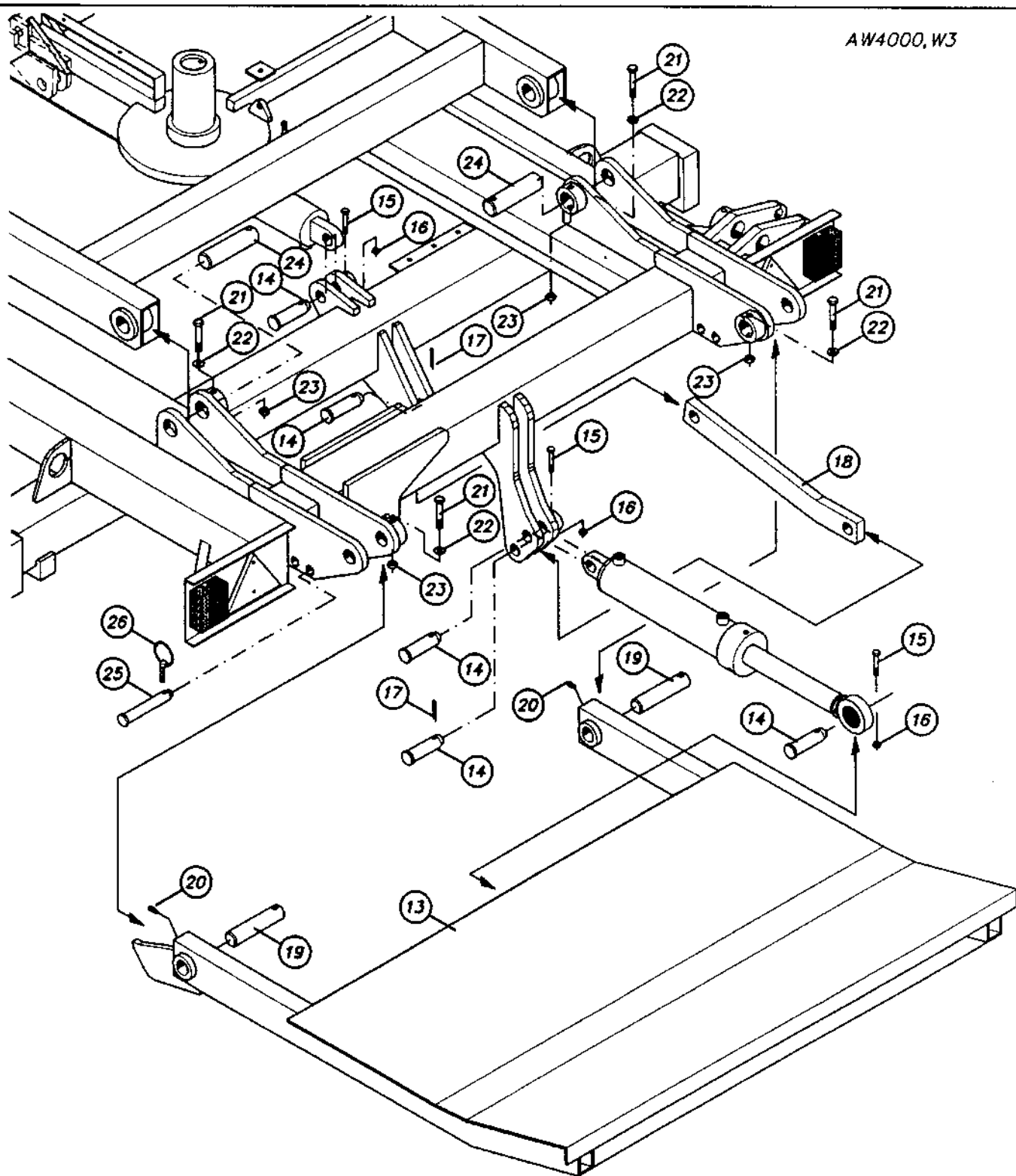
| Pos | Art. Nr. | No | Beskrivelse | Description | Bezeichnung | Type - Dimension |
|-----|----------|----|--------------------------------------------|------------------------------------------------|----------------------------------------------------|----------------------|
| | 34920516 | - | Forstrekker, komplett uten skjerm og krok. | Prestretcher, complete without cover and hook. | Vorspanner, komplett ohne Deckel und Einhänghaken. | 500 mm |
| | 34480011 | - | Plastrull | Film roll | Folienrolle | 500 mm |
| 1 | 34670117 | 1 | Forstrekker holder | Prestretcher holder | Vorspanner halterung | |
| 2 | 34110100 | 1 | Skrue | Bolt | Schraube | M8 x 60, DIN 931 |
| 3 | 34460102 | 4 | Plasthylse | Plastic sleeve | Kunststoffbuchse | 8/10 x 24 |
| 4 | 34430300 | 2 | Strekfjær | Spring | Zugfeder | 26 x 3 x 120 |
| 5 | 34230500 | 10 | Mutter, lås | Nut, lock | Schließmutter | M8, DIN 985 |
| 6 | 34302121 | 9 | Skive, underlag | Washer | Scheibe | 8 mm |
| 7 | 34110007 | 2 | Skrue | Bolt | Schraube | M8 x 80, DIN 931 |
| 8 | 34110005 | 1 | Skrue | Bolt | Schraube | M8 x 65, DIN 931 |
| 9 | 34110000 | 2 | Skrue | Bolt | Schraube | M8 x 25, DIN 933 |
| 10 | 34105627 | 2 | Hengstebolt | Jointing bolt | Scharnierbolzen | |
| 11 | 34680010 | 2 | Låsebrkke | Locking piece | Sicherungsblech | |
| 12 | 34670108 | 1 | Holder | Holder | Halterung | 500 mm |
| 13 | 34660104 | 1 | Holdekrok | Hook | Einhänghaken | |
| 14 | 34200000 | 1 | Orepinne | Linch pin | Klappspiint | 6 mm |
| 15 | 34430302 | 1 | Toppfjær | Top spring | Topfeder | |
| 16 | 34480004 | 2 | Styrehylse | Guiding sleeve | Steuerhülse | |
| 17 | 34320505 | 4 | Lagerhylse | Casing | Lagerbuchse | 15/17x25 PAP1525P10 |
| 18 | 34320506 | 2 | Lagerskive | Distance ring | Lagerscheibe | 32/18x1,5 PAW 18 P10 |
| 19 | 34450411 | 2 | Plasthette | Plastic cap | Haube | DBI - DUT 57 - M |
| 20 | 34240706 | 4 | Låsering | Locking ring | Sicherungsring | A-15 |
| 21 | 34240400 | 4 | Låsering | Locking ring | Sicherungsring | I-47 |
| 22 | 34920512 | 4 | Holdeskive | Supporting ring | Halterscheibe | 35/46 x 2 |
| 23 | 34320507 | 4 | Lager | Bearing | Lager | INA RABR - B 15/47 |
| 24 | 34321506 | 4 | Gummiring til lager | Rubber-ring for bearing | Gummiring für Lager | |
| 25 | 34611320 | 1 | Øvre hengslearm | Upper link arm | Obere Scharnierarm | |
| 26 | 34119013 | 2 | Skrue, unbrako senkehode | Bolt, socket head count.sunk | Senkschraube, inn.sechsk. | M6 x 40, DIN 7991 |
| 27 | 34090126 | 1 | Tannhjul | Sprocket | Zahnrad | 19 - 3 |
| 28 | 34090125 | 1 | Tannhjul | Sprocket | Zahnrad | 29 - 3 |
| 29 | 34340126 | 2 | Strammerull | Stretchroller | Vorspannrolle | 500 mm |
| 30 | 34130230 | 2 | Lagertapp | Bearing shaft | Wellenstümmel für Lager | |
| 31 | 34611321 | 1 | Nedre hengslearm | Lower link arm | Untere Scharnierarm | |
| 32 | 34310500 | 2 | Skive, spring | Washer | Scheibe | M10 |
| 33 | 34230800 | 2 | Mutter | Nut | Mutter | M10 |
| 34 | 34230400 | 2 | Mutter | Nut | Mutter | M8, DIN 934 |
| 35 | 34920506 | 1 | Stag | Bar | Gestänge | 8 x 635 |

RESERVEDELSLISTE - SPARE PARTS LIST - ERSATZTEILLISTE

7-1

AUTO WRAP 4000

AW4000, W3



RESERVEDELSLISTE - SPARE PARTS LIST - ERSATZTEILLISTE

AUTO WRAP 4000

4000AW-7.001
26 juni 1997

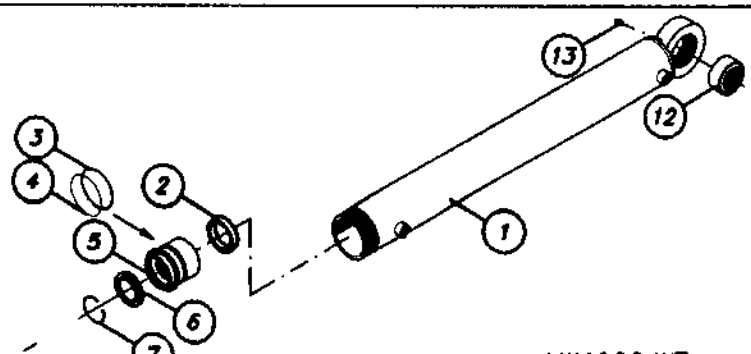
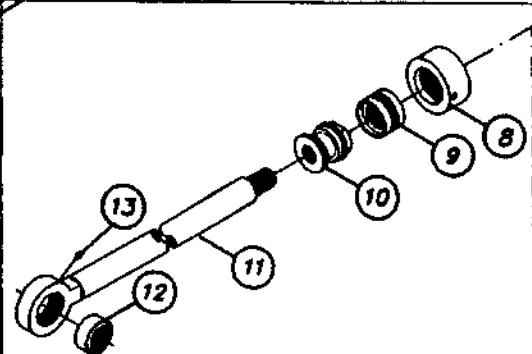
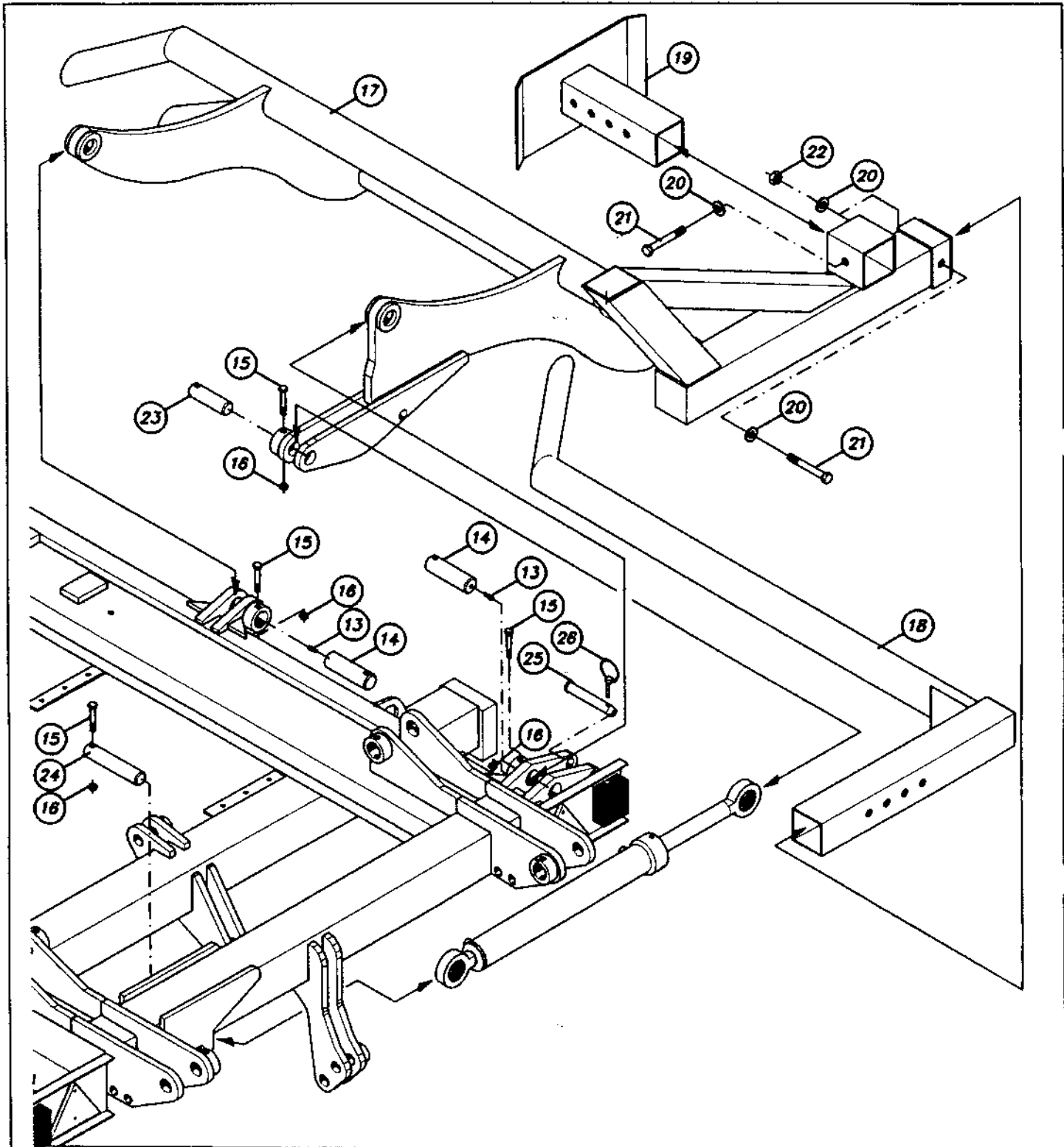
FALDEMPERER / SYLINDER FALL DAMPER / CYLINDER FALLDÄMPFER / ZYLINDER

| Pos | Art. Nr. | No | Beskrivelse | Description | Bezeichnung | Type - Dimension |
|-----|----------------------|--------|----------------------------------|----------------------------------|------------------------------------|-----------------------|
| | 34001106 35042800 | - - | Sylinder komplett Pakningsett | Cylinder complete Sealing set | Zylinder komplett Dichtungssatz | ø 70 x 40 x 220 |
| 1 | 34010001 | 2 | Sylinderhylse | Cylinder sleeve | Zylinderhülse | 70 x 220 |
| 2 | 34044035 | 2 | Stangpakning | Gland seal | Stangendichtung | 40 x 55 x 22.5 |
| 3 | 34044021 | 2 | O-ring | O-ring | O-ring | 63.09 x 3.53 |
| 4 | 34044022 | 2 | Støttering | Support ring | Stützring | 230 |
| 5 | 34031906 | 2 | Pakkboks | Gland | Stopfbuchse | 70 x 40 |
| 6 | 34044036 | 2 | Avstryker | Wiper ring | Absteifer | 40 x 48 x 5 / 7 |
| 7 | 34240718 | 2 | Låsering | Locking ring | Sicherungsring | 1 - 55 |
| 8 | 34031905 | 2 | Pakkboksmutter | Cylinder cap | Stopfbüchsenmutter | 70 mm |
| 9 | 34040300 | 2 | Stempelpakning | Pisten head seal | Kolbendichtung | 70 x 50 x 22 |
| 10 | 34031904 | 2 | Stempel | Pisten head | Kolben | 70 mm |
| 11 | 34020607 | 2 | Stempelstang | Pisten rod | Kolbenstange | 40 x 397 |
| 12 | 34320001 | 2 | Gelenklager | ball Jointed bearing | Gelenkköpfe | GE 25 DO |
| 13 | 34611451 | 1 | Falldemper | Fall damper | Falldämpfer | |
| 14 | 34100600 | 5 | Bolt | Bolt | Bolz | |
| 15 | 34110004 | 1 | Skrue | Bolt | Schraube | M8 x 50 DIN 931 EL.Z. |
| 16 | 34230500 | 3 | Mutter, lås | Nut, lock | Schließmutter | M8 |
| 17 | 34220400 | 2 | kløftesplint | Split pin | Sicherungssplint | 8 x 50 DIN 94 |
| 18 | 34600708 | 1 | Støttestag for falldemper | Support rod for fall damper | Stützstange falldämpfer | |
| 19 | 34105713 | 2 | Bolt | Bolt | Bolz | ø 30 x 132 |
| 20 | 34060800 | 2 | Smørenippel | Grease nipple | Schmiemippel | M8x 1 |
| 21 | 34119000 | 4 | Skrue | Bolt | Schraube | M10 x 70 DIN 933 EL.Z |
| 22 | 34302122 | 4 | Skive, underlag | Washer | Scheibe | 10mm |
| 23 | 34230900 | 4 | Mutter, lås | Nut, lock | Schließmutter | M10 |
| 24 | 34105712 | 2 | Bolt | Bolt | Bolz | ø 35 x 132 |
| 25 | 34100500 | 1 | Låsebolt | Securing bolt | Sicherungsbolz | ø 20 x 130 |
| 26 | 34200100 | 1 | Ørepinne | Linch pin | Klappsplint | 8mm |

RESERVEDELSLISTE - SPARE PARTS LIST - ERSATZTEILLISTE

8-1

AUTO WRAP 4000



RESERVEDELSLISTE - SPARE PARTS LIST - ERSATZTEILLISTE

AUTO WRAP 4000

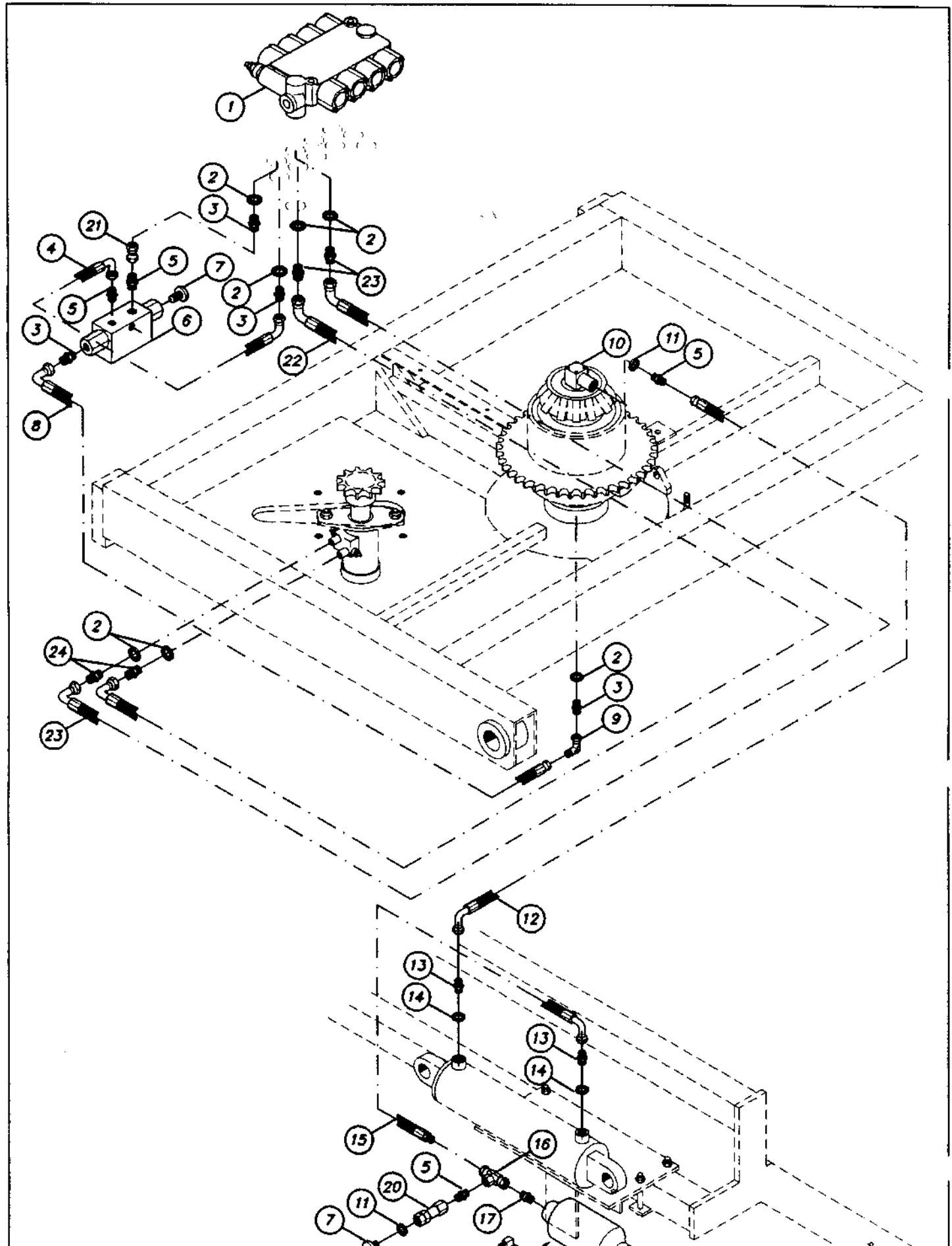
4000AW-8.001
26 juni 1997

LASTEBOYLE / SYLINDER LOADING ARM / CYLINDER HUBQABEL / ZYLINDER

| Pos | Art. Nr. | No | Beskrivelse | Description | Bezeichnung | Type - Dimension |
|-----|----------------------|--------|----------------------------------|----------------------------------|------------------------------------|------------------------|
| | 34001106 35042800 | - - | Sylinder komplett Pakningsett | Cylinder complete Sealing set | Zylinder komplett Dichtungssatz | ø 70 x 40 x 220 |
| 1 | 34010001 | 1 | Sylinderhylse | Cylinder sleeve | Zylinderhülse | |
| 2 | 34044035 | 1 | Stangpakning | Gland seal | Stangendichtung | 40 x 55 x 22.5 |
| 3 | 34044021 | 1 | O-ring | O-ring | O-ring | 63.09 x 3.53 |
| 4 | 34044022 | 1 | Støttering | Backup ring | Stützring | 230 |
| 5 | 34031906 | 1 | Pakkboks | Gland | Stopfbüchse | 70 x 40 |
| 6 | 34044036 | 1 | Avstryker | Wiper ring | Absteifer | 40 x 48 x 5 / 7 |
| 7 | 34240718 | 1 | Låsering | Lock ring | Sicherungsring | 1 - 55 |
| 8 | 34031905 | 1 | Pakkboksmutter | Cylinder cap | Stopfbüchsenmutter | 70 mm |
| 9 | 34040300 | 1 | Stempelpakning | Pisten seal | Kolbendichtung | 70 x 50 x 22 |
| 10 | 34031904 | 1 | Stempel | Pisten | Kolben | 70 mm |
| 11 | 34020607 | 1 | Stempelstang | Pisten rod | Kolbenstange | 40 x 397 |
| 12 | 34320001 | 1 | Gelenklager | ball Jointed bearing | Gelenkköpfe | GE 25 DO |
| 13 | 34060800 | 4 | Smørenippel | Grease nipple | Schmiemippel | M8x 7 |
| 14 | 34105711 | 1 | Bolt | Bolt | Bolz | ø 35 x 116 |
| 15 | 34119000 | 4 | Skrue | Bolt | Schraube | M10 x 70 DIN 933 EL. Z |
| 16 | 34230900 | 4 | Mutter, lås | Nut, lock | Schließmutter | M10 |
| 17 | 34611449 | 1 | Lasteboyle | Loading arm | Hubqabel | |
| 18 | 34611450 | 1 | Gaffelbein | Parking foot | Parkfuß | |
| 19 | 34380525 | 1 | Balle stopper | End stopper | Endstopper | |
| 20 | 34302125 | 4 | Skive, underlag | Washer | Scheibe | M16 DIN 125 EL.Z. |
| 21 | 34110046 | 2 | Skrue | Bolt | Schraube | M16 x 120 |
| 22 | 34232100 | 2 | Mutter, lås | Nut, lock | Schließmutter | M16 |
| 23 | 34105715 | 1 | Bolt | Bolt | Bolz | ø 30 x 100 |
| 24 | 34105714 | 1 | Bolt | Bolt | Bolz | ø 30 x 146 |
| 25 | 34100500 | 1 | Låsebolt | Lock bolt | Sicherungsbolz | ø 30 x 100 |
| 26 | 34200100 | 1 | Ørepinne | Linch pin | Klappspiint | 8mm |

RESERVEDELSLISTE - SPARE PARTS LIST - ERSATZTEILLISTE

9-1 AUTO WRAP 4000



RESERVEDELSLISTE - SPARE PARTS LIST - ERSATZTEILLISTE

AUTO WRAP 4000

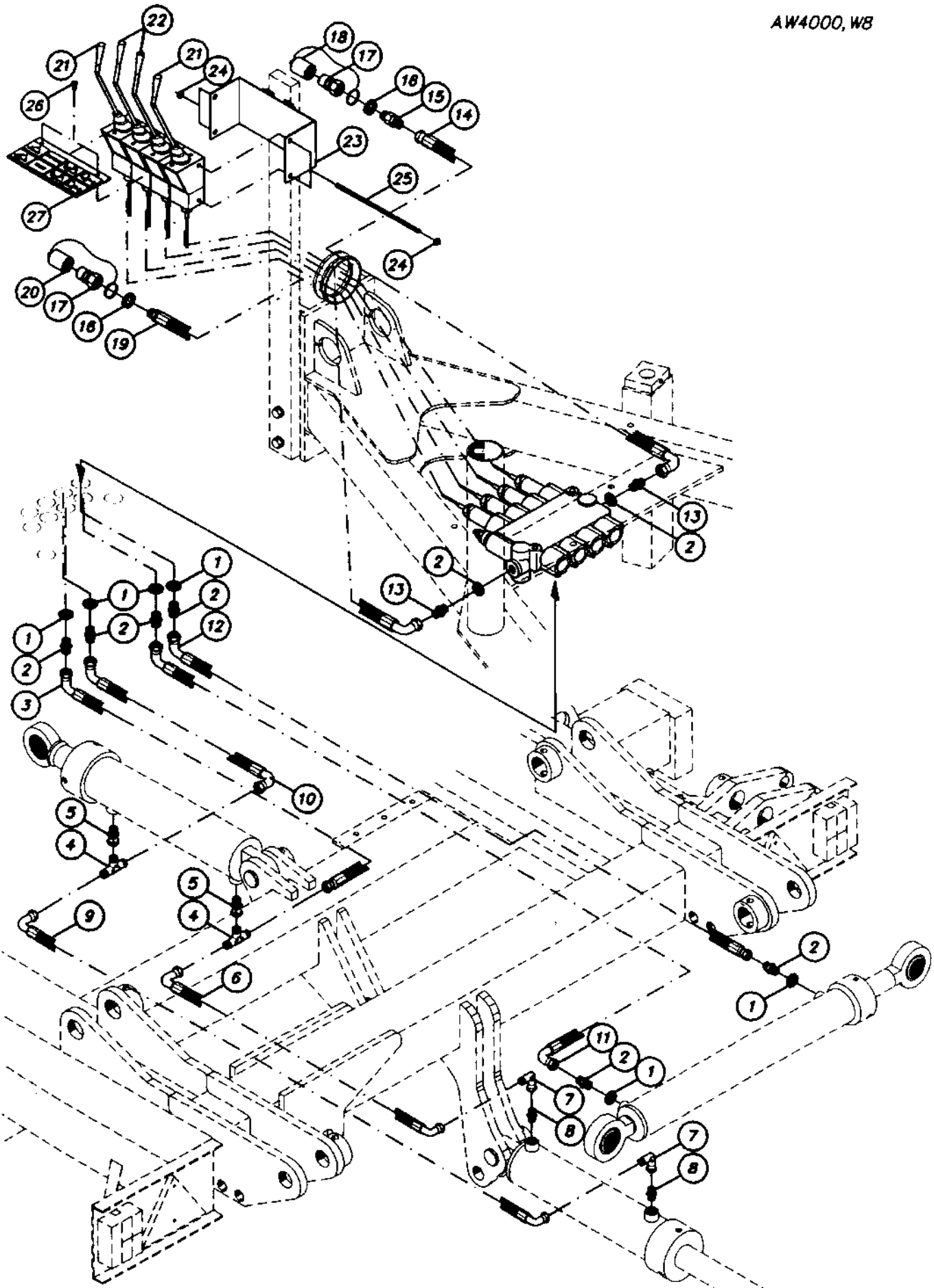
4000AW-9.001
26 juni 1997

KNIV DRIFT CUTTER DRIVE MESSERTRIEB

| Pos | Art. Nr. | No | Beskrivelse | Description | Bezeichnung | Type - Dimension |
|-----|----------|----|-------------------------------|-------------------------------|------------------------------|----------------------|
| 1 | 34087667 | | Retningsventil | Valve | Ventil | ML4.GZ 4xA1 D014001 |
| 2 | 34041700 | 1 | Stålpakning | Tightening ring | Dichtungsring | DKAZ, 3/8" |
| 3 | 34061805 | 1 | Ansatsnippel | Fitting | Ansatz | 3/8" x 1/4" |
| 4 | 34050105 | 1 | Slange | Hose | Schlauch | 1/4" x mm |
| 5 | 34061803 | 1 | Ansatsnippel | Fitting | Ansatz | 1/4" x 1/4" |
| 6 | 34082100 | 1 | Pilotstyrt tilbakeslagsventil | Pilot cont.non-return valve | Vorgest. Rückschlagsventil | Dob. |
| 7 | 34061885 | 2 | Blindplugg | Blind-plug | Dichtverschraubung | 1/4" |
| 8 | 35050095 | | Slange | Hose | Schlauch | 1/4" |
| 9 | 34061980 | 1 | Albu, utv./innv. m/svivel | Elbow, ext./internal w/swivel | Vinkel, aus./inn. m/Drehkopf | 90°, 1/4" x 1/4" |
| 10 | 34770031 | 1 | Hydr. Svivel | Hydr. Swivel | Hydr. Drehkopf | TY. 1200 3012-04 |
| 11 | 34041600 | 3 | Stålpakning | Tightening ring | Dichtungsring | DKAZ, 1/4" |
| 12 | 34050106 | 1 | Slange | Hose | Schlauch | 1/4" x 2550mm |
| 13 | 34061800 | 2 | Ansatsnippel | Fitting | Ansatz | 1/4" x 16mm |
| 14 | 34043500 | 2 | Stålpakning | Tightening ring | Dichtungsring | DKAZ, M16 |
| 14 | 34050104 | 1 | Slange | Hose | Schlauch | 1/4" x 580mm |
| 15 | 34061944 | 1 | T-stykke, innv. | T-piece, int. | T-stück inn. | 1/4" |
| 16 | 34061964 | 1 | Ansatsnippel | Fitting | Ansatz | M18 x 1.5 x 1/4" BSP |
| 17 | 34061963 | 1 | Akkumulator | Accumulator | Akkumulator | H 350 R |
| 18 | 34280206 | 1 | Slangeklemme | Hose clamp | Schlauchklemme | 77-95 mm |
| 19 | 34085100 | 1 | Tilbakeslagsventil | Non-return valve | Rückschlagsventil | 1/4" BSP inv. |
| 20 | 34061855 | | Skjøt | | | 1/4" sv. x 1/4" sv. |
| 21 | 35061880 | 1 | Slange | Hose | Schlauch | 3/8" x mm |
| 22 | 35050106 | 1 | Slange | Hose | Schlauch | 3/8" x mm |
| 23 | 34060100 | 2 | Ansatsnippel | Fitting | Ansatz | 3/8" x 3/8" |

RESERVEDELSLISTE - SPARE PARTS LIST - ERSATZTEILLISTE
9-2 **AUTO WRAP 4000**

AW4000, W8



RESERVEDELSLISTE - SPARE PARTS LIST - ERSATZTEILLISTE

AUTO WRAP 4000

4000AW-9.002
26 juni 1997

SYLINDER DRIFT CYLINDER DRIVE ZYLINDERTRIEB

| Pos | Art. Nr. | No | Beskrivelse | Description | Bezeichnung | Type - Dimension |
|-----|----------|----|---------------------------|---------------------------------|------------------------------|----------------------|
| 1 | 34041700 | 8 | Stålpakning | Tightening ring | Dichtungsring | DKAZ, 3/8" |
| 2 | 34060100 | 6 | Ansatsnippel | Fitting | Ansatz | 3/8" x 3/8" |
| 3 | 34050099 | 1 | Slange | Hose | Schlauch | 3/8" x 2130 mm |
| 4 | 34061873 | 1 | T-stykke, utv | T-piece, ext. | T-stück auss. | 3/8" |
| 5 | 34061812 | 2 | Overg.nippel, | Conversion fitting, ext./swivel | Verchraub. auss./Drehkopf | 1/4" x 3/8" |
| 6 | 34050103 | 1 | Slange | Hose | Schlauch | 1/4" x 900mm |
| 7 | 34061953 | 2 | Albu,utv./innv. m/svivel | Elbow, ext./internal w/swivel | Vinkel, aus./inn. m/Drehkopf | 90°, 1/4" x 1/4" |
| 8 | 34061803 | 2 | Ansatsnippel | Fitting | Ansatz | 1/4" x 1/4" |
| 9 | 34050102 | 1 | Slange | Hose | Schlauch | 1/4" x 1380mm |
| 10 | 34050101 | 1 | Slange | Hose | Schlauch | 1/4" x 2130mm |
| 11 | 34050097 | 1 | Slange | Hose | Schlauch | 3/8" x 2980mm |
| 12 | 34050096 | 1 | Slange | Hose | Schlauch | 3/8" x 2480mm |
| 13 | 34061809 | 2 | Ansatsnippel | Fitting | Ansatz | 3/8" x 1/2" |
| 14 | 35050069 | 1 | Slange (retur) | Hose (return) | Schlauch (Rücklauf) | 1/2" x 2000mm |
| 15 | 34082900 | 1 | Tilbakeslagsventil | Non-return valve | Rückschlagsventil | 1/2" |
| 16 | 34041800 | 2 | Stålpakning | Tightening ring | Dichtungsring | DKAZ, 1/2" |
| 17 | 34072800 | 1 | Hurtigkobling, hann, lang | Quick coupling, male, long | Schnellkupplung Männchen | ISO, 1/2" |
| 18 | 34072900 | 1 | Støvhetta, blå (retur) | Dust cap, blue (return) | Staubdeckel,Blau (Rücklauf) | ISO, 1/2" |
| 19 | 34050068 | 1 | Slange (trykk) | Hose (pressure) | Schlauch (Druck) | 1/2" x 2000mm |
| 20 | 34073000 | 1 | Støvhetta, rød (trykk) | Dust cap, red (pressure) | Staubdeckel,Rot (Druck) | ISO, 1/2" |
| 21 | 34087671 | 2 | Spak, bøyd | Levers, bent | Händel, verbogen | 250 Dinofil UN411476 |
| 22 | 34087672 | 2 | Spak, bøyd | Levers, bent | Händel, verbogen | 290 Dinofil UN411477 |
| 23 | 34670154 | 1 | Brakett, ventilspaker | Bracket for valve levers | Brakett, Ventil händel | |
| 24 | 34230300 | 4 | Mutter, lås | Nut, lock | Schließmutter | M6 |
| 25 | 34119109 | 1 | Skrue, pinne | Bolt, | Schraube | M6 x 190mm |
| 26 | 34110092 | 2 | Skrue | Bolt | Schraube | M6 x 10 mm |
| 27 | 34970364 | 1 | Skilt | Sign | Schild | |