



# Tanco Autowrap 2015 Produkt Upgrades & Eigenschaften

VariWrap & AutoWrap

# VariWrap

Professionelle Series



VariWrap S200

# AutoWrap

Erschwingliche Series



AutoWrap S100





VariWrap L300

## L-Series

Eine Neues Wicklesystem

Leichter & Mehr Effizient

# S-Series Ballen Laden



Drive Rollers  
Wickelposition

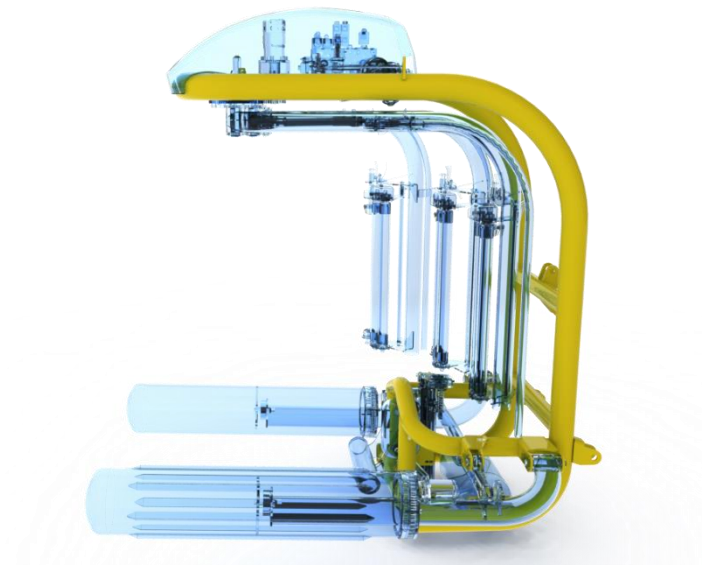
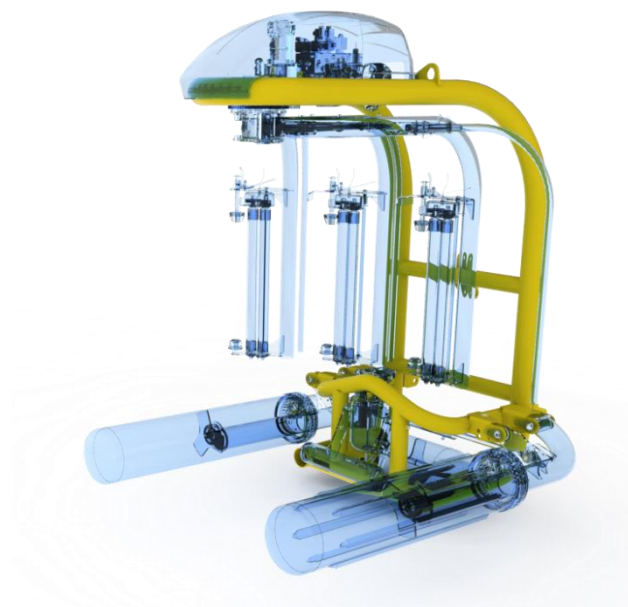


Drive Rollers  
Laden und Entladung Position

# VariWrap Integrierte Chassis

Einziges Rohrrahmen

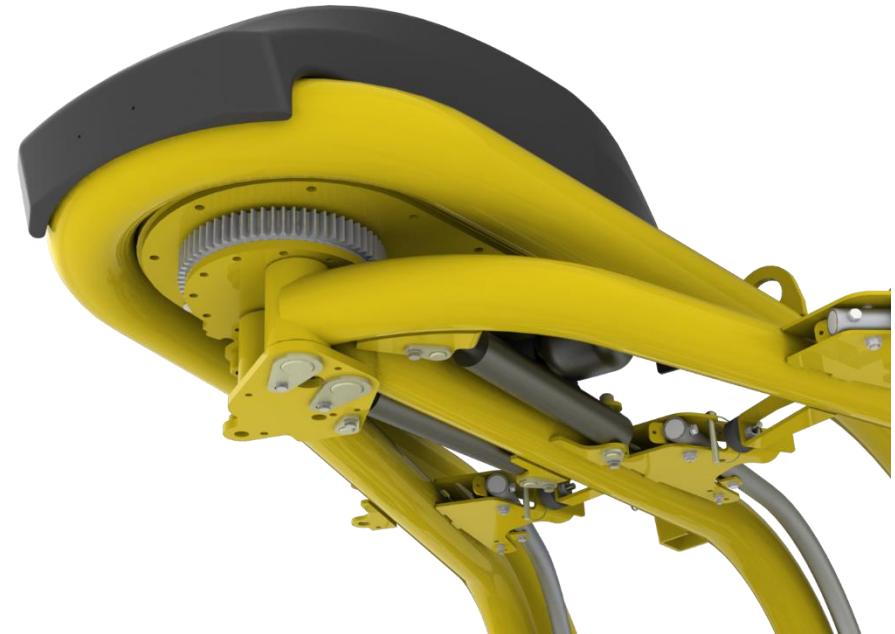
Leicht & Stark



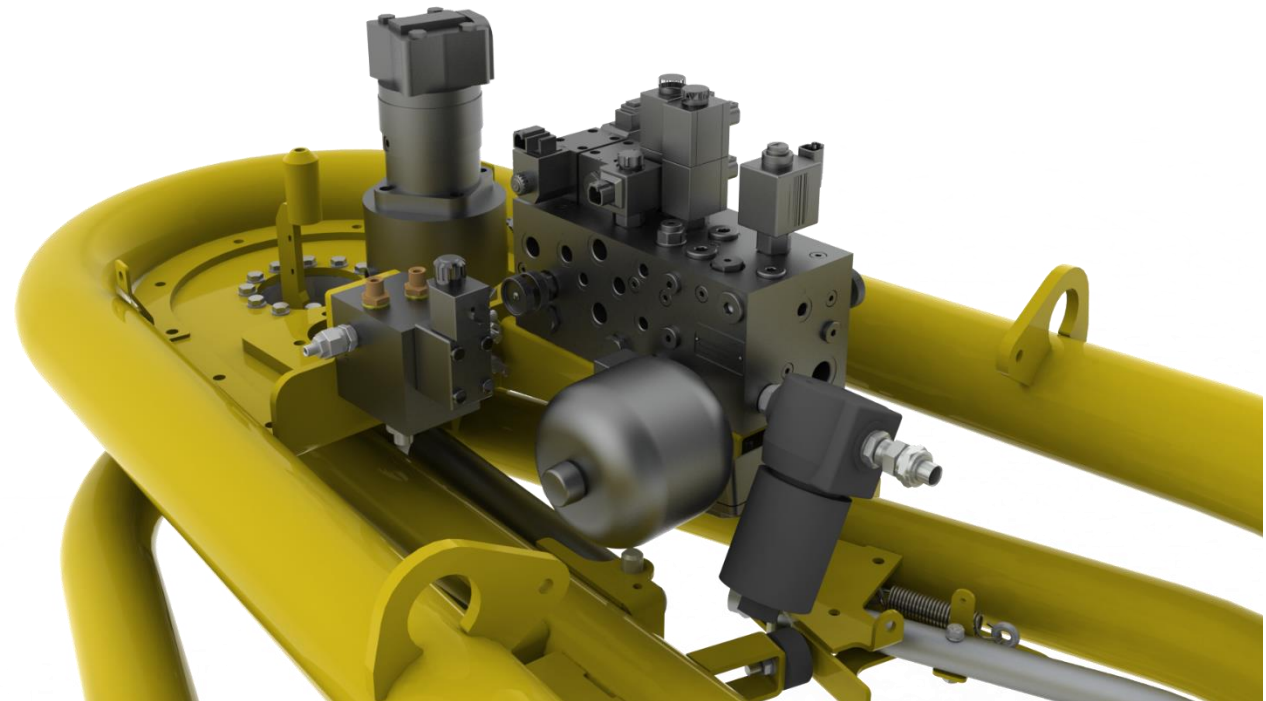
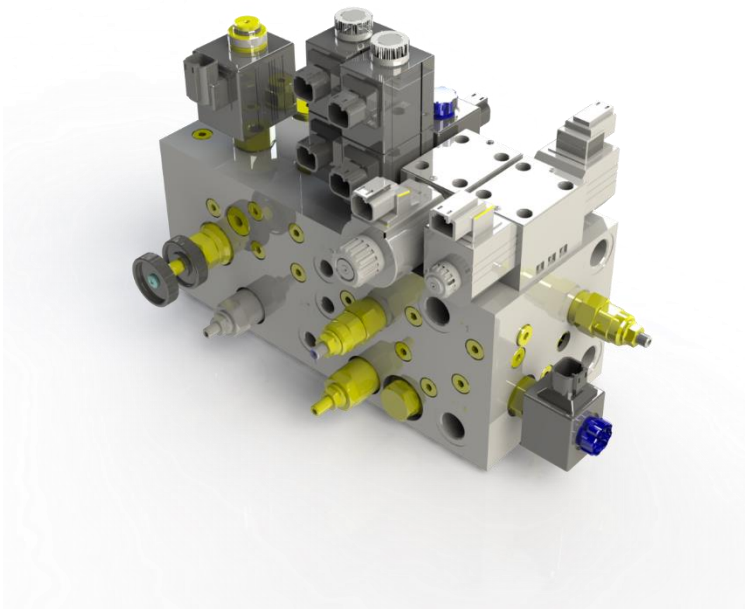
# Direkt Wickel-Arm Antrieb

Reibungslos Betrieb

Weniger Wartung

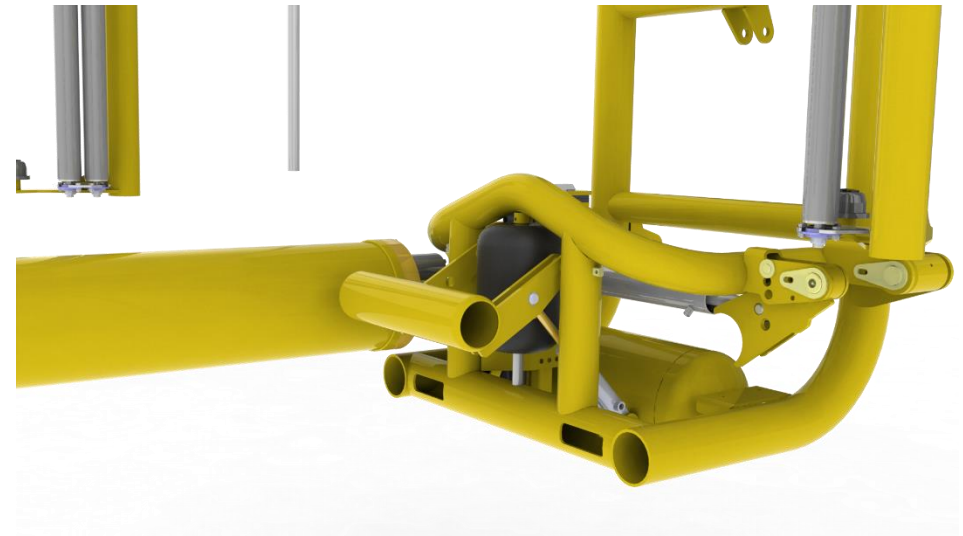


Einziges Hydraulikblock  
Proportionalregulung  
Am Turm positioniert – Einfach Zugriff



# Neue End Spitze

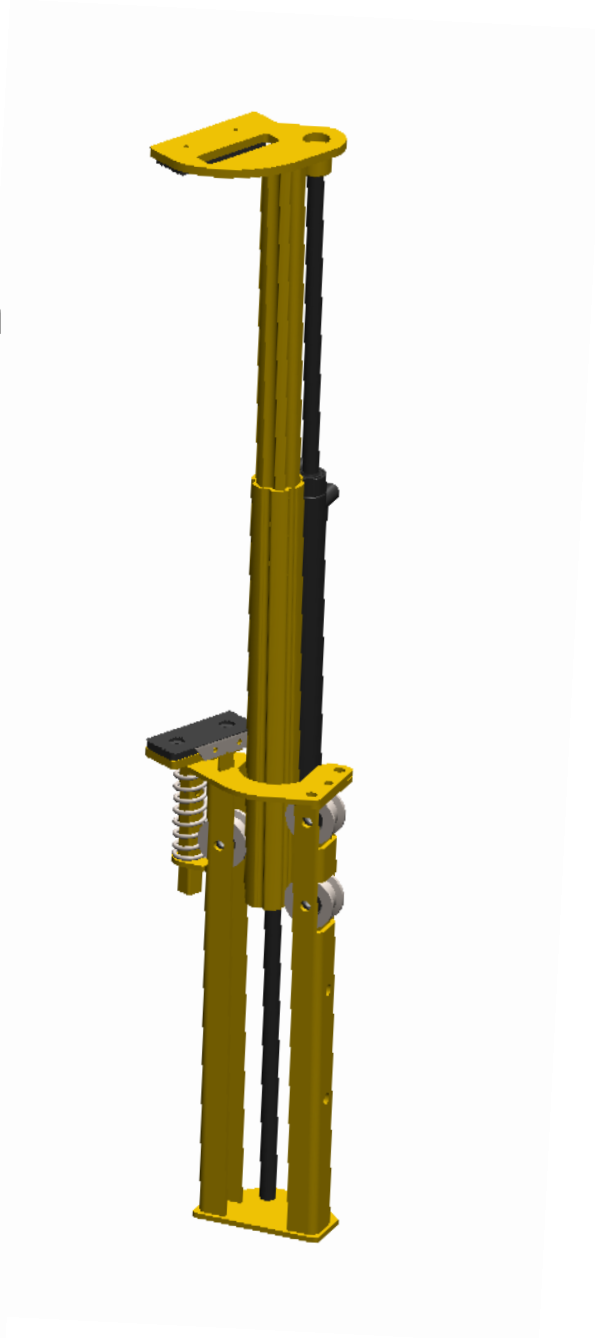
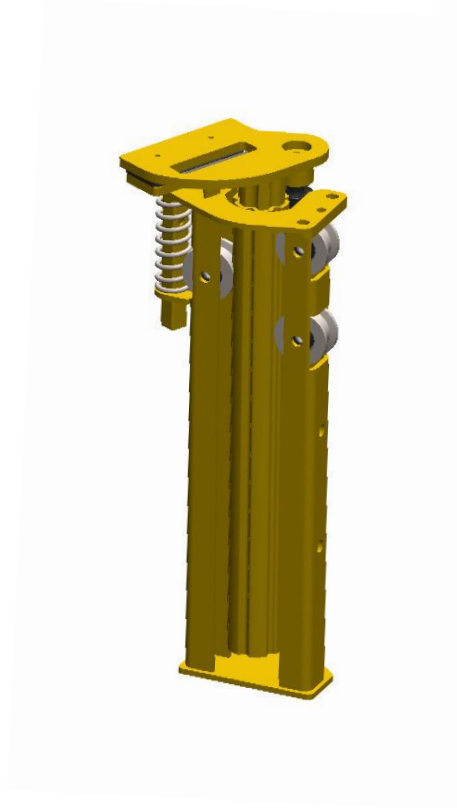
Vereinfachtes gemacht





# Neu Cut & Start

Widerstandsfähig in Design



# VariWrap

## Our Most Advanced Wrapping System Yet!

The VariWrap Series is Tanco's most advanced wrapper yet. It replaces its extremely popular predecessor the 1320EH. Aimed at professional operators, where reliability, output and ease of use are paramount. The VariWrap Series sees the introduction of innovative production methods. Reduced processing times, part counts and overall machine weight. Yet increased stability, operational efficiencies and lifetime of the machine.

- **Twin or Tri Arm Dispensers**

The S-Class' innovative configuration allows for an interchangeable Twin Arm (VS200) or Tri Arm (VS300) Dispenser. Users can graduate from a Twin Arm to the Tri Arm with a simple kit.

- **Proportional Hydraulic Control**

Tanco demonstrates its commitment to reliable and efficient wrapping with the introduction of Proportional Hydraulic Control. This allows for incremental speed adjustment, ensuring a more smooth and consistent wrapping operation.

- **Single Hydraulic Block**

All functions of the wrapper are controlled through a Single Hydraulic Block, located on top of the tower. The 'Block' is easily accessed for maintenance and kept away from debris avoiding damage and contamination.

- **Direct Wrap Arm Drive**

The Wrap Arms are now directly driven with a Slew Ring configuration again ensuring a reliable, smooth and consistent wrapping operation.

- **Telescopic Cut & Start**

Cutting and holding the plastic film is a crucial element of the wrapping process and Tanco's unique Telescopic Cut & Start is our most reliable and robust to date. The unit extends to beyond twice its closed state and gathers the film into a rope ensuring that it does not tear once the cycle begins again.

- **The RDS Expert Plus Controller**

The large read-out display ensures efficient information feedback and timely data input.

- **Hydraulic End-Tip**

The S-Class has a simple and effective Hydraulic End-Tip as an option.

- **Hydraulic Top Link**

Difficult misshaped bales are now easily managed with the Hydraulic Top Link as an optional extra. This ensures bales do not 'cork-screw' off the end of the drive rollers. The Top Link function is integrated into the wrapping cycle and holds bales in place.

## VariWrap S300 Twin Arm Dispenser



## VariWrap L300 Forward Drive



# ***AutoWrap S-Class***

## ***Simply - Affordable Quality!***

The AutoWrap Series bring true affordability to Tanco's range. An economical wrapper that gives our customers everything they have come to expect from a Tanco wrapper, with ease of use, quality build and innovative design.

Taking many of the design features from its big brother (VariWrap) the Autowrap S100 boasts a lightweight, yet solid frame. Using Tanco's existing EH Electro-Hydraulic System, the AutoWrap S100 has proven components for assured reliability.

- **Single Arm Dispenser**

The AS100 has a single Tanco Satellite Dual Stretch Dispenser.

- **Direct Wrap Arm Drive**

The Wrap Arms are now directly driven with a Slew Ring configuration again ensuring a reliable, smooth and consistent wrapping operation.

- **Telescopic Cut & Start**

Cutting and holding the plastic film is a crucial element of the wrapping process and Tanco's unique Telescopic Cut & Start is our most reliable and robust to date. The unit extends to beyond twice its closed state and gathers the film into a rope ensuring that it does not tear once the cycle begins again.

- **The RDS Expert Plus Controller**

The AS100 is a Fully Automatic machine. RDS Expert Controller manages all elements of the wrapping cycle and offers the Option of Remote Control.

- **Hydraulic End-Tip**

The AS100 has a simple and effective End-Tip system as an optional extra.

- **Hydraulic Top Link**

Difficult misshaped bales are now easily managed with the Hydraulic Top Link as an optional extra. This ensures bales do not 'cork-screw' off the end of the drive rollers. The Top Link function is integrated into the wrapping cycle and holds bales in place.

